



MAXLOC

Installation Manual

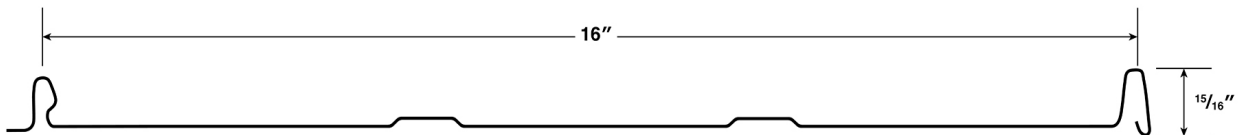




Table of Contents

MaxLoc Standing Seam Roof Panel Details

	<u>Detail Number</u>
Extended Eave.....	1.0
Extended Eave with Gutter.....	2.0
Extended Eave Lap.....	3.0
Flush Eave.....	4.0
Drip Edge Gable.....	5.0
Box Gable.....	6.0
Valley.....	7.0
W-Valley.....	8.0
Side Wall with Surface Mount Counter Flashin	9.0
Side Wall with Reglet Counter Flashing	10.0
High Wall with wall Panel Sill.....	11.0
High Wall with Surface Mount Counter Flashing.....	12.0
High Wall with Reglet Counter Flashing.....	13.0
High Wall Trim Lap.....	14.0
Hip and Ridge Cap.....	15.0



Hip and Ridge Cap Lap.....	16.0
Peak /High side Eave.....	17.0
Gambrel Roof Transition.....	18.0
Slope Transition.....	19.0
Slope Transition at Membrane Roofin	20.0
Curb Detail Steps 1 through 6	21.0
Pipe Penetration.....	22.0
Pipe Penetration through SS Rib.....	23.0
Zee Closure Installation.....	24.0
Panel End, Field Hem.....	25.0

Individual Trim Drawings by Trim Description (These sheets can be used to order the particular trim indicated on the page, to include, quantity, Color, and Metal Gauge. There is also a blank page to use in the event a trim has to be custom made.

MaxLoc Standing Seam Roof Panel Trims

- Extended Eave
- 5" Gutter
- Extended Gable
- Box Gable
- Valley
- W-Valley
- SideWall
- Sill
- Surface Mount Counter Flashing
- Reglet Counter Flashin
- Hip and Ridge
- Peak /High Side Eave
- Peak Cleat



Gambrel Transition
Slope Transition
Slope transition at Membrane Roof
Zee Closure
Offset Cleat
Fascia Cleat

MaxLoc Custom Trim Sheet (for use if custom trim is required)

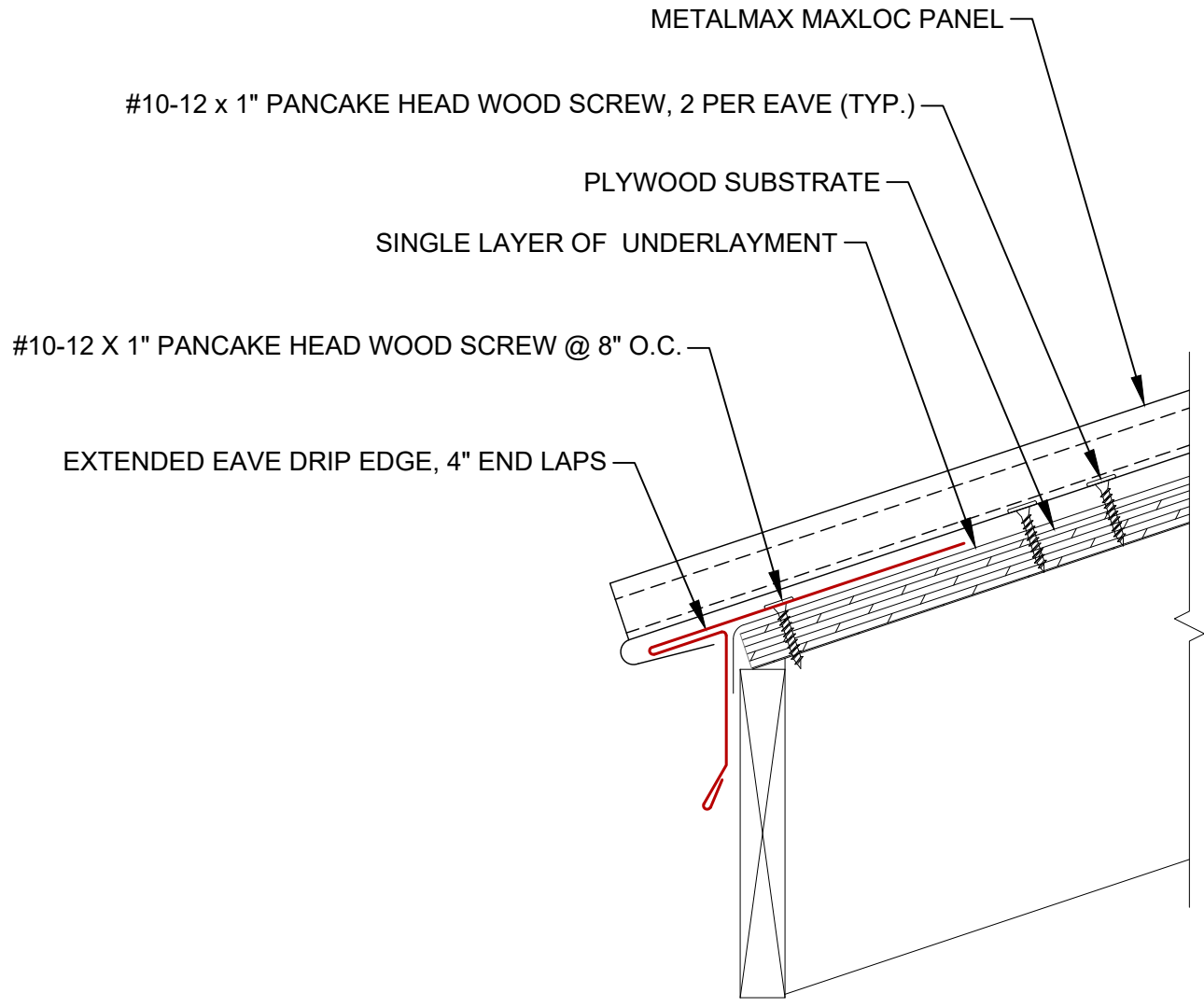
Custom Trim Sheet





MaxLoc Standing Seam Roof Panel Details



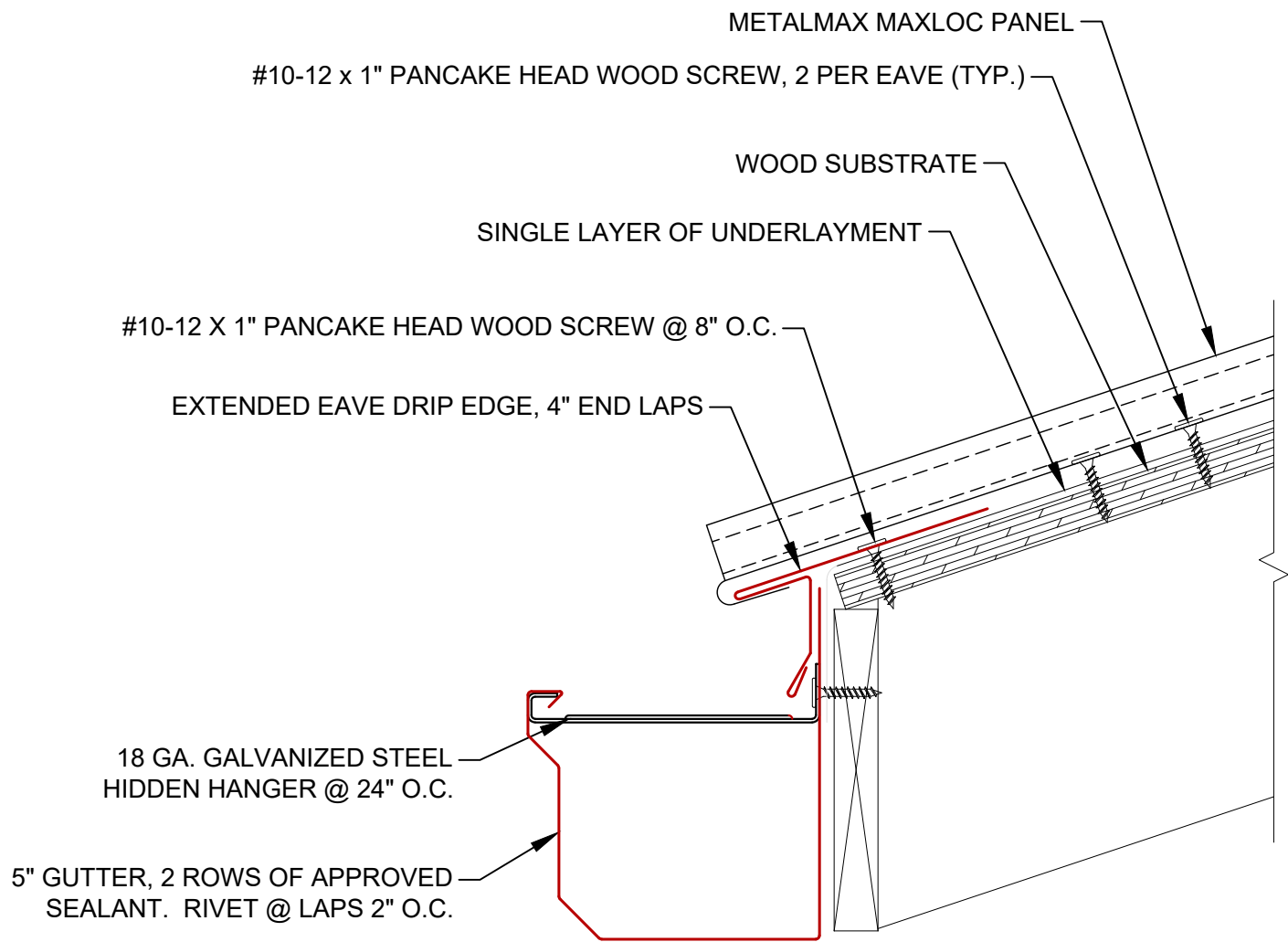


NTS = NOT TO SCALE



Description:		<h2>MaxLoc Extended Eave Detail</h2>
Substrate:	Detail No.:	
Plywood		

MetalMax Roofing and Siding
 900 Captain Joe Fulghum Dr.
 Murfreesboro, TN 37129
 (615)494-1693
 www.MetalMax.com



NTS = NOT TO SCALE

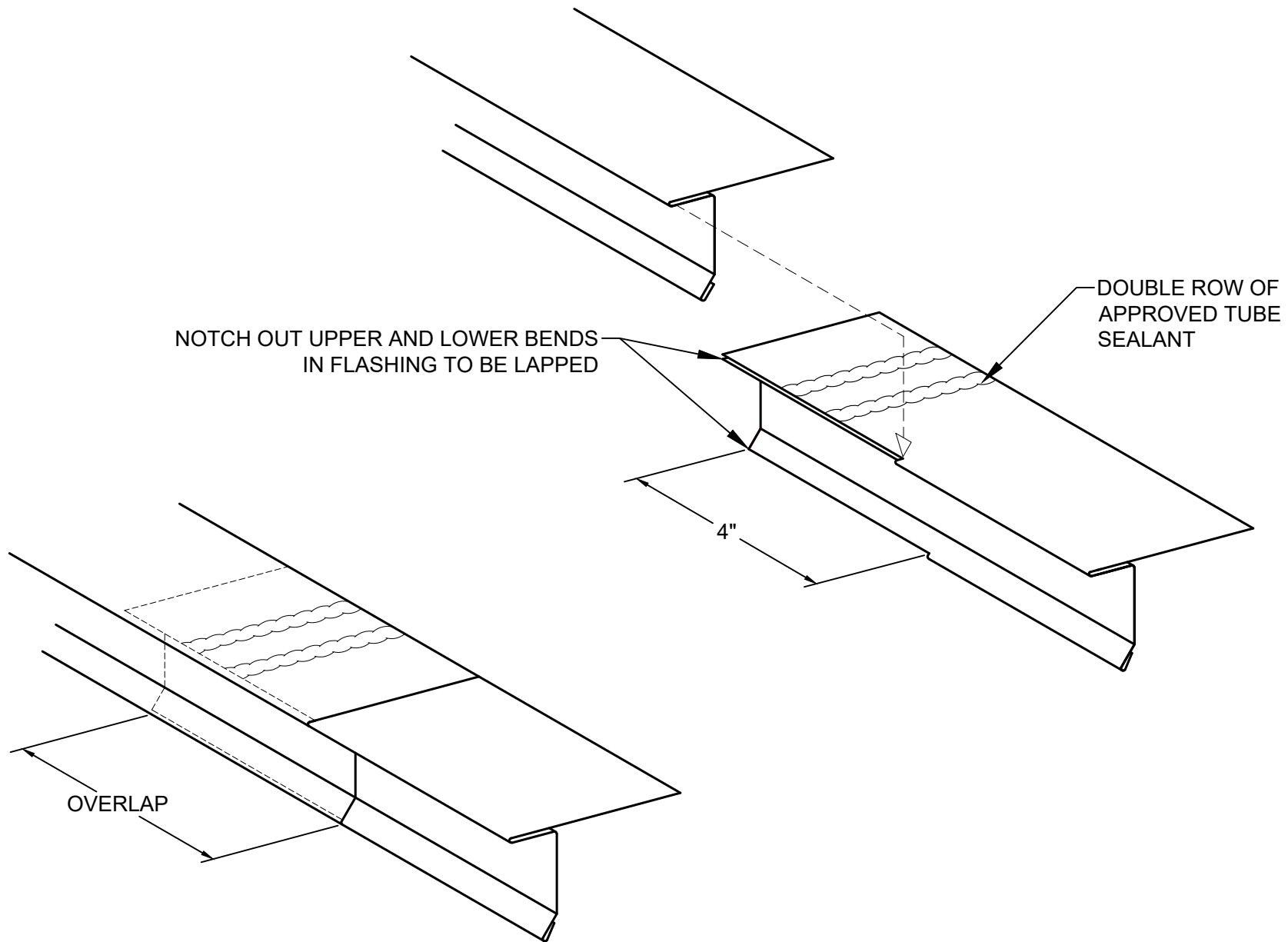


Description: **MaxLoc Extended Eave with Gutter**

Substrate: **Plywood**

Detail No.:

MetalMax Roofing and Siding
 900 Captain Joe Fulghum Dr.
 Murfreesboro, TN 37129
 (615)494-1693
 www.MetalMax.com



NTS = NOT TO SCALE

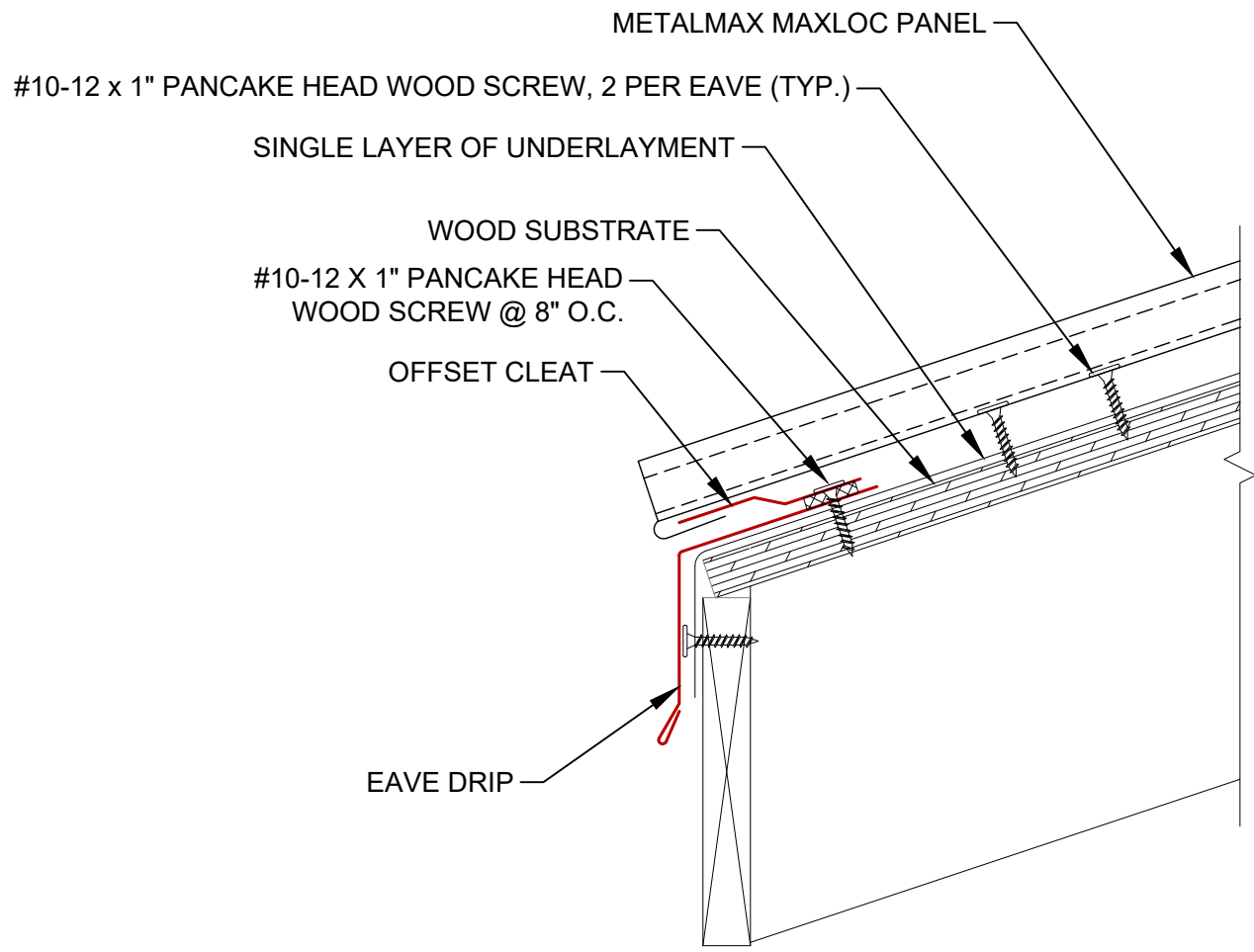


Description: **MaxLoc Extended Eave Lap Detail**

Substrate: **Plywood**

Detail No.:

MetalMax Roofing and Siding
 900 Captain Joe Fulghum Dr.
 Murfreesboro, TN 37129
 (615)494-1693
 www.MetalMax.com

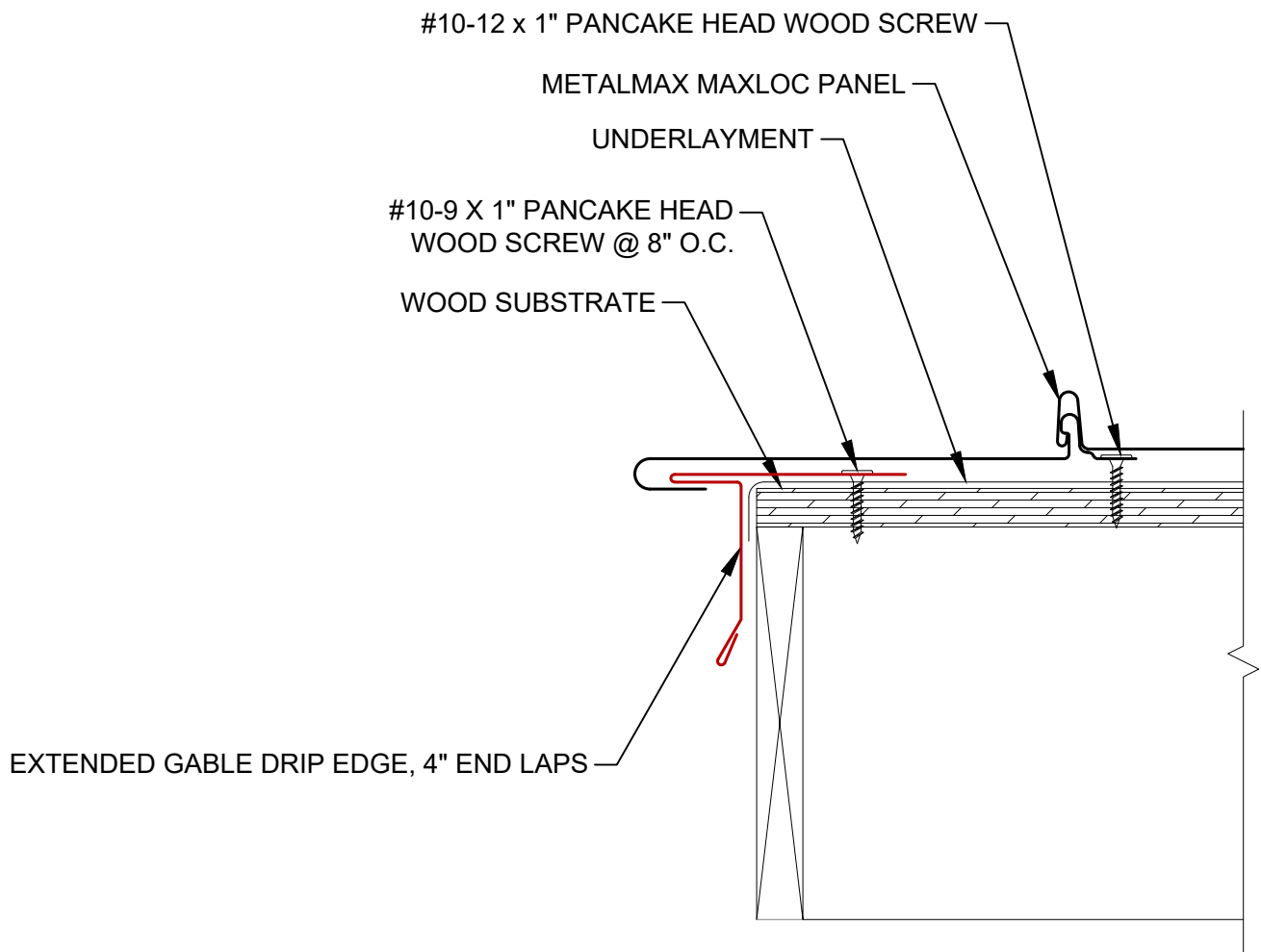


NTS = NOT TO SCALE



Description:		<h2>MaxLoc Flush Eave Detail</h2>
Substrate:	Detail No.:	
Plywood		

MetalMax Roofing and Siding
 900 Captain Joe Fulghum Dr.
 Murfreesboro, TN 37129
 (615)494-1693
 www.MetalMax.com

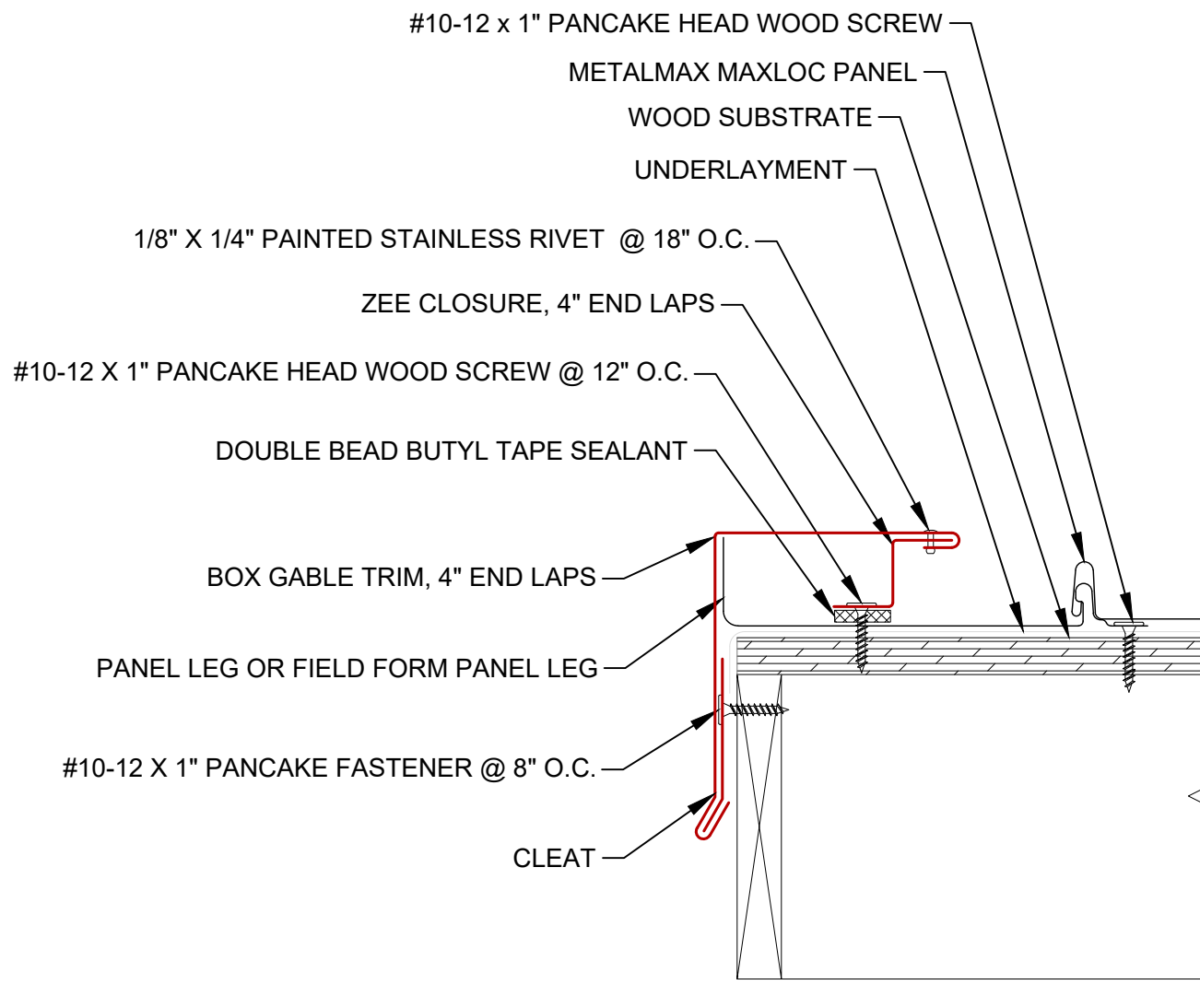


NTS = NOT TO SCALE



Description:		MaxLok Extended Drip Edge Gable Detail
Substrate:	Plywood	
Detail No.:		

MetalMax Roofing and Siding
 900 Captain Joe Fulghum Dr.
 Murfreesboro, TN 37129
 (615)494-1693
 www.MetalMax.com



NTS = NOT TO SCALE



Description:

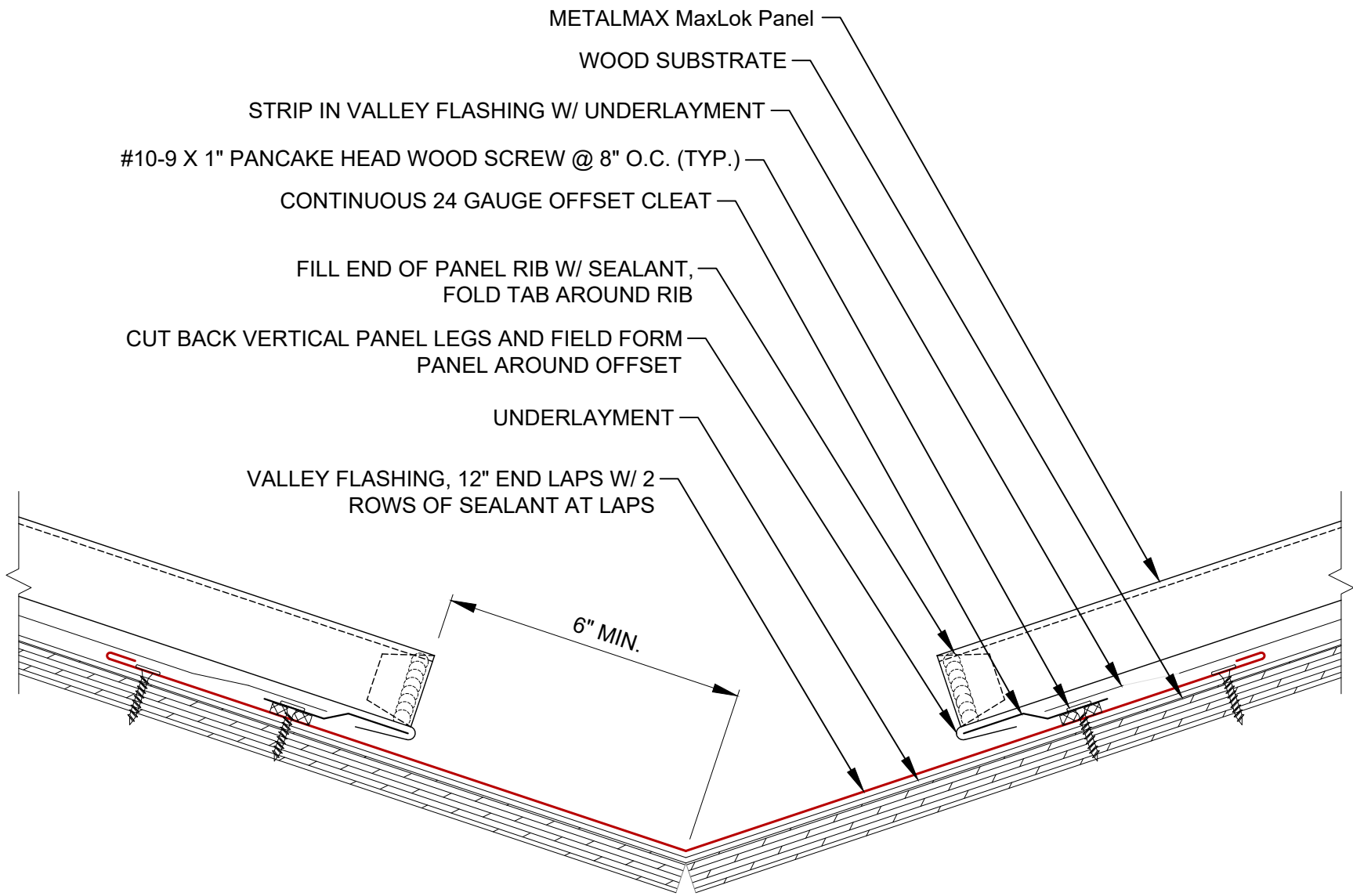
MaxLoc Box Gable Detail

Substrate:

Plywood

Detail No.:

MetalMax Roofing and Siding
 900 Captain Joe Fulghum Dr.
 Murfreesboro, TN 37129
 (615)494-1693
 www.MetalMax.com



NTS = NOT TO SCALE



Description:

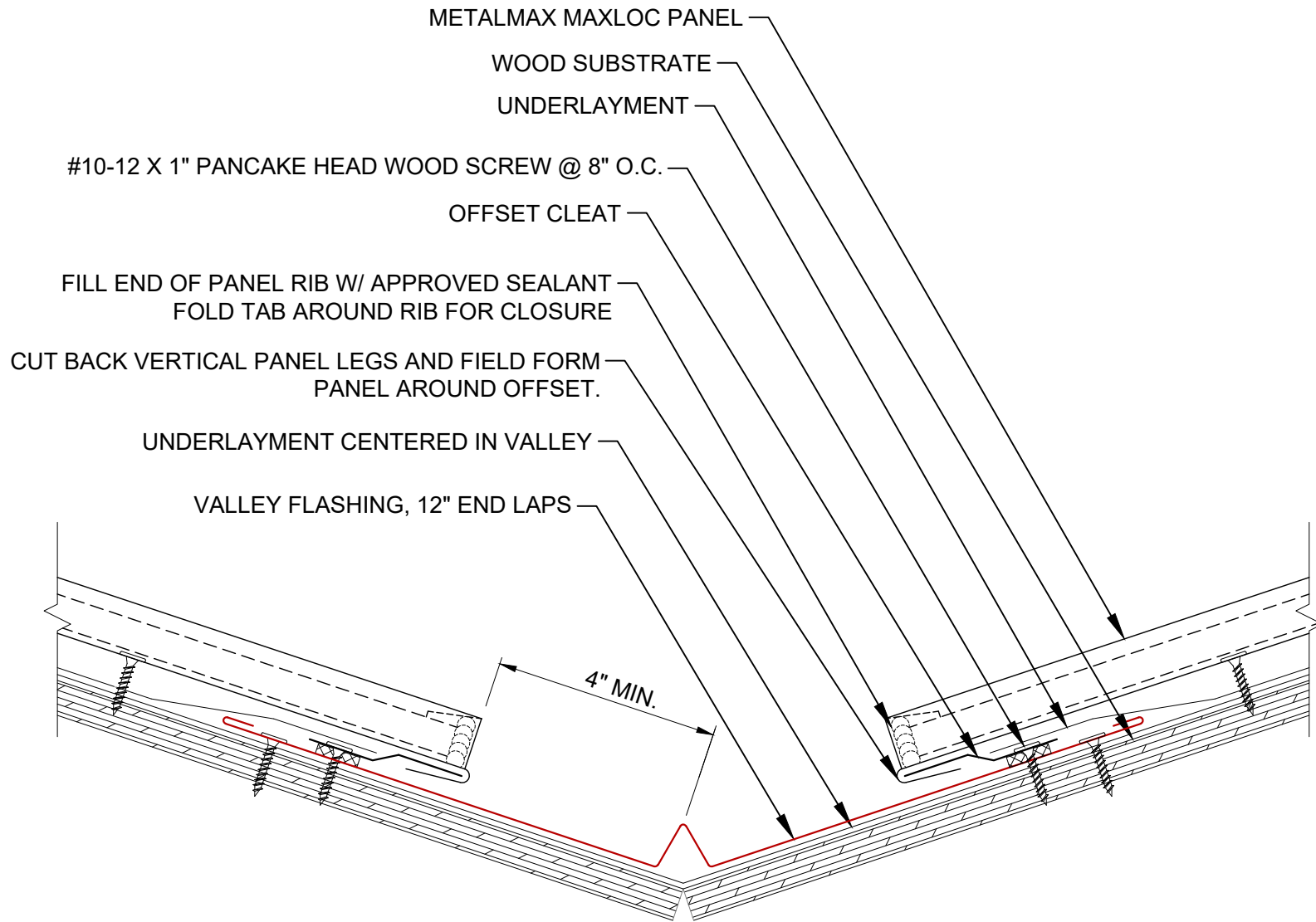
MaxLoc Valley Detail

Substrate:

Plywood

Detail No.:

MetalMax Roofing and Siding
 900 Captain Joe Fulghum Dr.
 Murfreesboro, TN 37129
 (615)494-1693
 www.MetalMax.com



NTS = NOT TO SCALE



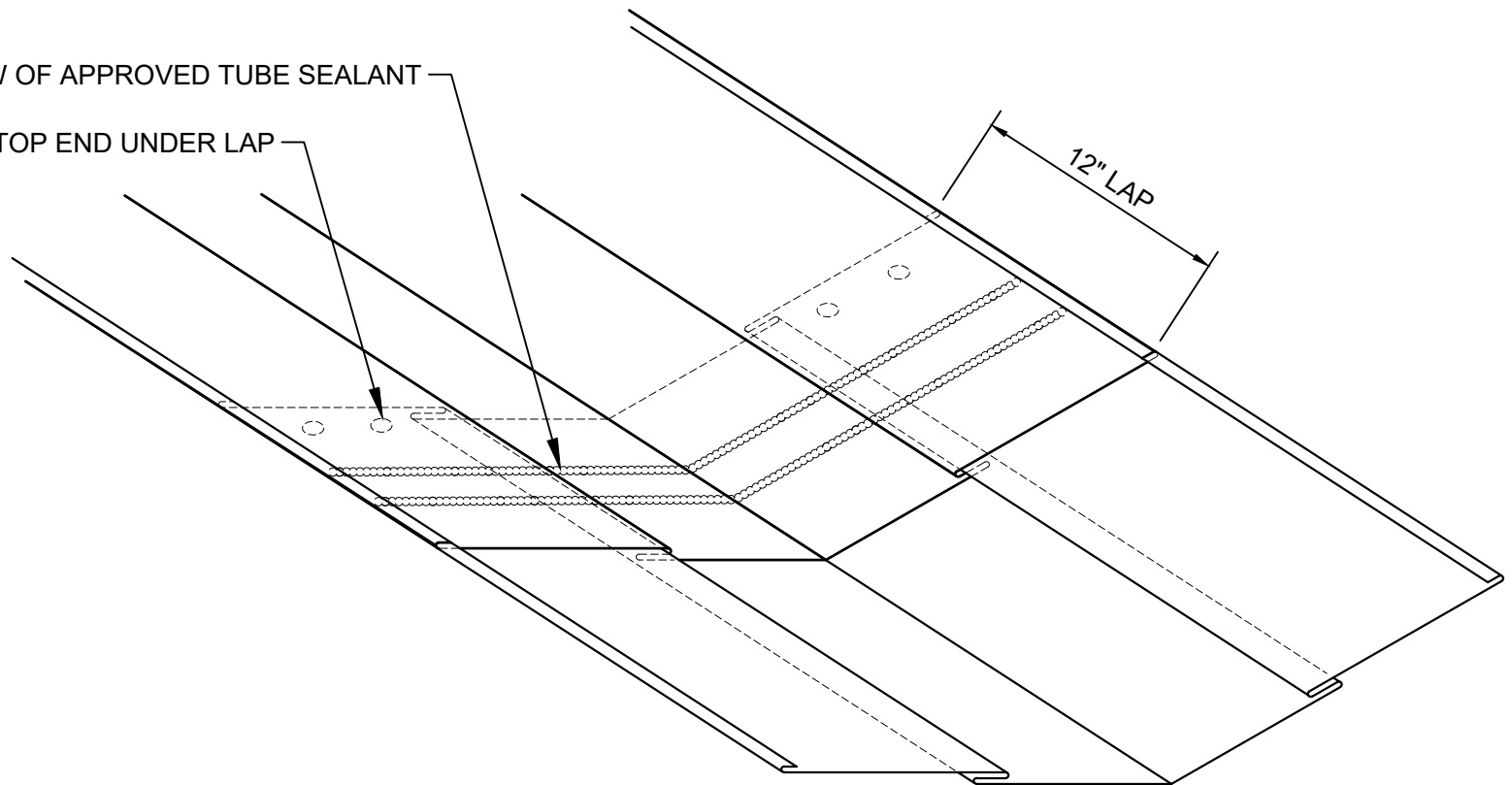
Description: **MaxLoc W-Valley Detail**

Substrate: **Plywood**

Detail No.:

MetalMax Roofing and Siding
 900 Captain Joe Fulghum Dr.
 Murfreesboro, TN 37129
 (615)494-1693
 www.MetalMax.com

DOUBLE ROW OF APPROVED TUBE SEALANT
FASTEN VALLEY AT TOP END UNDER LAP



NTS = NOT TO SCALE

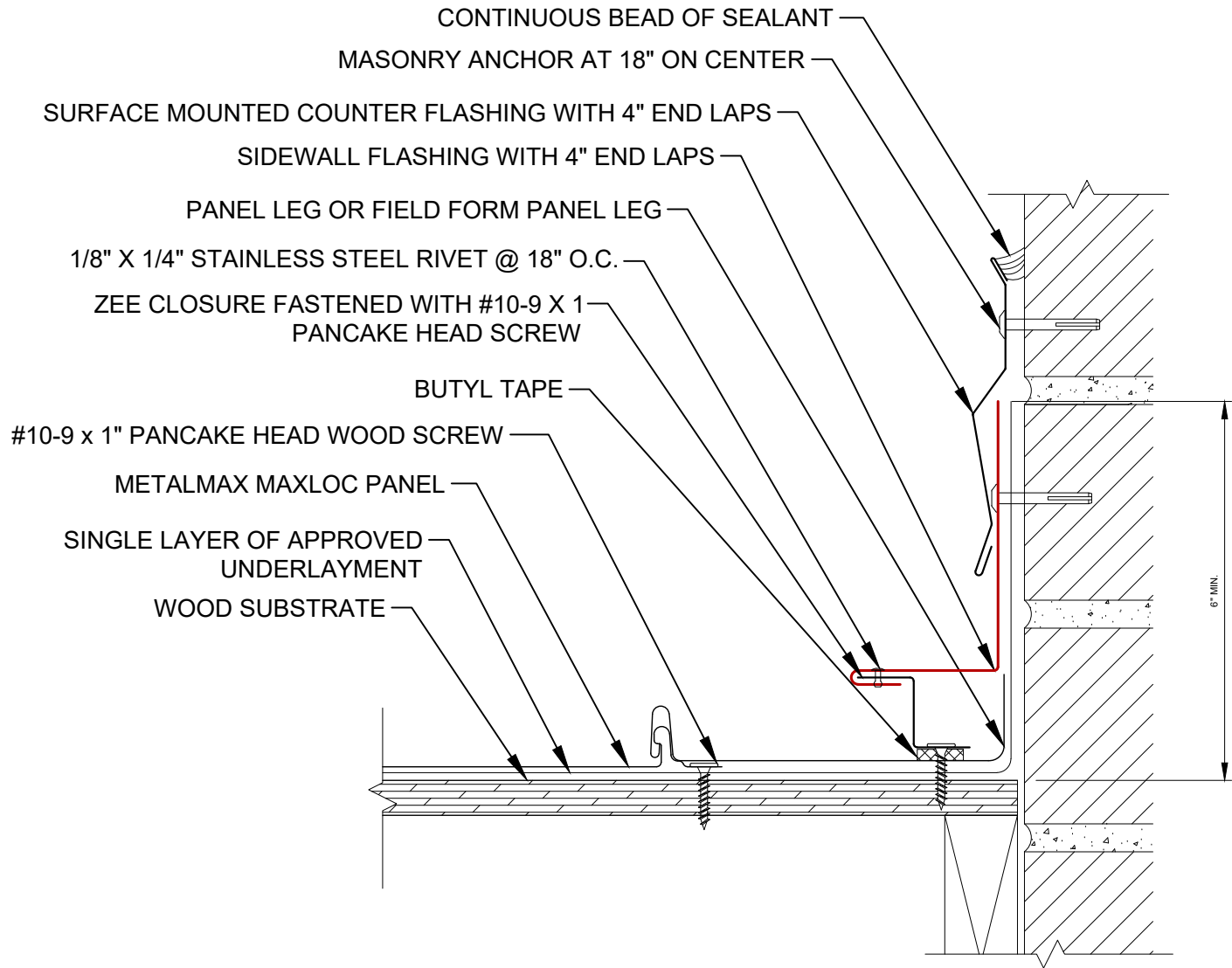


Description:
MaxLoc Valley Lap Detail

Substrate:
Plywood

Detail No.:

MetalMax Roofing and Siding
900 Captain Joe Fulghum Dr.
Murfreesboro, TN 37129
(615)494-1693
www.MetalMax.com



NTS = NOT TO SCALE

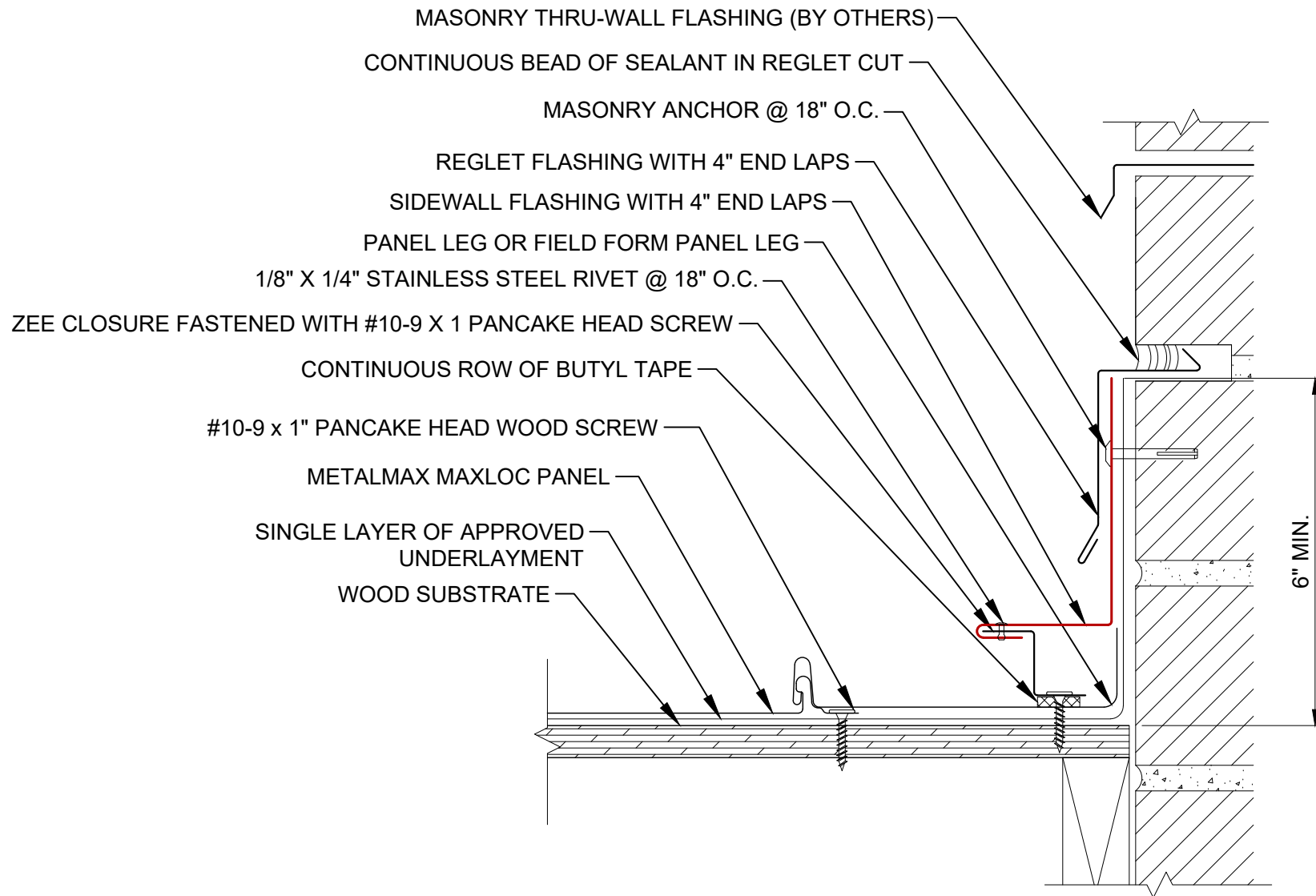


Description:
MaxLoc Side Wall with Surface Mount Counter Flashing Detail

Substrate:
Plywood

Detail No.:

MetalMax Roofing and Siding
 900 Captain Joe Fulghum Dr.
 Murfreesboro, TN 37129
 (615)494-1693
 www.MetalMax.com



NTS = NOT TO SCALE

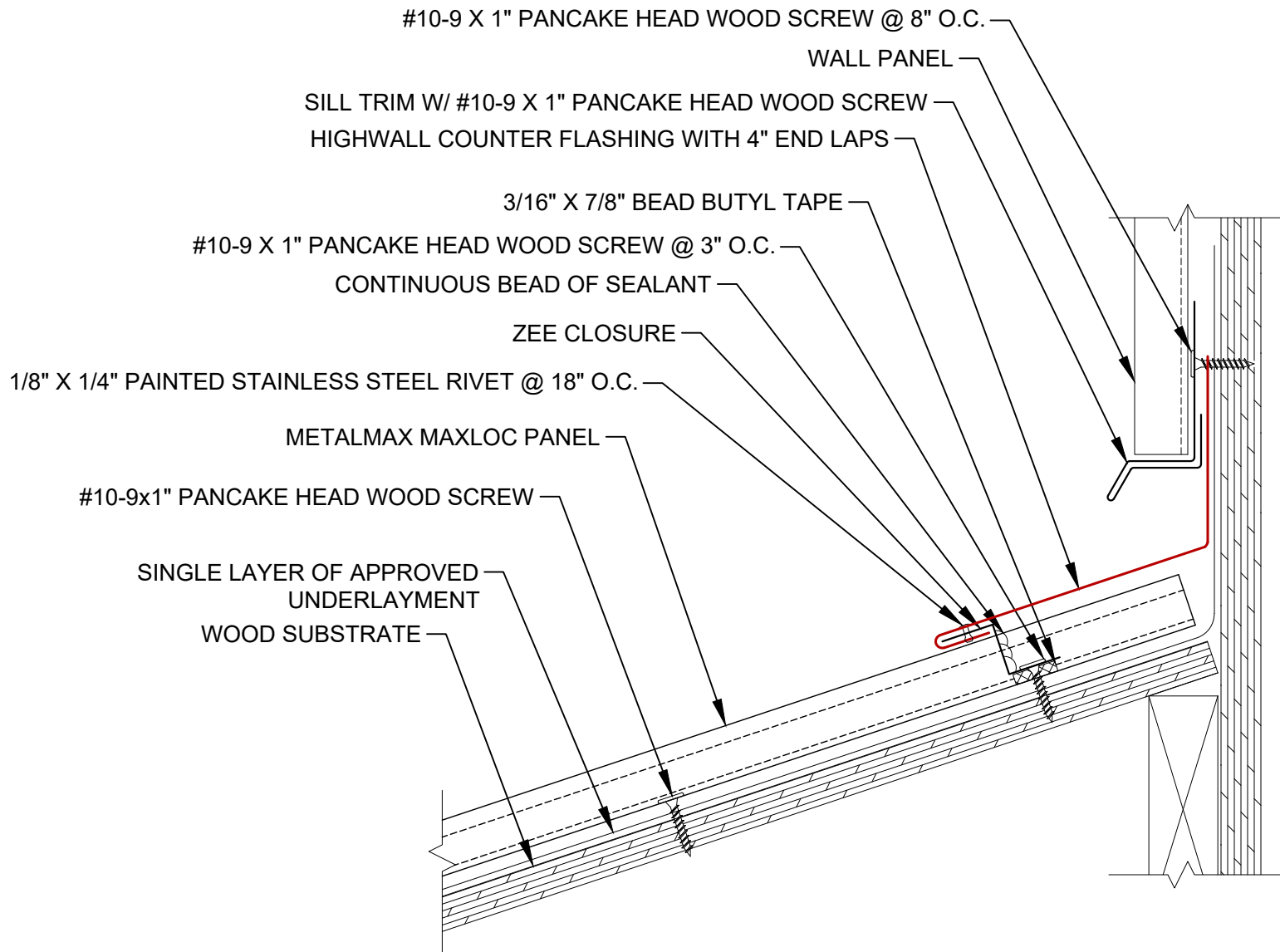


Description:
MaxLoc Sidewall with Reglet Counter Flashing Detail

Substrate:
 Plywood

Detail No.:

MetalMax Roofing and Siding
 900 Captain Joe Fulghum Dr.
 Murfreesboro, TN 37129
 (615)494-1693
 www.MetalMax.com



NTS = NOT TO SCALE



Description:

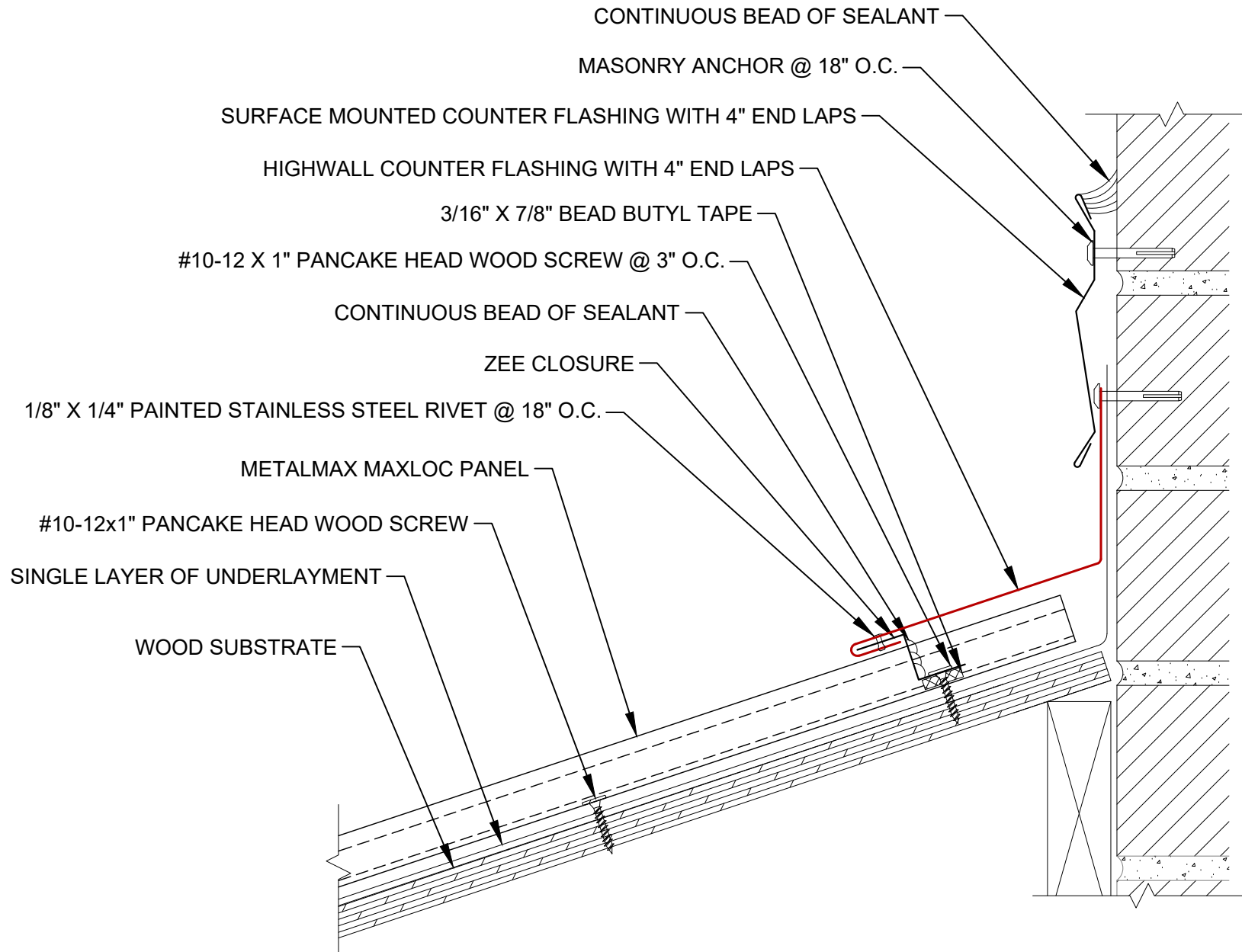
MaxLoc High Wall with Sill Detail

Substrate:

Plywood

Detail No.:

MetalMax Roofing and Siding
 900 Captain Joe Fulghum Dr.
 Murfreesboro, TN 37129
 (615)494-1693
 www.MetalMax.com



NTS = NOT TO SCALE

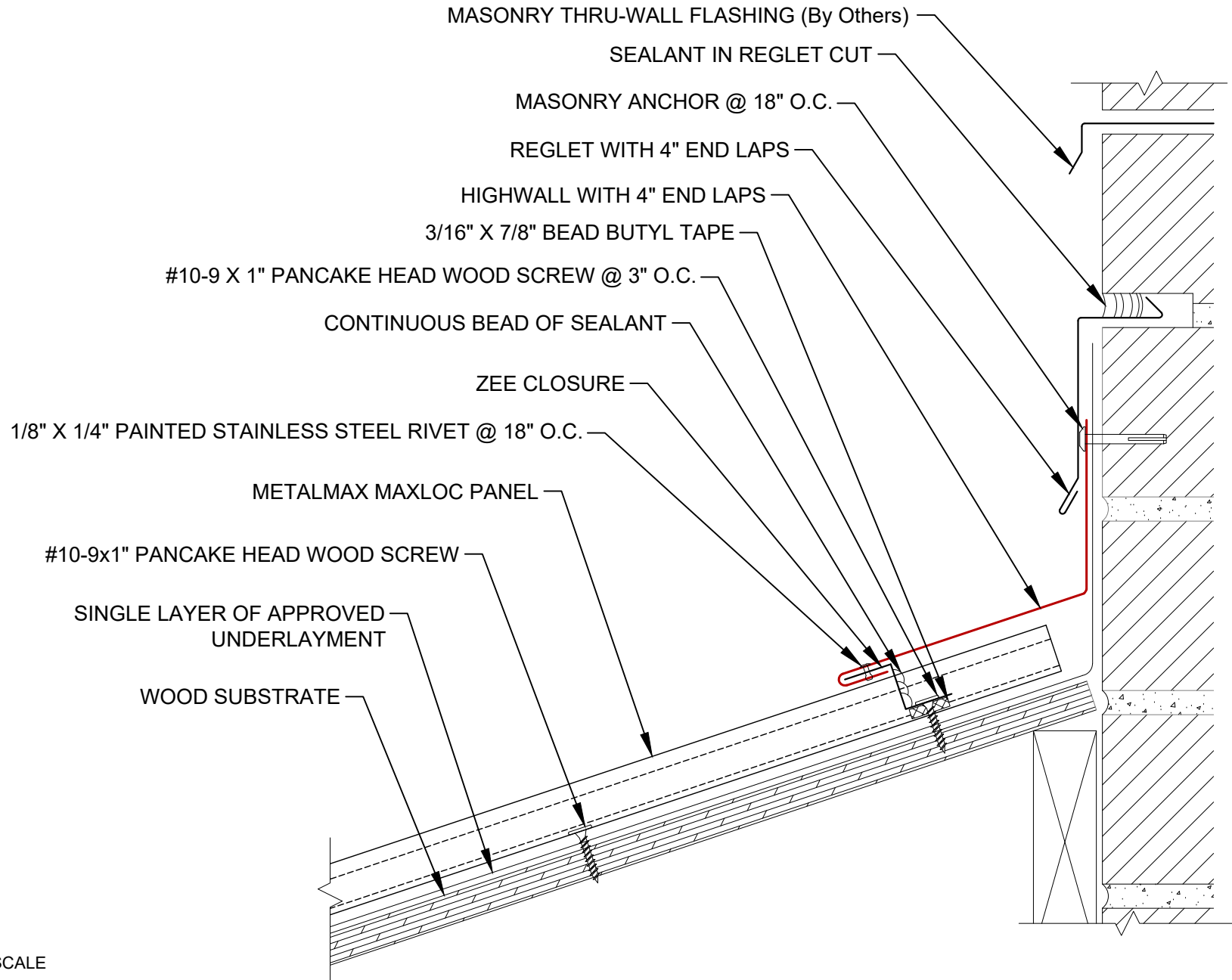


Description:
MaxLoc High Wall with Surface Mount Counter Flashing Detail

Substrate:
Plywood

Detail No.:

MetalMax Roofing and Siding
 900 Captain Joe Fulghum Dr.
 Murfreesboro, TN 37129
 (615)494-1693
 www.MetalMax.com



NTS = NOT TO SCALE

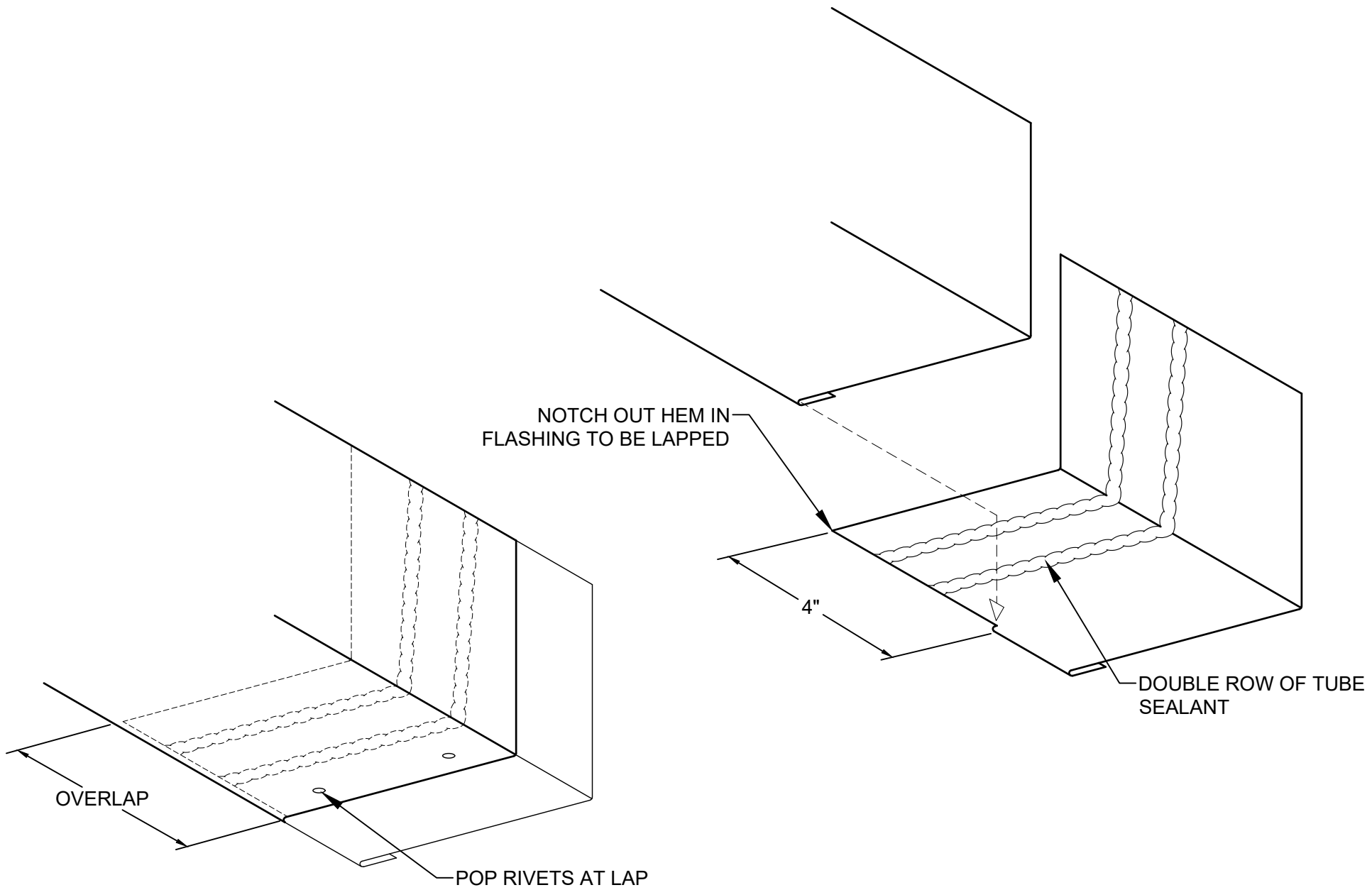


Description: **MaxLoc High Wall with Reglet Detail**

Substrate: **Plywood**

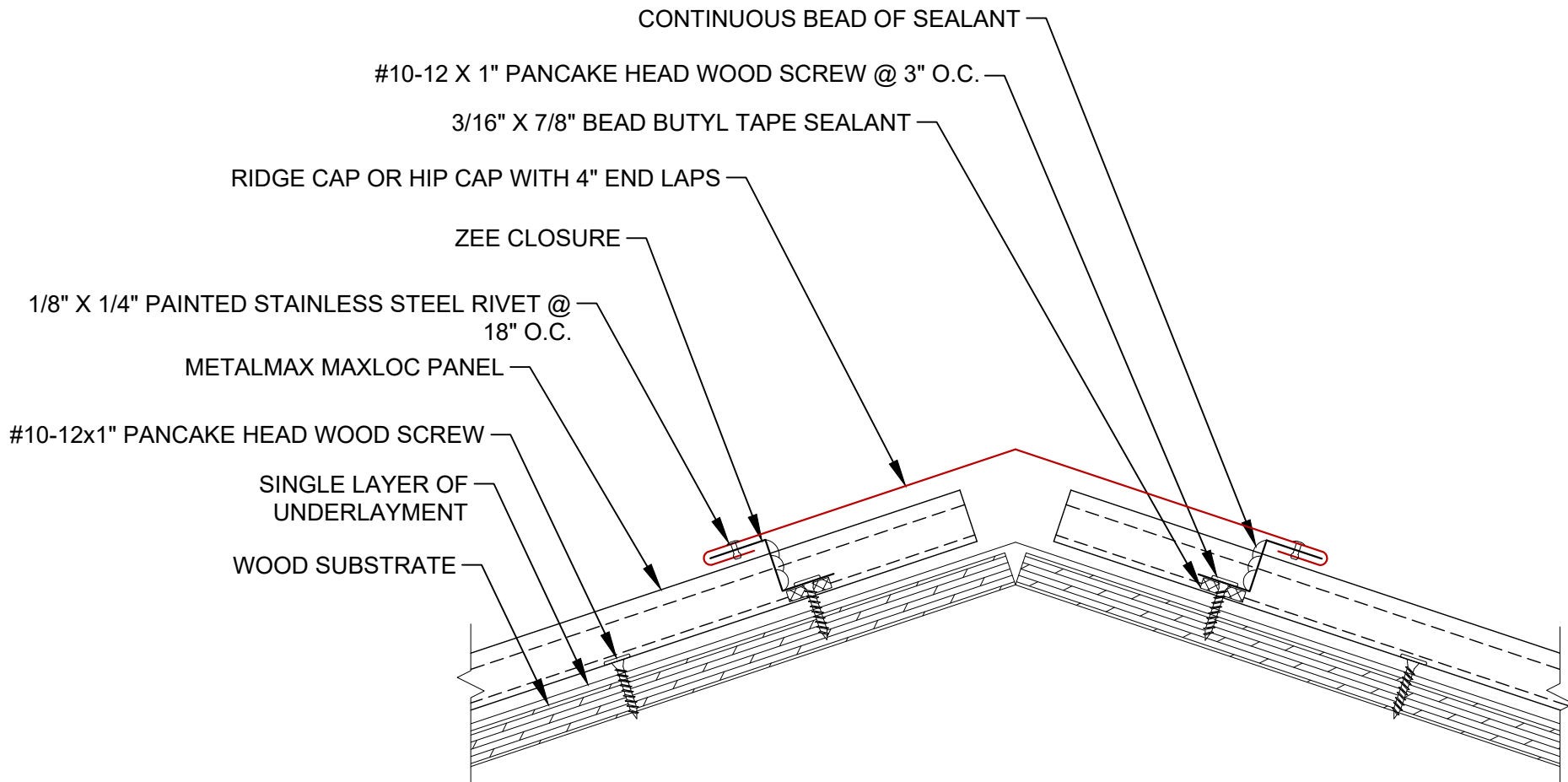
Detail No.:

MetalMax Roofing and Siding
 900 Captain Joe Fulghum Dr.
 Murfreesboro, TN 37129
 (615)494-1693
 www.MetalMax.com



Description:		MaxLoc Highwall Lap Detail
Substrate:	Detail No.:	
Plywood		

MetalMax Roofing and Siding
 900 Captain Joe Fulghum Dr.
 Murfreesboro, TN 37129
 (615)494-1693
 www.MetalMax.com

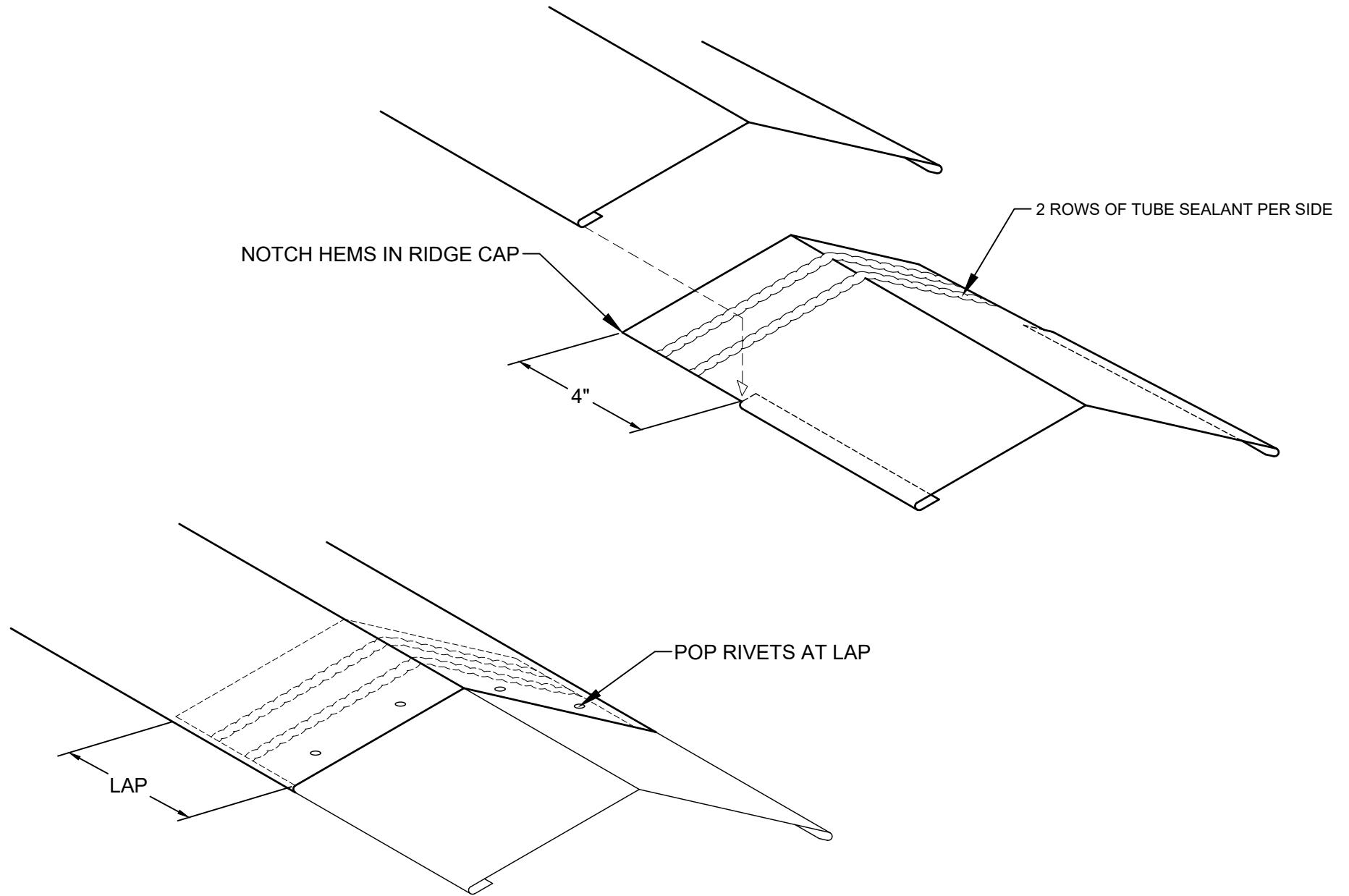


NTS = NOT TO SCALE



Description:		<h2>MaxLoc Hip and Ridge Cap Detail</h2>
Substrate:	Detail No.:	
Plywood		

MetalMax Roofing and Siding
 900 Captain Joe Fulghum Dr.
 Murfreesboro, TN 37129
 (615)494-1693
 www.MetalMax.com



NTS = NOT TO SCALE

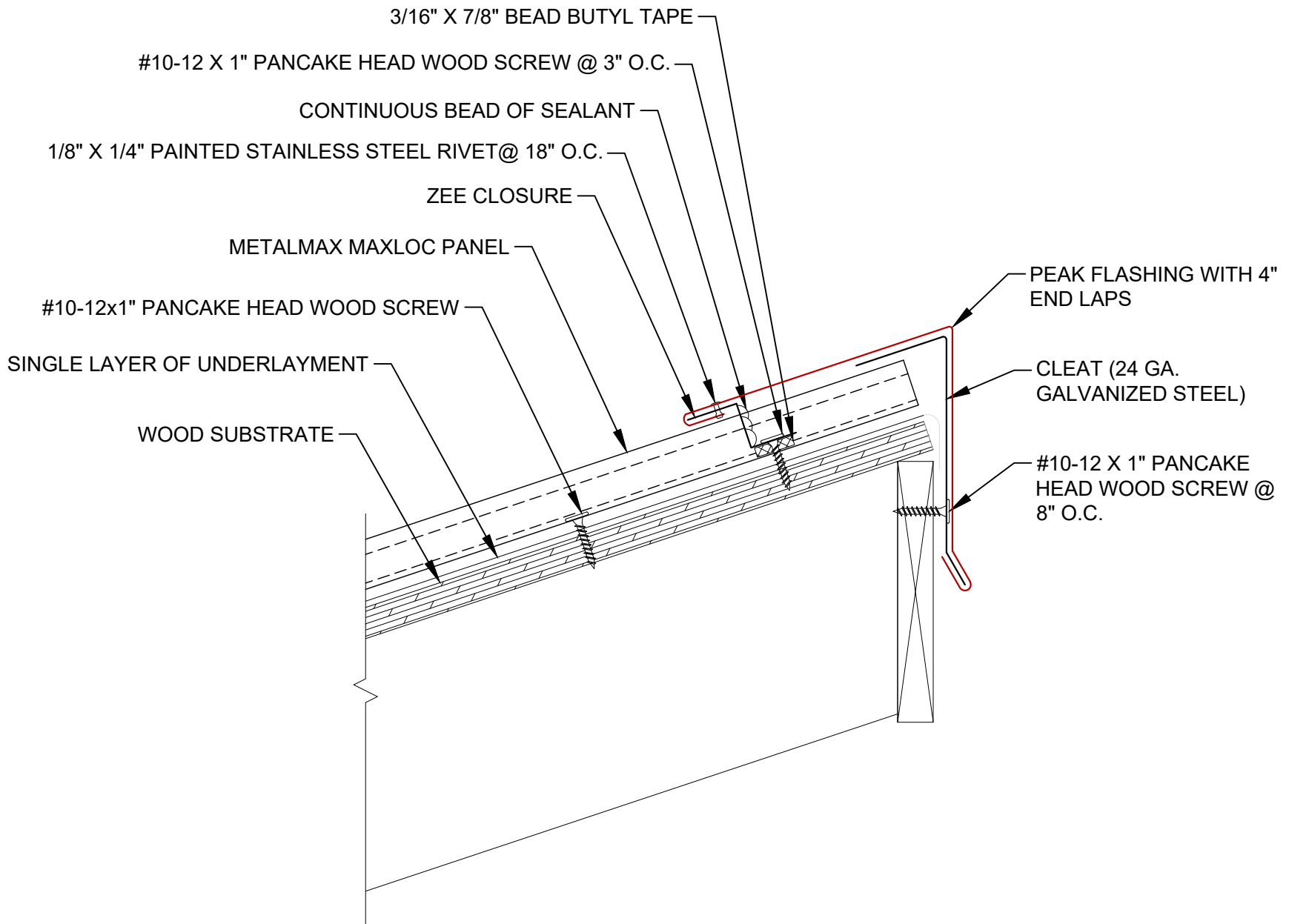


Description: **MaxLoc Ridge and Hip Lap Detail**

Substrate: **Plywood**

Detail No.:

MetalMax Roofing and Siding
 900 Captain Joe Fulghum Dr.
 Murfreesboro, TN 37129
 (615)494-1693
 www.MetalMax.com



NTS = NOT TO SCALE

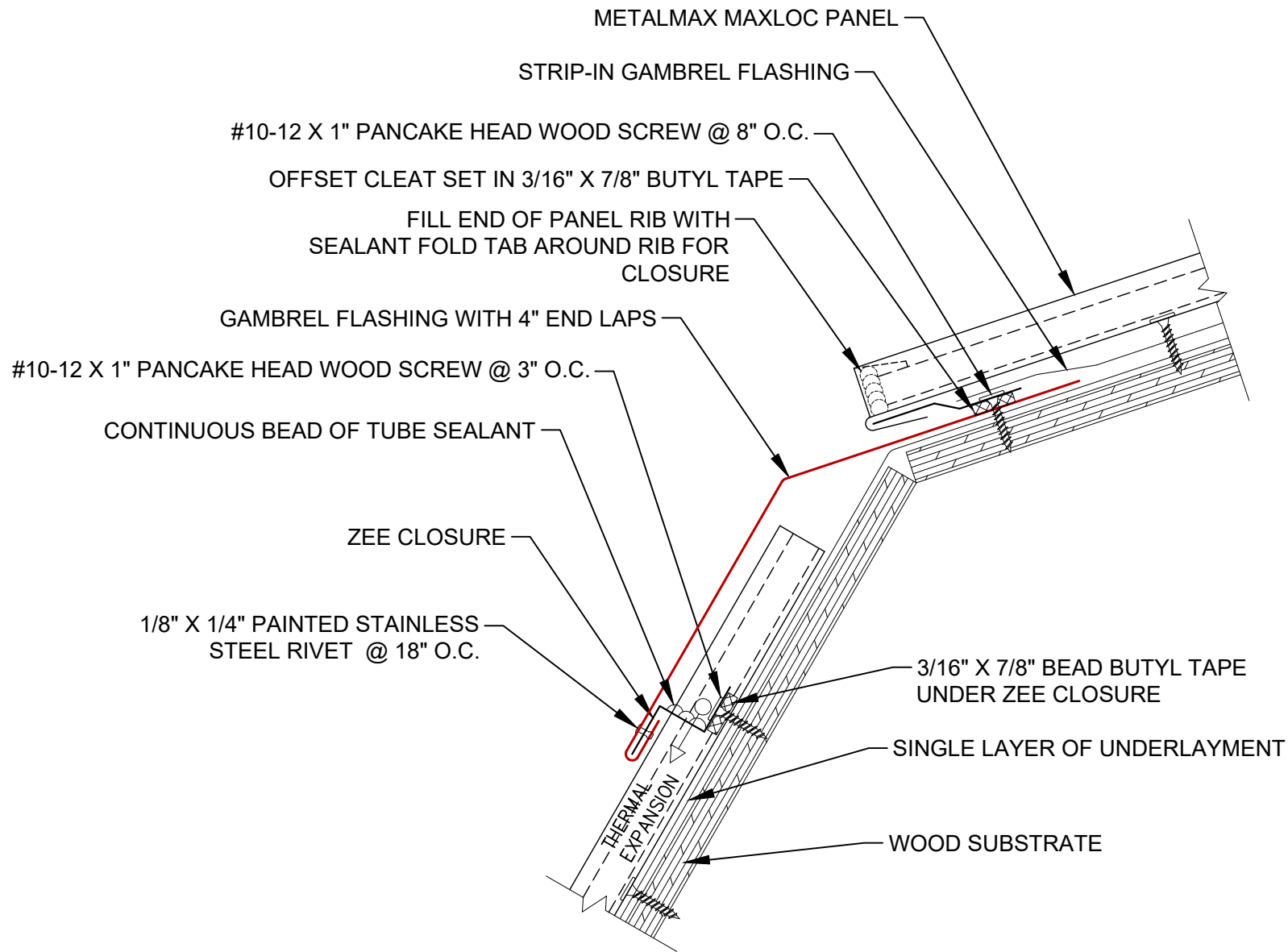


Description: **MaxLoc Peak / High Side Eave Detail**

Substrate: **Plywood**

Detail No.:

MetalMax Roofing and Siding
 900 Captain Joe Fulghum Dr.
 Murfreesboro, TN 37129
 (615)494-1693
 www.MetalMax.com



NTS = NOT TO SCALE

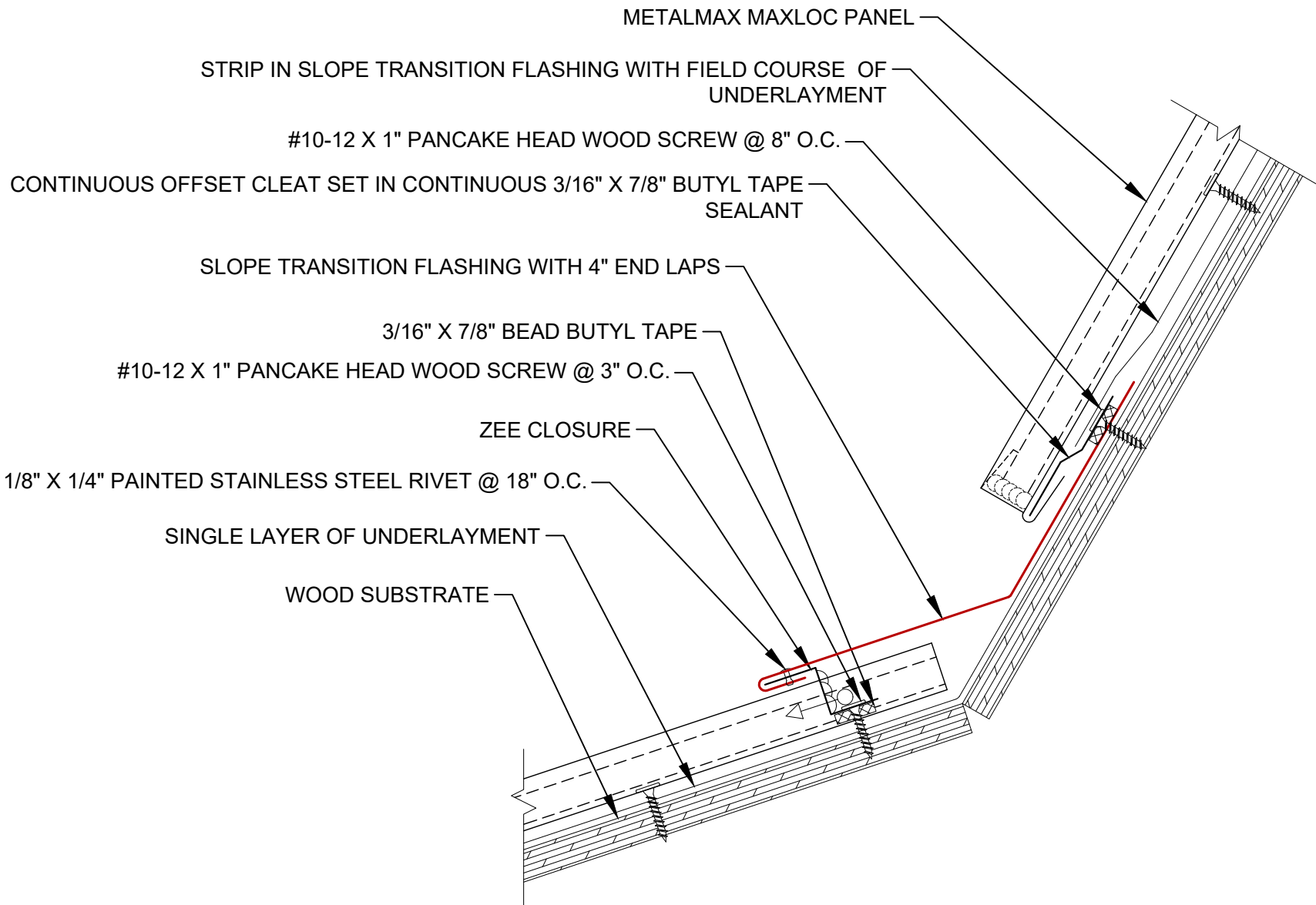


Description: **MaxLoc Gambrel Roof Transition Detail**

Substrate: **Plywood**

Detail No.:

MetalMax Roofing and Siding
 900 Captain Joe Fulghum Dr.
 Murfreesboro, TN 37129
 (615)494-1693
 www.MetalMax.com



NTS = NOT TO SCALE

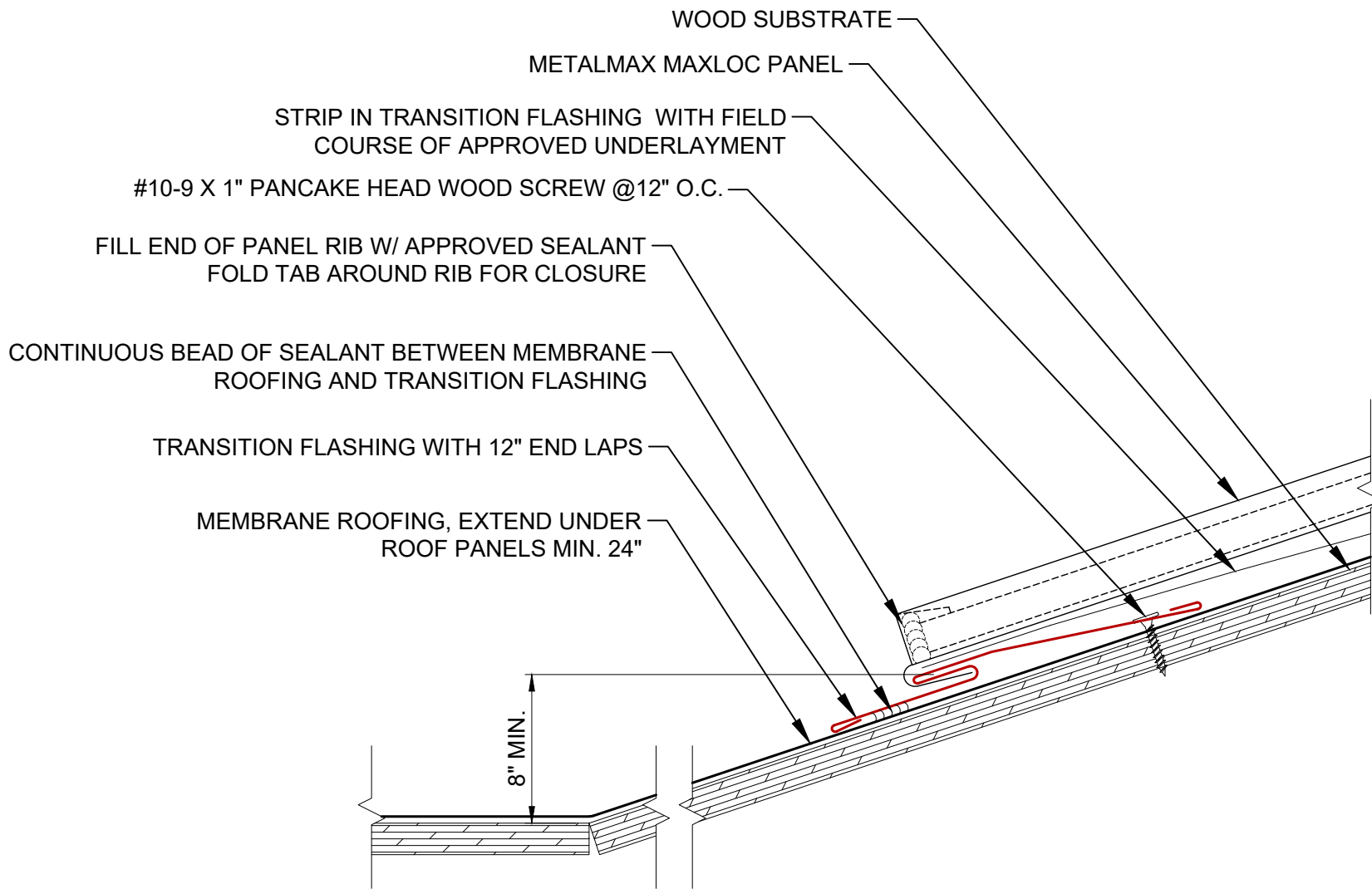


Description: **MaxLoc Slope Transition Detail**

Substrate: **Plywood**

Detail No.:

MetalMax Roofing and Siding
 900 Captain Joe Fulghum Dr.
 Murfreesboro, TN 37129
 (615)494-1693
 www.MetalMax.com



NTS = NOT TO SCALE



Description:

MaxLoc Slope Transition at Membrane Roofing Detail

Substrate:

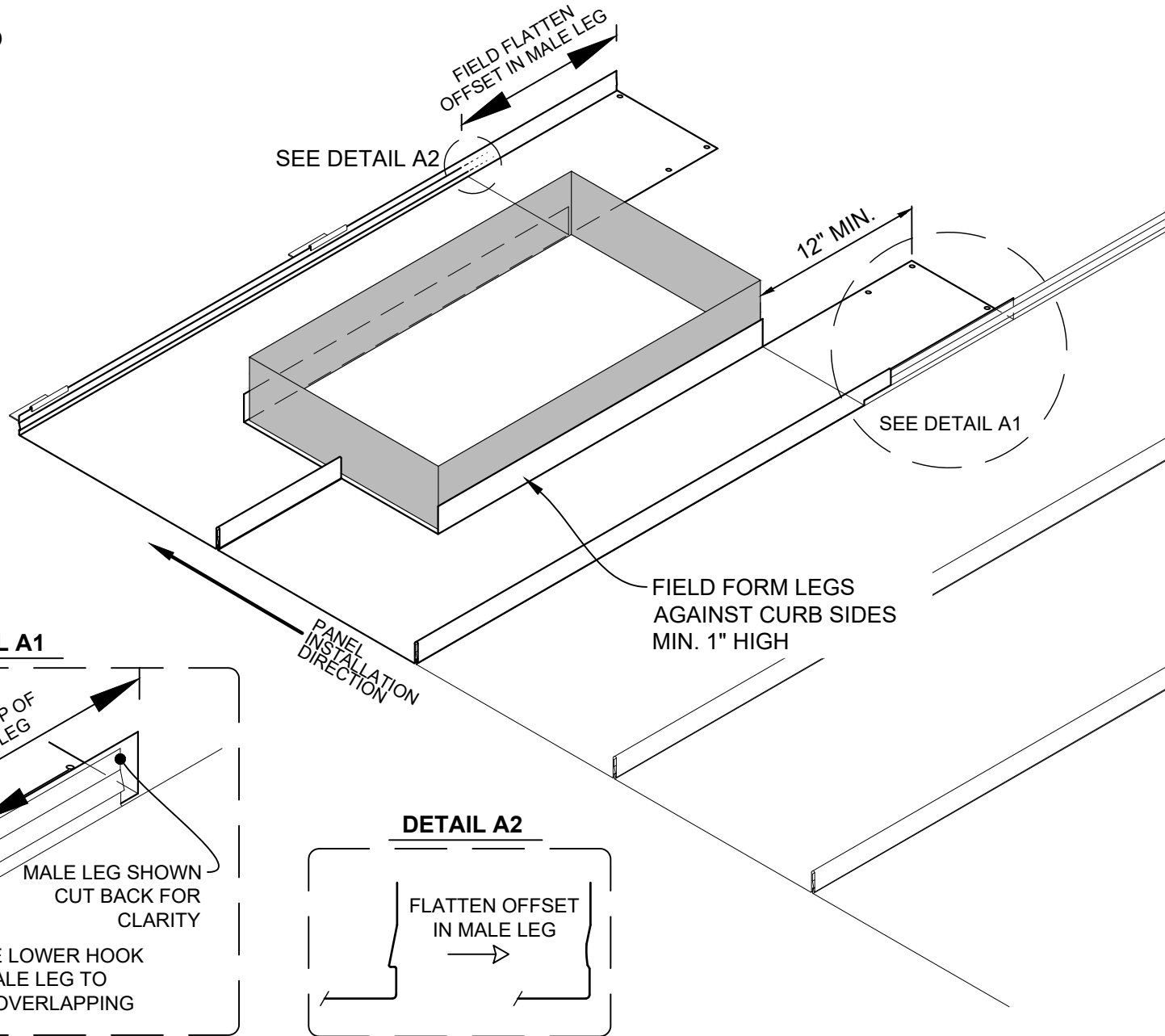
Plywood

Detail No.:

MetalMax Roofing and Siding
 900 Captain Joe Fulghum Dr.
 Murfreesboro, TN 37129
 (615)494-1693
 www.MetalMax.com

STEP 1

INSTALL PANELS AROUND CURB.

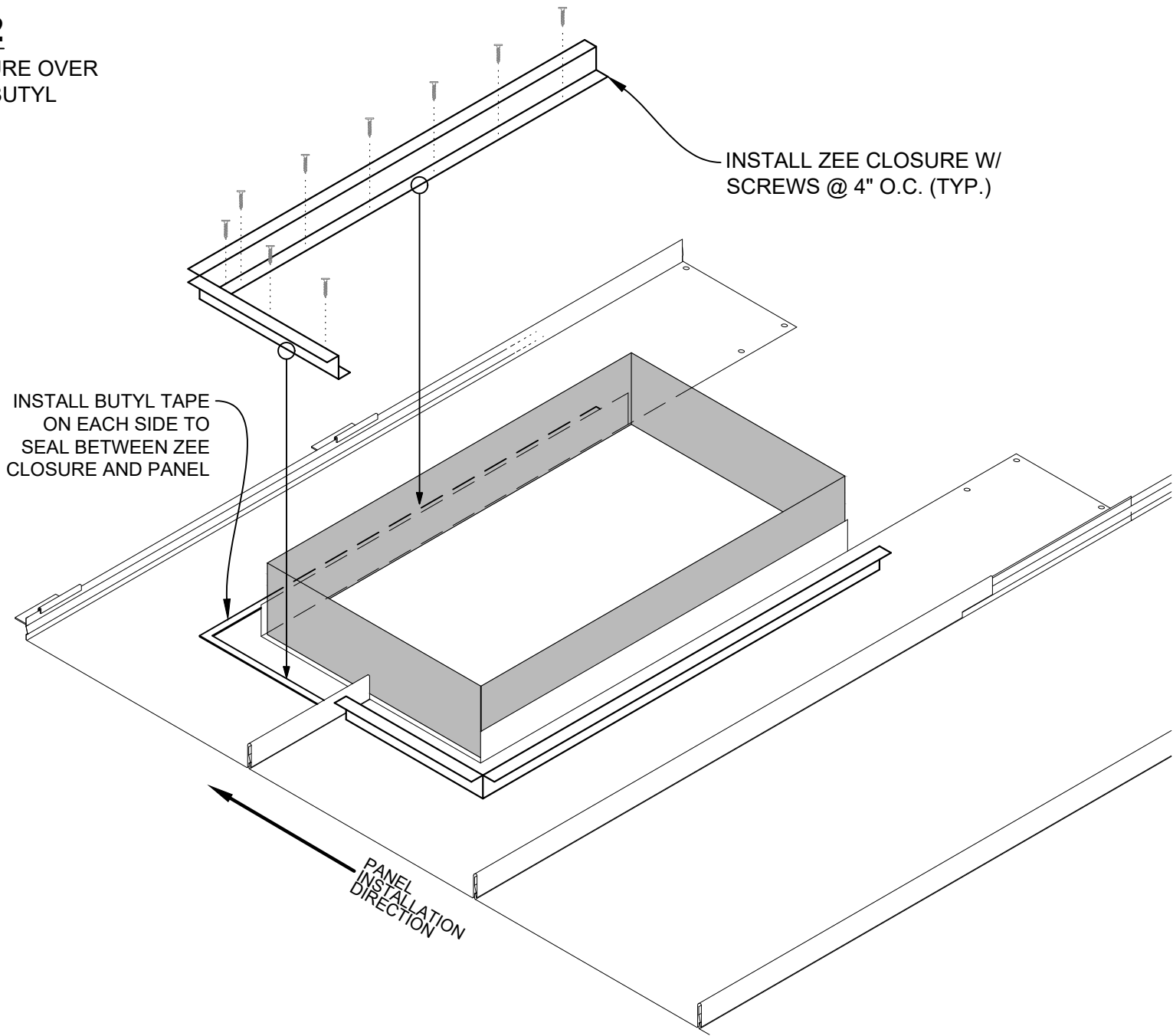


Description:		MaxLoc Curb Detail - Step 1
Substrate:	Plywood	
Detail No.:		

MetalMax Roofing and Siding
900 Captain Joe Fulghum Dr.
Murfreesboro, TN 37129
(615)494-1693
www.MetalMax.com

STEP 2

INSTALL ZEE CLOSURE OVER
DOUBLE BEAD BUTYL



Description:

MaxLoc Curb Detail - Step 2

Substrate:

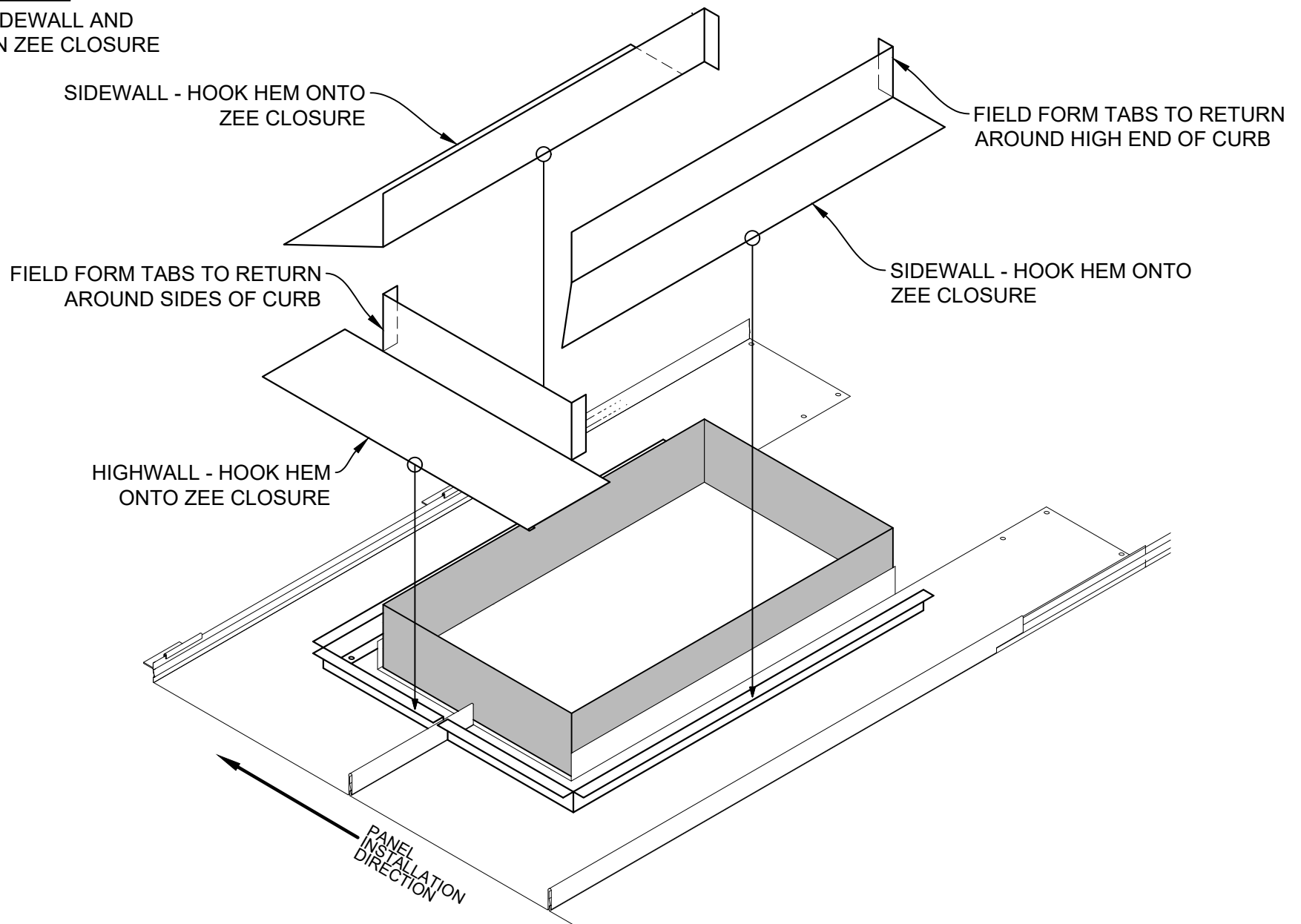
Plywood

Detail No.:

MetalMax Roofing and Siding
900 Captain Joe Fulghum Dr.
Murfreesboro, TN 37129
(615)494-1693
www.MetalMax.com

STEP 3

INSTALL SIDEWALL AND HIGHWALL ON ZEE CLOSURE



Description:

MaxLoc Curb Detail - Step 3

Substrate:

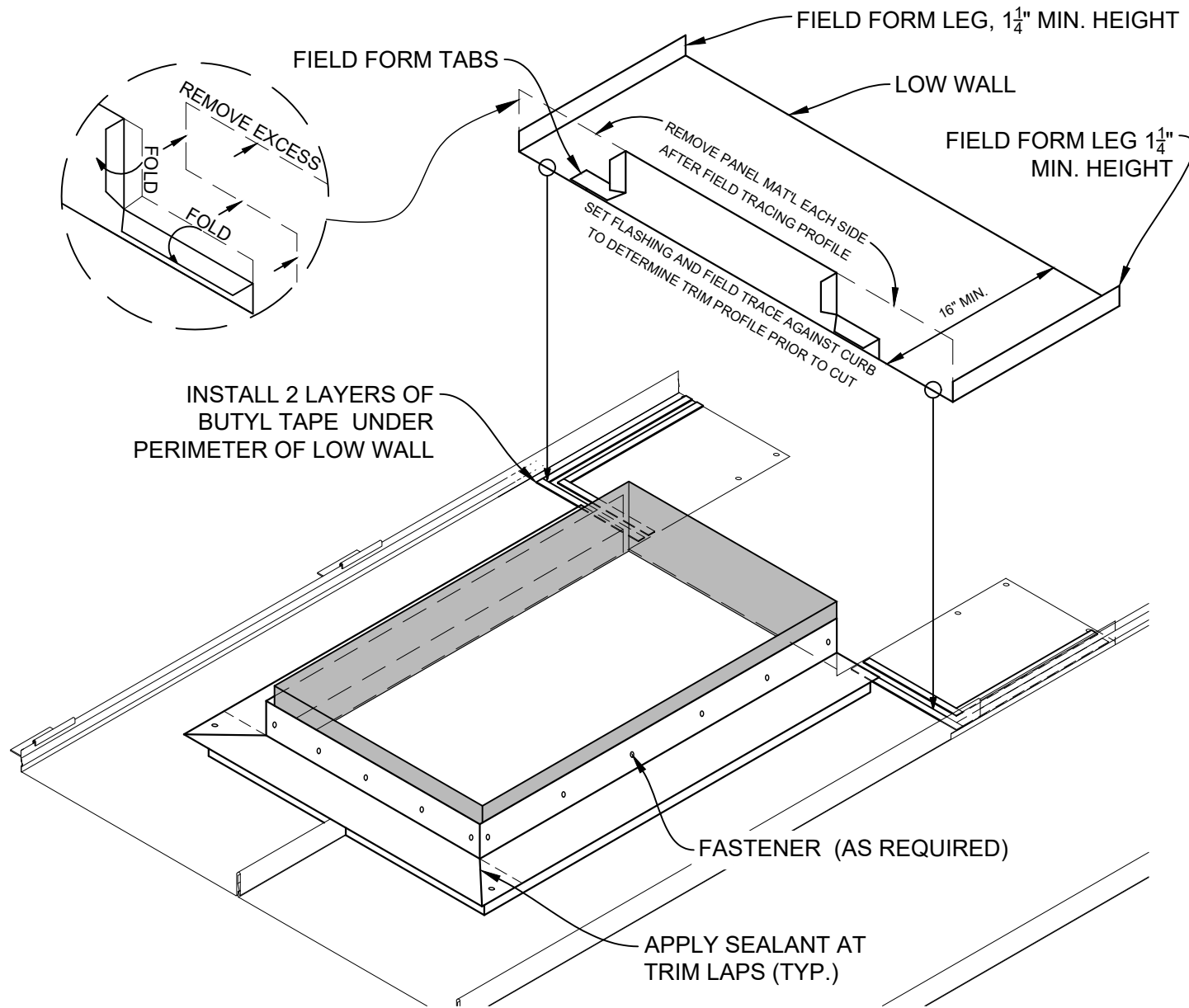
Plywood

Detail No.:

MetalMax Roofing and Siding
900 Captain Joe Fulghum Dr.
Murfreesboro, TN 37129
(615)494-1693
www.MetalMax.com

STEP 4

INSTALL LOW WALL



Description:

MaxLoc Curb Detail - Step 4

Substrate:

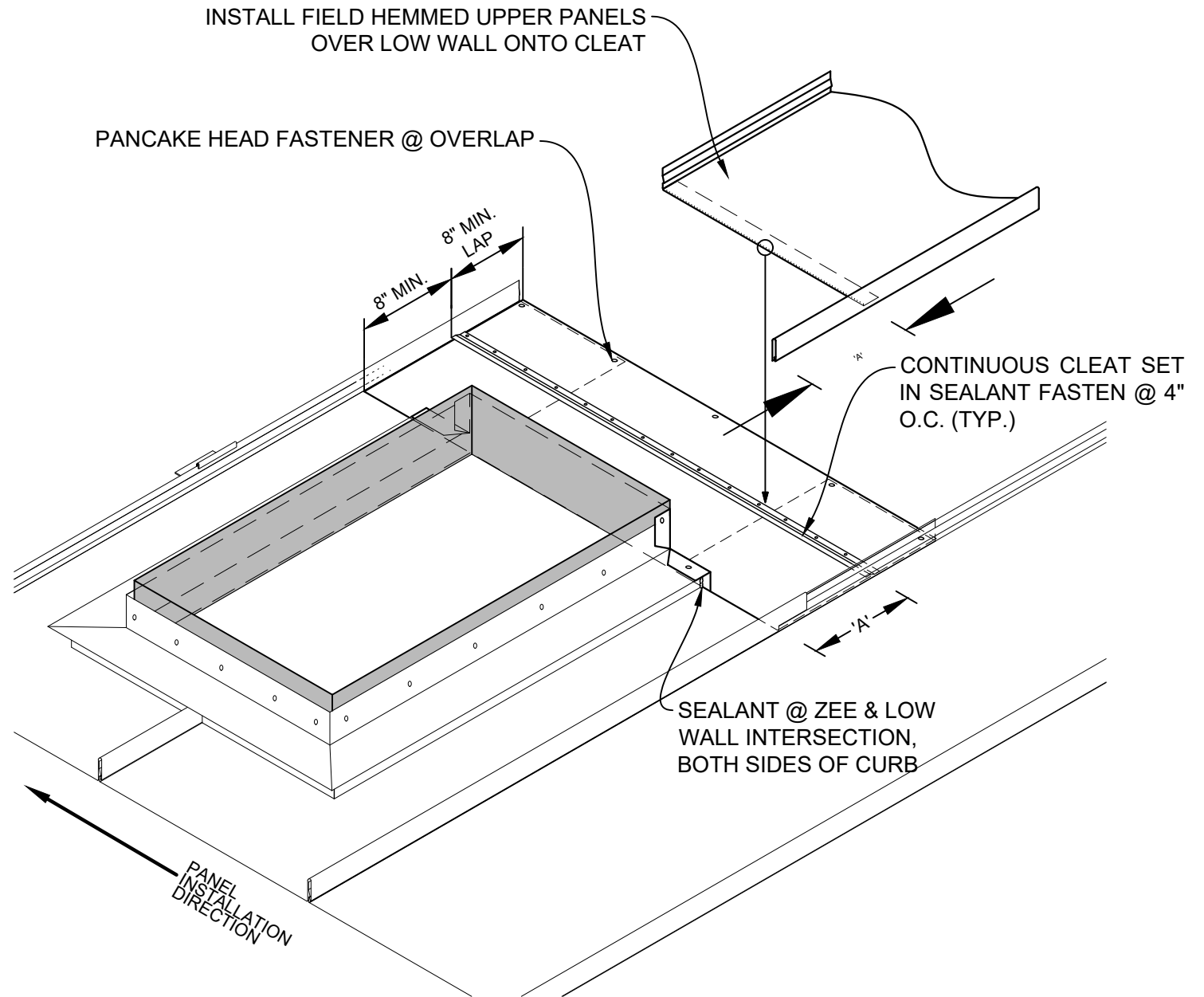
Plywood

Detail No.:

MetalMax Roofing and Siding
900 Captain Joe Fulghum Dr.
Murfreesboro, TN 37129
(615)494-1693
www.MetalMax.com

STEP 5

INSTALL CLEAT AND
PREPARE FOR UPPER PANEL
INSTALLATION



Description:

MaxLoc Curb Detail - Step 5

Substrate:

Plywood

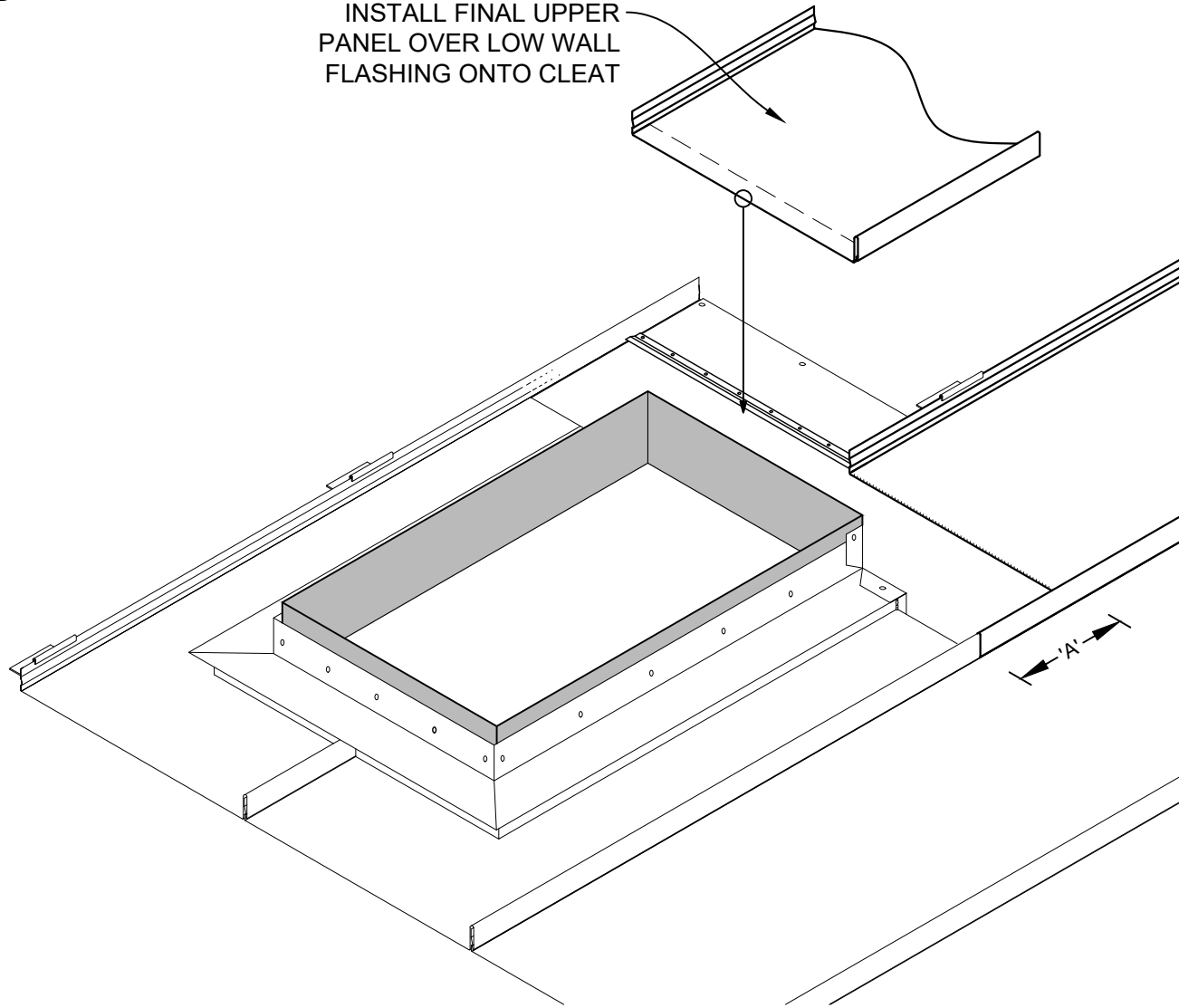
Detail No.:

MetalMax Roofing and Siding
900 Captain Joe Fulghum Dr.
Murfreesboro, TN 37129
(615)494-1693
www.MetalMax.com

STEP 6

INSTALL FINAL SEAL AND
FASTEN AS REQUIRED

INSTALL FINAL UPPER
PANEL OVER LOW WALL
FLASHING ONTO CLEAT



Description:

MaxLoc Curb Detail - Step 6

Substrate:

Plywood

Detail No.:

MetalMax Roofing and Siding
900 Captain Joe Fulghum Dr.
Murfreesboro, TN 37129
(615)494-1693
www.MetalMax.com

CONTINUOUS BEAD OF SEALANT AROUND
TOP OF BOOT

STAINLESS STEEL PIPE CLAMP

PIPE BOOT

12-14 X 1" S.D. W/ WASHER @ 1" O.C.

MINIMUM 1" BETWEEN FLANGE OF
BOOT FLASHING AND PANEL RIBS

7"

CONTINUOUS TUBE SEALANT AROUND
BASE OF PIPE

LEAVE MINIMUM 1/2" CLEARANCE
AROUND PENETRATION

SET SECUREMENT RING IN BEAD
OF TUBE SEALANT

UNDERLAYMENT

WOOD SUBSTRATE

NTS = NOT TO SCALE



Description:

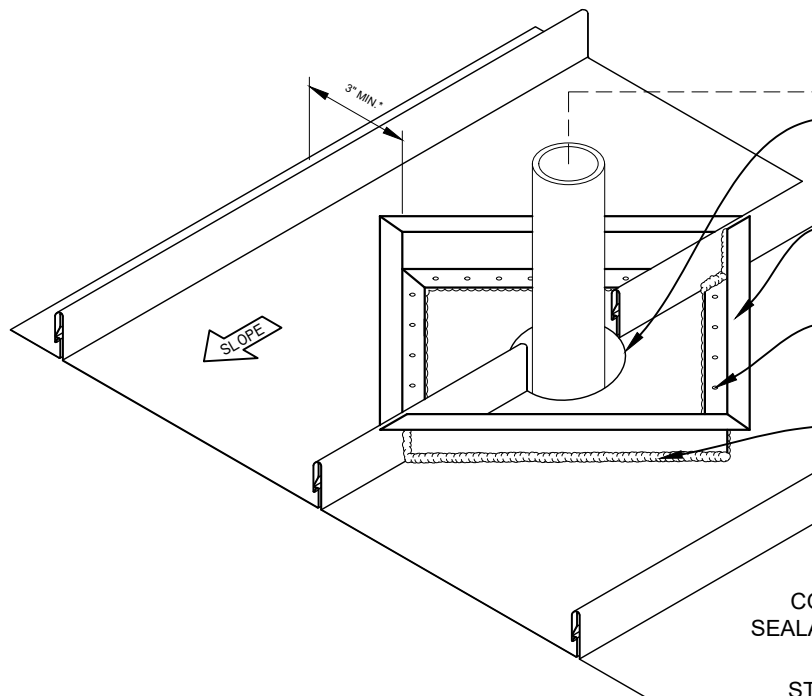
MaxLoc Pipe Penetration Detail

Substrate:

Plywood

Detail No.:

MetalMax Roofing and Siding
900 Captain Joe Fulghum Dr.
Murfreesboro, TN 37129
(615)494-1693
www.MetalMax.com

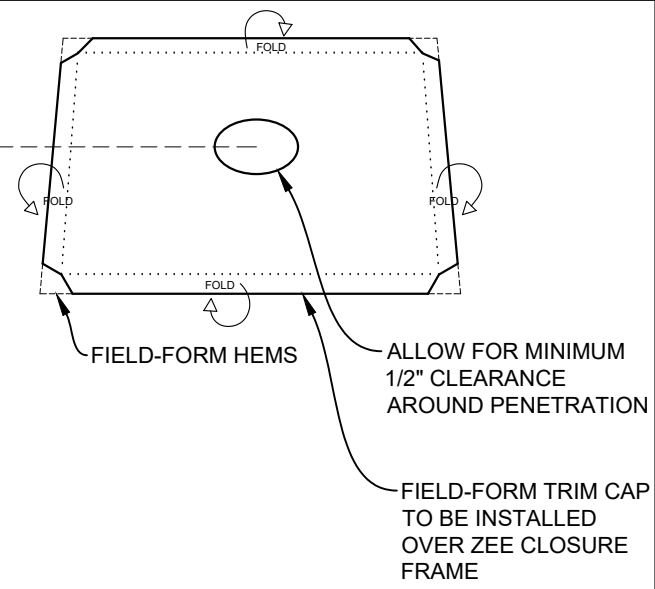


LEAVE 1/2" CLEARANCE AROUND PENETRATION FOR EXPANSION

ZEE CLOSURE, WITH CONTINUOUS BEAD OF TUBE SEALANT

1/8" x 1/7" STAINLESS RIVET @ 2" O.C. MAX.

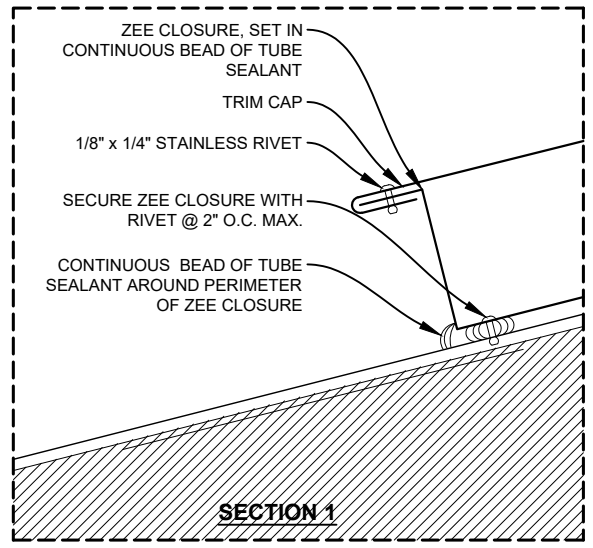
APPLY CONTINUOUS BEAD OF TUBE SEALANT AROUND PERIMETER OF ZEE CLOSURE.



FIELD-FORM HEMS

ALLOW FOR MINIMUM 1/2" CLEARANCE AROUND PENETRATION

FIELD-FORM TRIM CAP TO BE INSTALLED OVER ZEE CLOSURE FRAME



ZEE CLOSURE, SET IN CONTINUOUS BEAD OF TUBE SEALANT

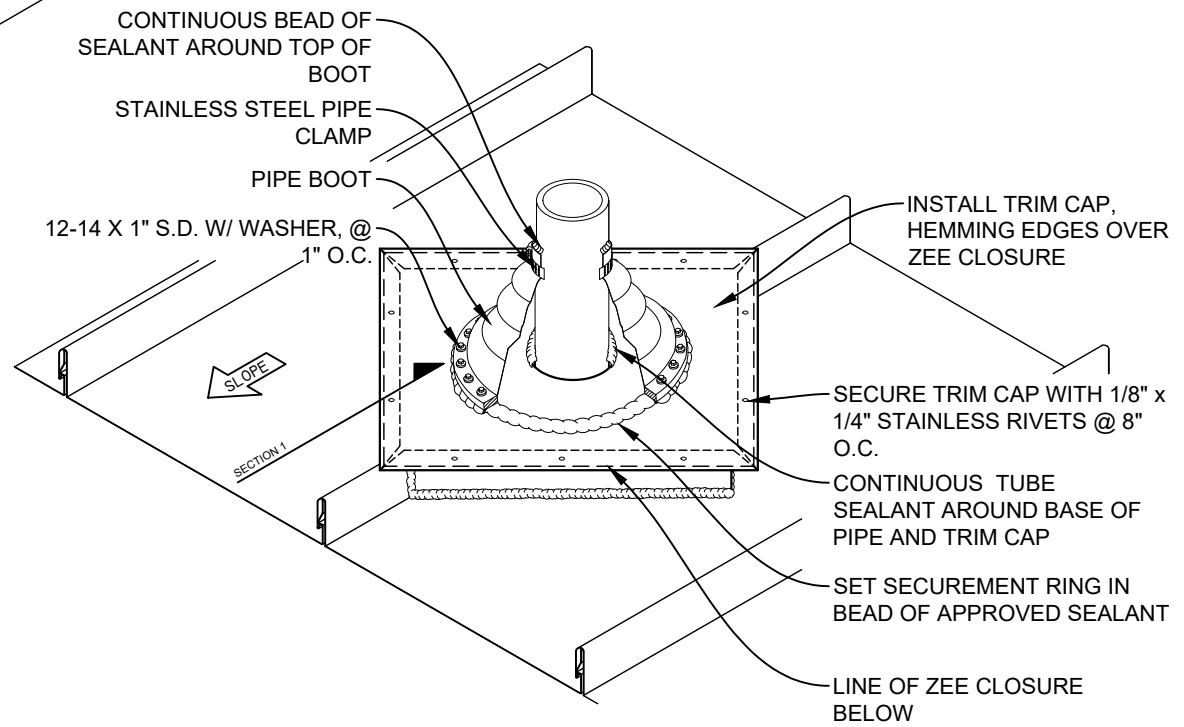
TRIM CAP

1/8" x 1/4" STAINLESS RIVET

SECURE ZEE CLOSURE WITH RIVET @ 2" O.C. MAX.

CONTINUOUS BEAD OF TUBE SEALANT AROUND PERIMETER OF ZEE CLOSURE

SECTION 1



CONTINUOUS BEAD OF SEALANT AROUND TOP OF BOOT

STAINLESS STEEL PIPE CLAMP

PIPE BOOT

12-14 X 1" S.D. W/ WASHER, @ 1" O.C.

INSTALL TRIM CAP, HEMMING EDGES OVER ZEE CLOSURE

SECURE TRIM CAP WITH 1/8" x 1/4" STAINLESS RIVETS @ 8" O.C.

CONTINUOUS TUBE SEALANT AROUND BASE OF PIPE AND TRIM CAP

SET SECUREMENT RING IN BEAD OF APPROVED SEALANT

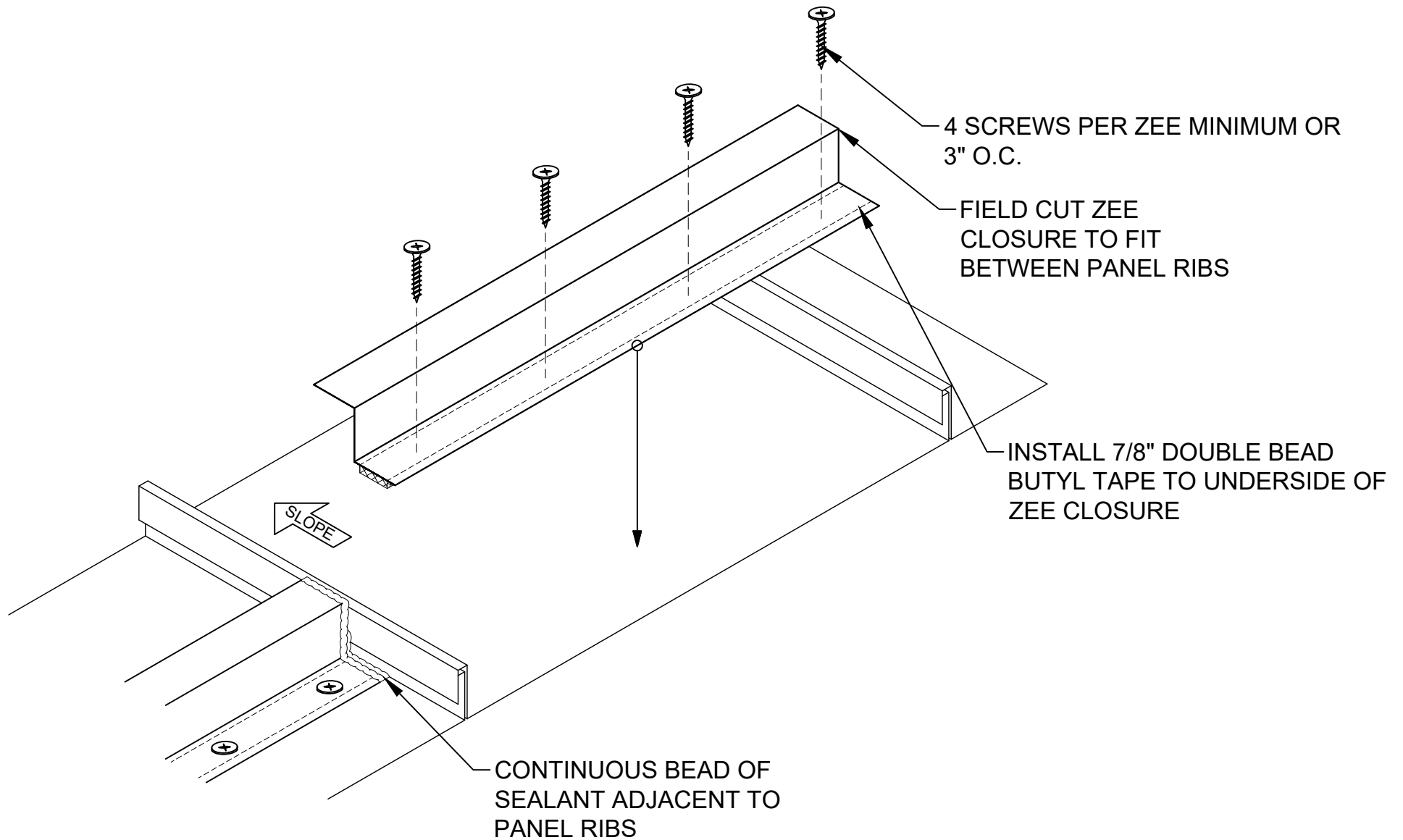
LINE OF ZEE CLOSURE BELOW

NTS = NOT TO SCALE



Description:		MaxLoc Pipe Penetration Through SS Rib Detail
Substrate:	WOOD FRAMING	
Detail No.:		

MetalMax Roofing and Siding
 900 Captain Joe Fulghum Dr.
 Murfreesboro, TN 37129
 (615)494-1693
 www.MetalMax.com



NTS = NOT TO SCALE



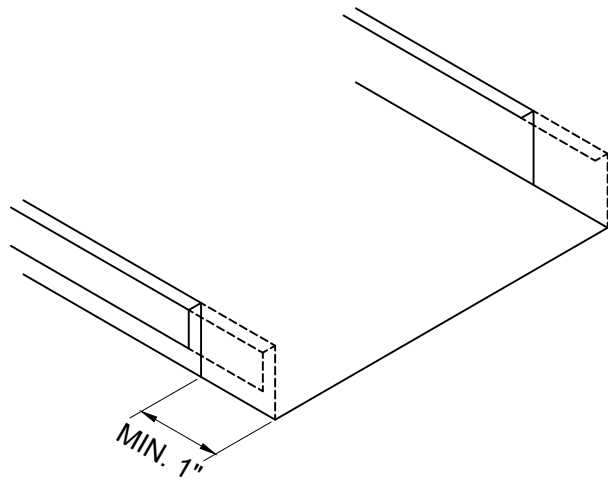
Description: **MaxLoc Zee Closure Installation Detail**

Substrate: **Plywood**

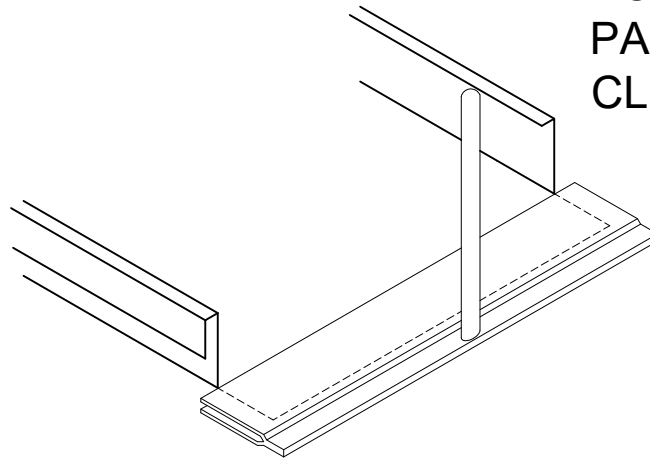
Detail No.:

MetalMax Roofing and Siding
 900 Captain Joe Fulghum Dr.
 Murfreesboro, TN 37129
 (615)494-1693
 www.MetalMax.com

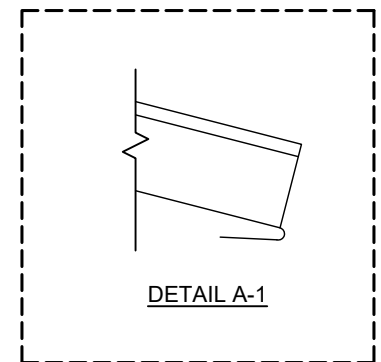
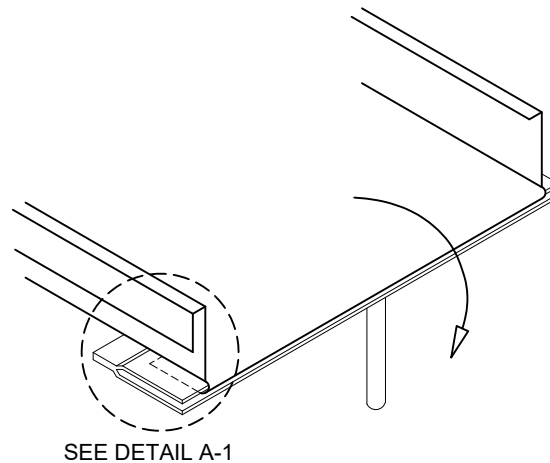
1: FIELD NOTCH RIBS AND REMOVE



2: ENGAGE PANEL HEMMING TOOL OVER FLAT PART OF PANEL TO ACCEPT OFFSET CLEAT



3: BEND TO FORM OPEN HEM



NTS = NOT TO SCALE



Description:

MaxLoc Panel End, Field Hem Detail

Substrate:

Plywood

Detail No.:

MetalMax Roofing and Siding
900 Captain Joe Fulghum Dr.
Murfreesboro, TN 37129
(615)494-1693
www.MetalMax.com



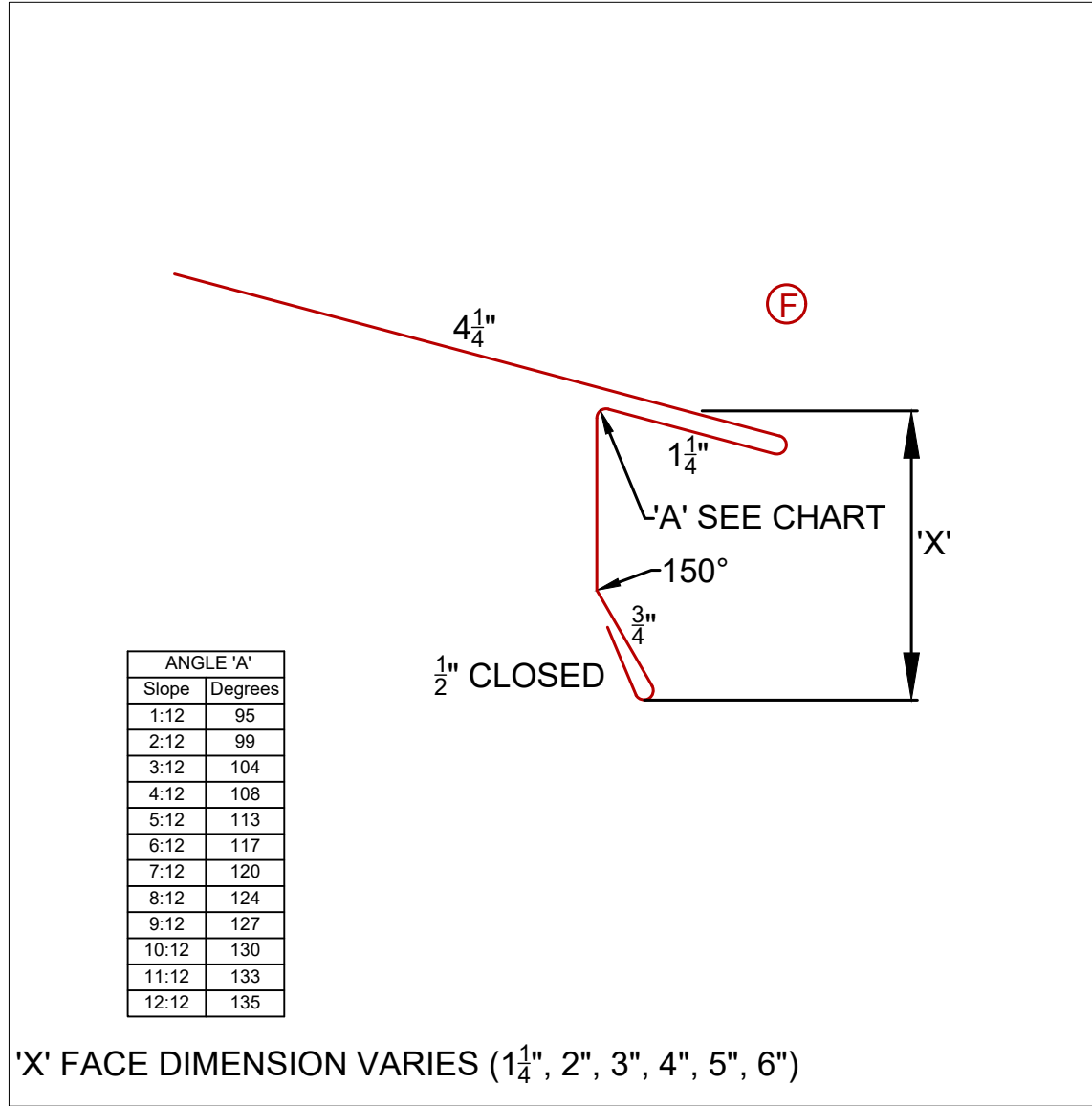
MaxLoc Standing Seam Roof Panel Trims



Customer:

Project:

Date:



(F) Denotes finished side.

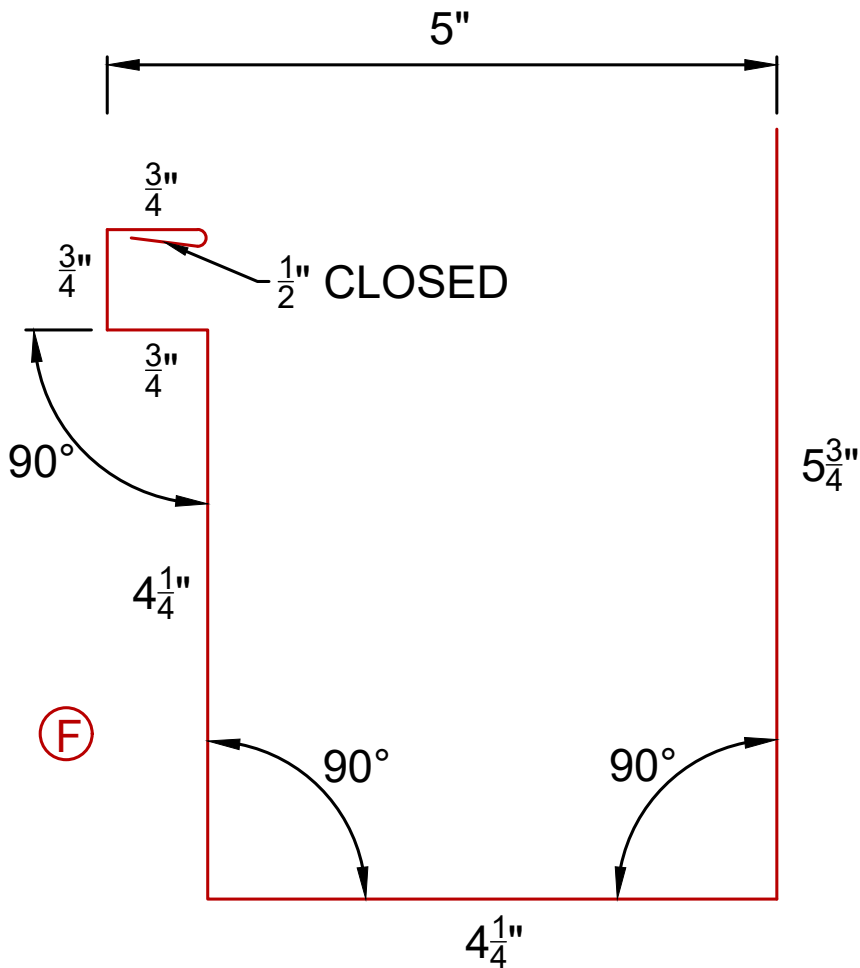


Description:		MaxLoc Extended Eave		Item ID:
Material:	Gauge:	Color:		
Blank Width:	Part Length:	Quantity:	Slope:	
VARIES				

Customer:

Project:

Date:



(F) Denotes finished side.



Description:

MaxLoc 5" Gutter

Item ID:

Material:

Gauge:

Color:

Blank Width:

17"

Part Length:

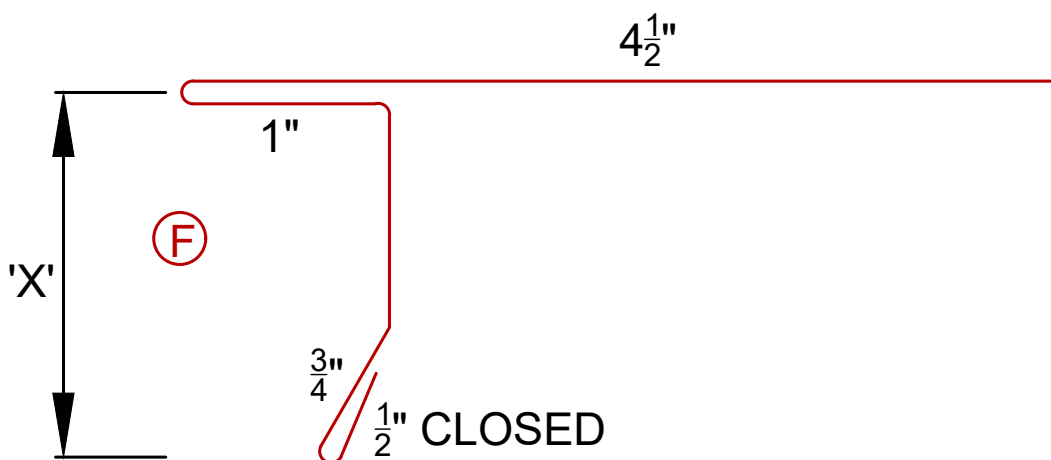
Quantity:

Slope:

Customer:

Project:

Date:



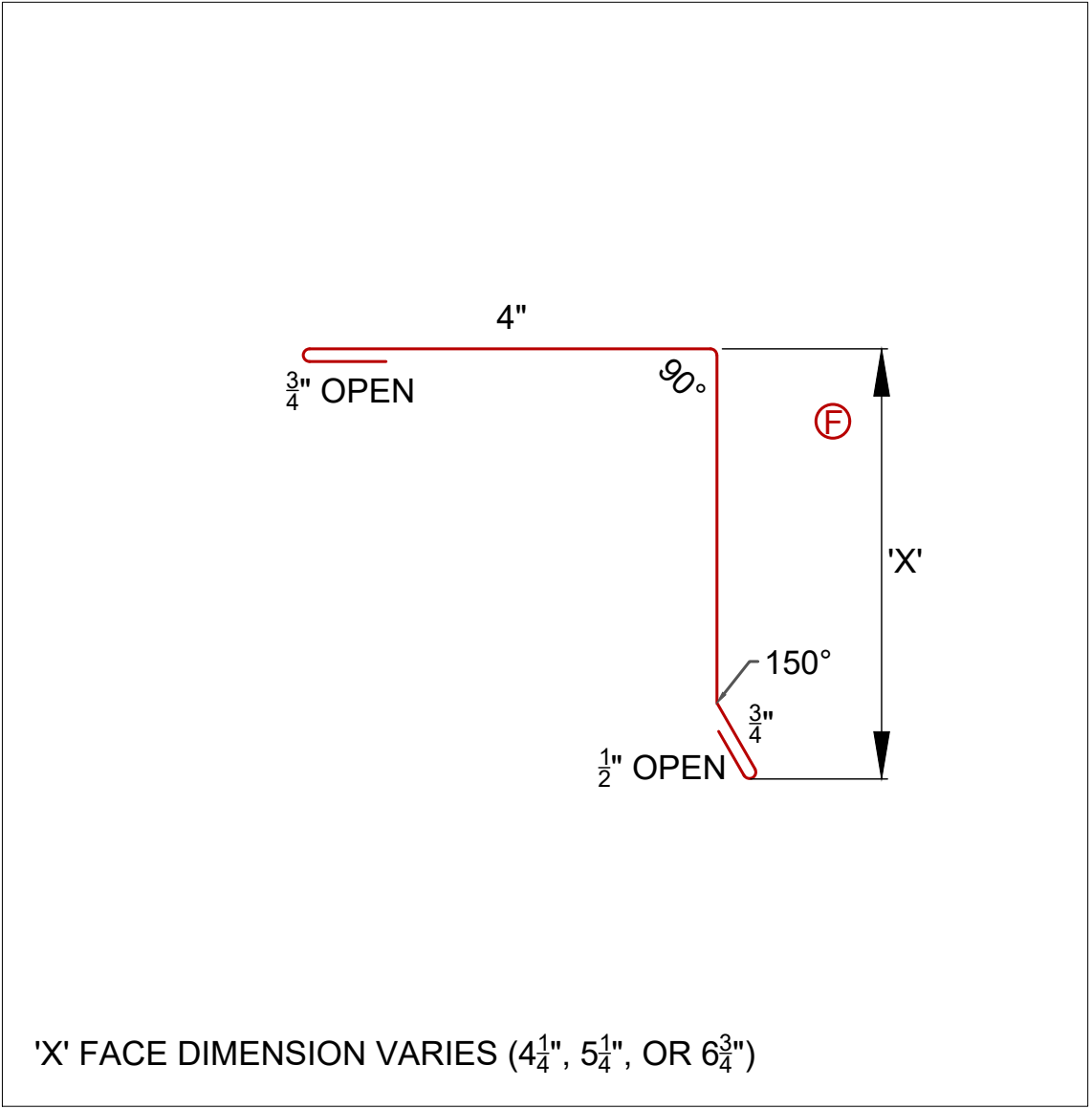
'X' FACE DIMENSION VARIES (2", 3", 4", 5", OR 6")

ⓕ Denotes finished side.




Description:		MaxLoc Extended Gable Drip Edge		Item ID:
Material:	Gauge:	Color:		
Blank Width:	Part Length:	Quantity:	Slope:	
VARIES				

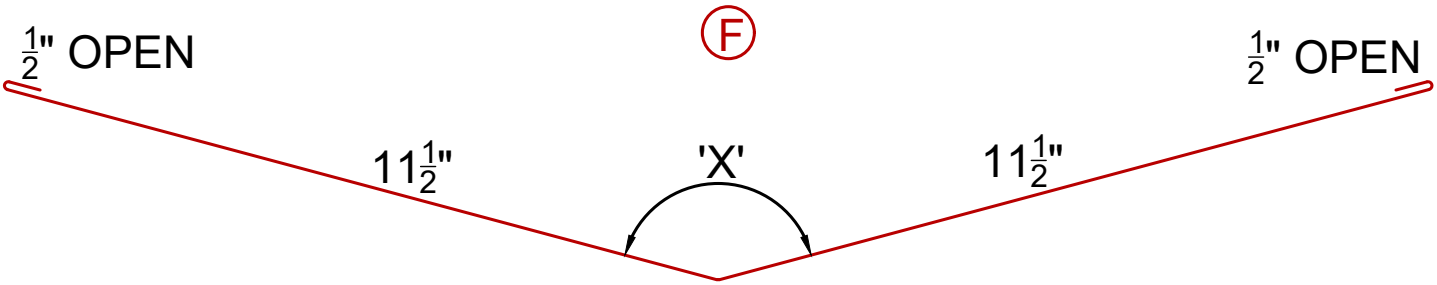
Customer:	Project:	Date:
-----------	----------	-------



'X' FACE DIMENSION VARIES (4¹/₄" , 5¹/₄" , OR 6³/₄")


ⓕ Denotes finished side.

	Description: MaxLok Box Gable		Item ID:		
	Material:	Gauge:	Color:		
	Blank Width: VARIES	Part Length:	Quantity:	Slope:	



ANGLE 'X'	
Slope	Degrees
1:12	173
2:12	168
3:12	160
4:12	154
5:12	148
6:12	143
7:12	139
8:12	135
9:12	130
10:12	126
11:12	123
12:12	120

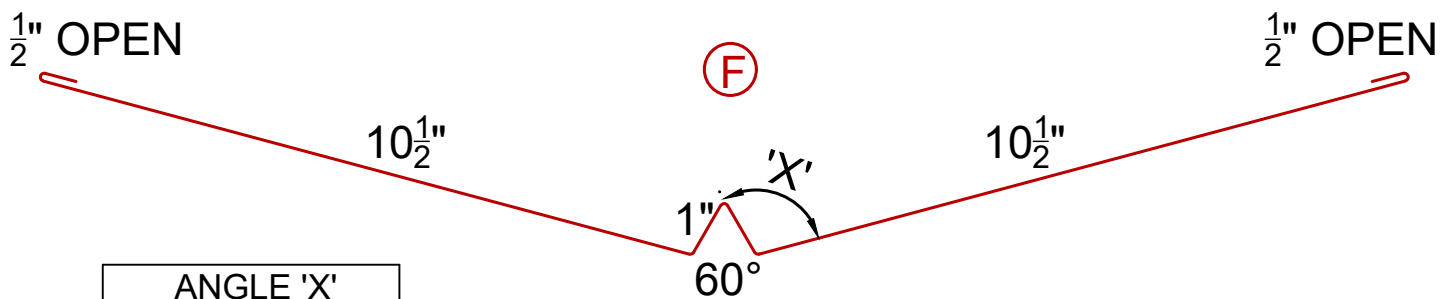
F Denotes finished side.

	Description: MaxLoc Valley		Item ID:	
	Material:	Gauge:	Color:	
	Blank Width: 24"	Part Length:	Quantity:	Slope:

Customer:

Project:

Date:



ANGLE 'X'	
Slope	Degrees
1:12	173
2:12	168
3:12	160
4:12	154
5:12	148
6:12	143
7:12	139
8:12	135
9:12	130
10:12	126
11:12	123
12:12	120

F Denotes finished side.

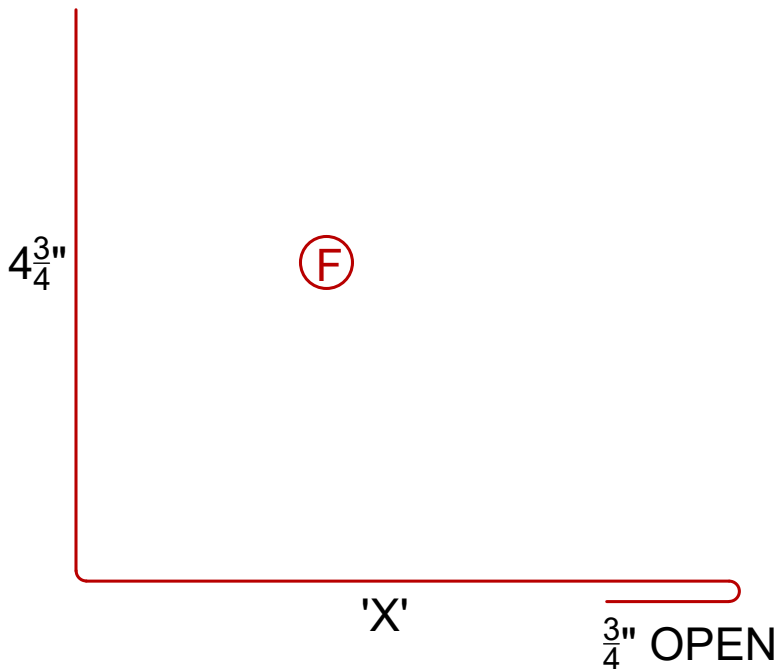


Description:		MaxLoc W-Valley		Item ID:
Material:	Gauge:	Color:		
Blank Width: 24"	Part Length:	Quantity:	Slope:	

Customer:

Project:

Date:



'X' FACE DIMENSION VARIES (2¹/₂" OR 4")

Ⓡ Denotes finished side.



Description:		MaxLoc Sidewall		Item ID:
Material:	Gauge:	Color:		
Blank Width:	Part Length:	Quantity:	Slope:	
VARIES				

Customer:

Project:

Date:

3 1/2"

ⓕ

'X'

6"

3/4" OPEN

ⓕ Denotes finished side.



Description:

MaxLoc Highwall

Item ID:

Material:

Gauge:

Color:

Blank Width:

10 1/4"

Part Length:

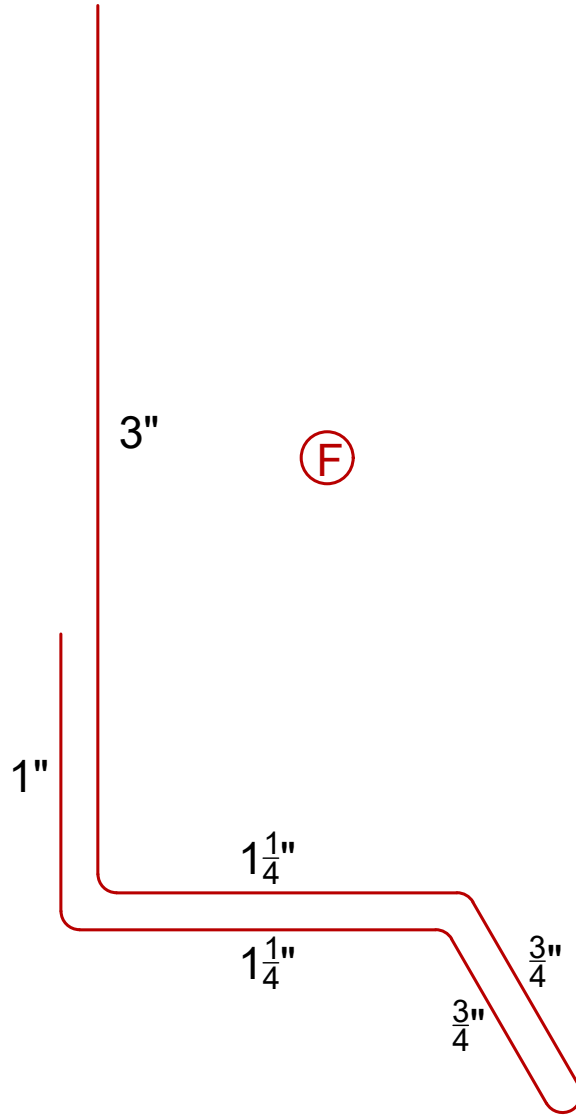
Quantity:

Slope:

Customer:

Project:

Date:



F Denotes finished side.

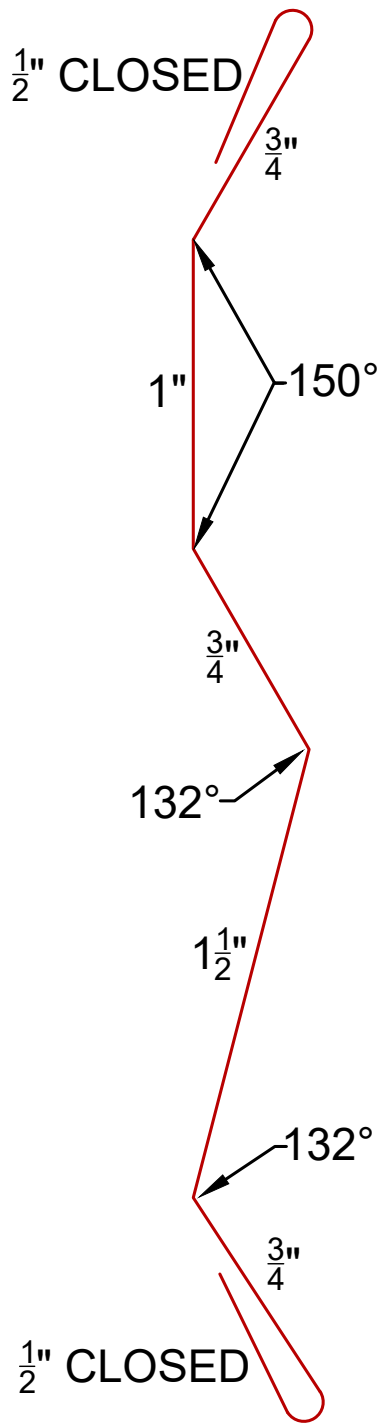


Description:		MaxLoc Sill		Item ID:
Material:	Gauge:	Color:		
Blank Width: 8"	Part Length:	Quantity:	Slope:	

Customer:

Project:

Date:



F

F Denotes finished side.



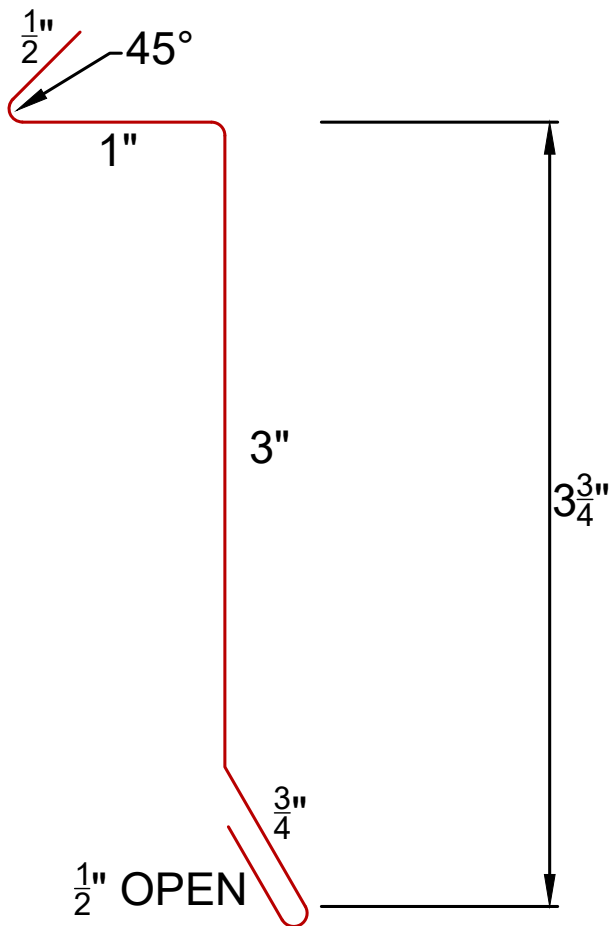
Description:		Item ID:	
MaxLoc Surface Mounted Counter Flashing			
Material:	Gauge:	Color:	
Blank Width: 5 3/4"	Part Length:	Quantity:	Slope:

Customer:

Project:

Date:

(F)



(F) Denotes finished side.



Description:

MaxLoc Reglet

Item ID:

Material:

Gauge:

Color:

Blank Width:

5 3/4"

Part Length:

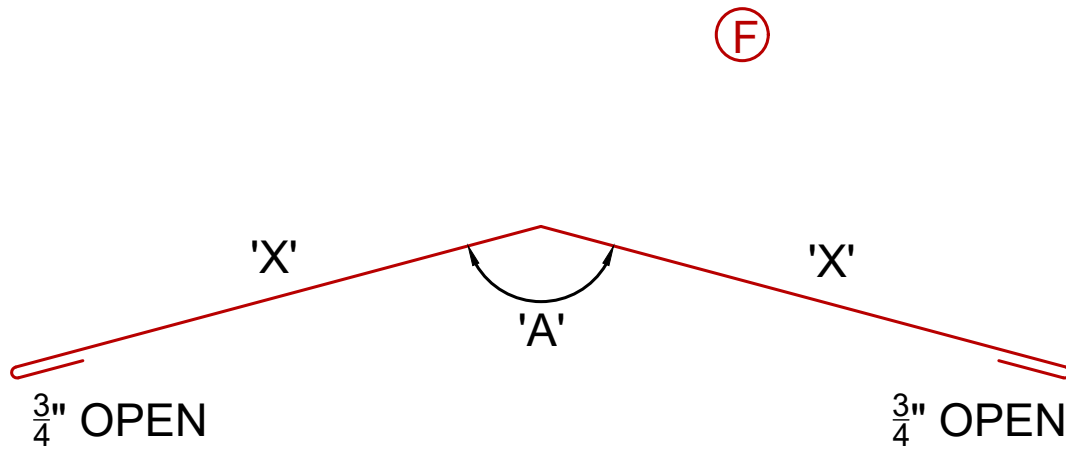
Quantity:

Slope:

Customer:

Project:

Date:



ANGLE 'A'	
Slope	Degrees
1:12	173
2:12	168
3:12	160
4:12	154
5:12	148
6:12	143
7:12	139
8:12	135
9:12	130
10:12	126
11:12	123
12:12	120

'X' FACE DIMENSION VARIES (5¹/₄" , 6¹/₄" , OR 7¹/₄")

F Denotes finished side.



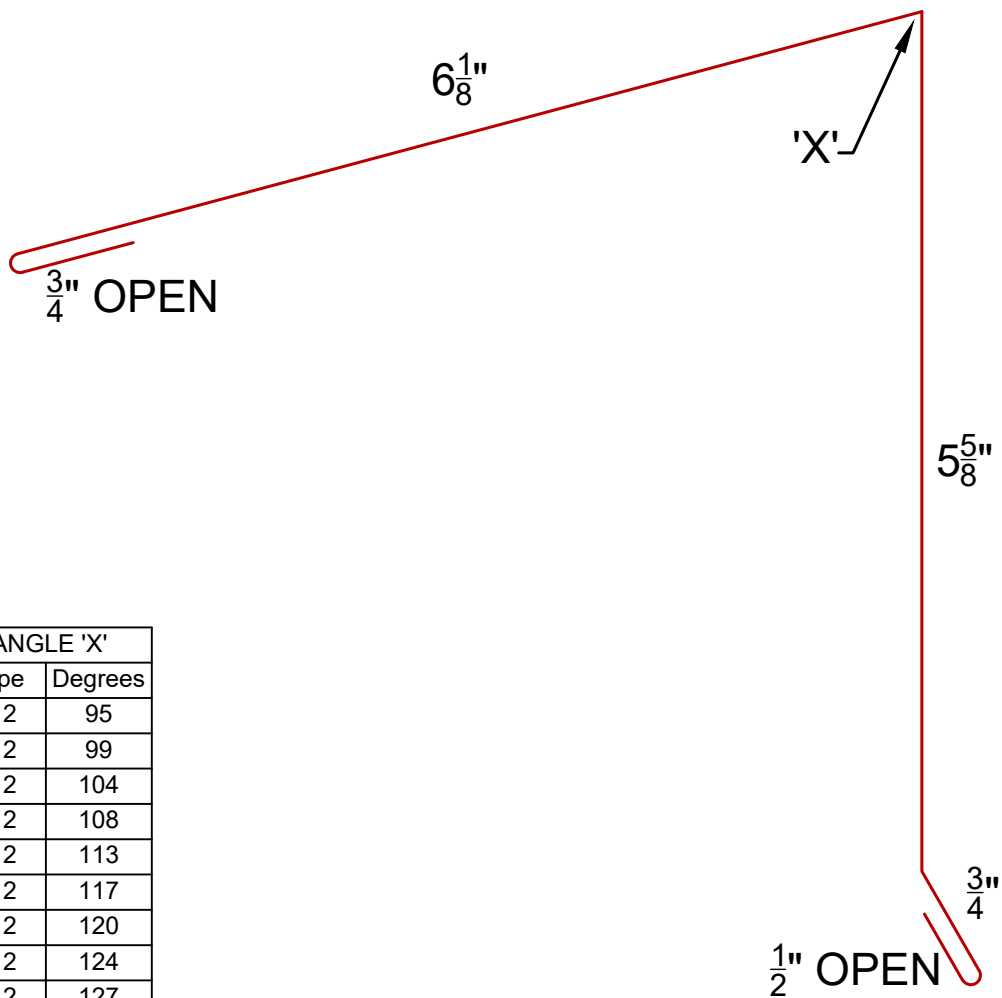
Description:		MaxLoc Hip and Ridge Cap		Item ID:
Material:	Gauge:	Color:		
Blank Width:	Part Length:	Quantity:	Slope:	
VARIES				

Customer:

Project:

Date:

F



ANGLE 'X'	
Slope	Degrees
1:12	95
2:12	99
3:12	104
4:12	108
5:12	113
6:12	117
7:12	120
8:12	124
9:12	127
10:12	130
11:12	133
12:12	135

F Denotes finished side.

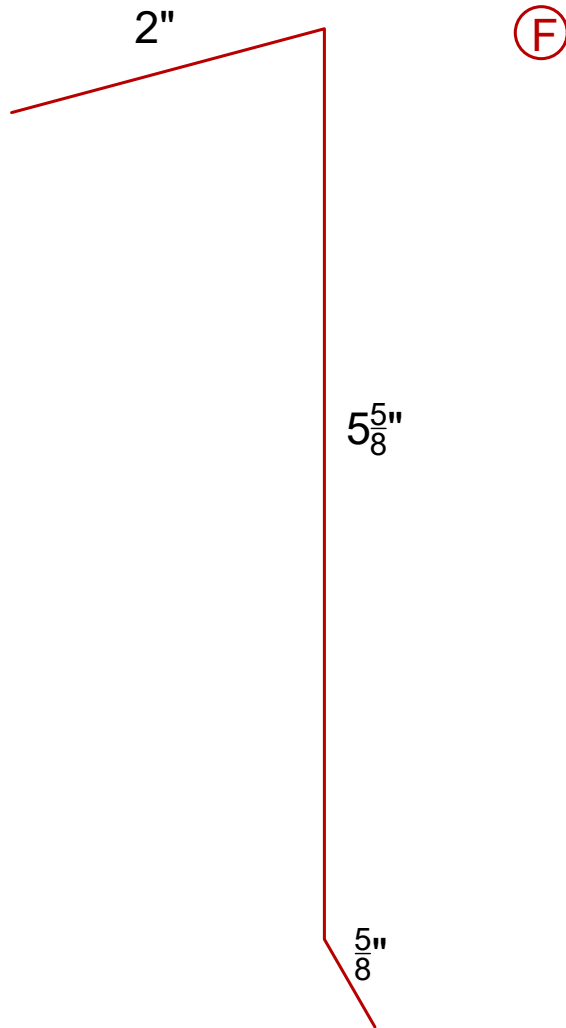


Description: MaxLoc Peak / High Side Eave		Item ID:	
Material:	Gauge:	Color:	
Blank Width: 13 3/4"	Part Length:	Quantity:	Slope:

Customer:

Project:

Date:



F Denotes finished side.

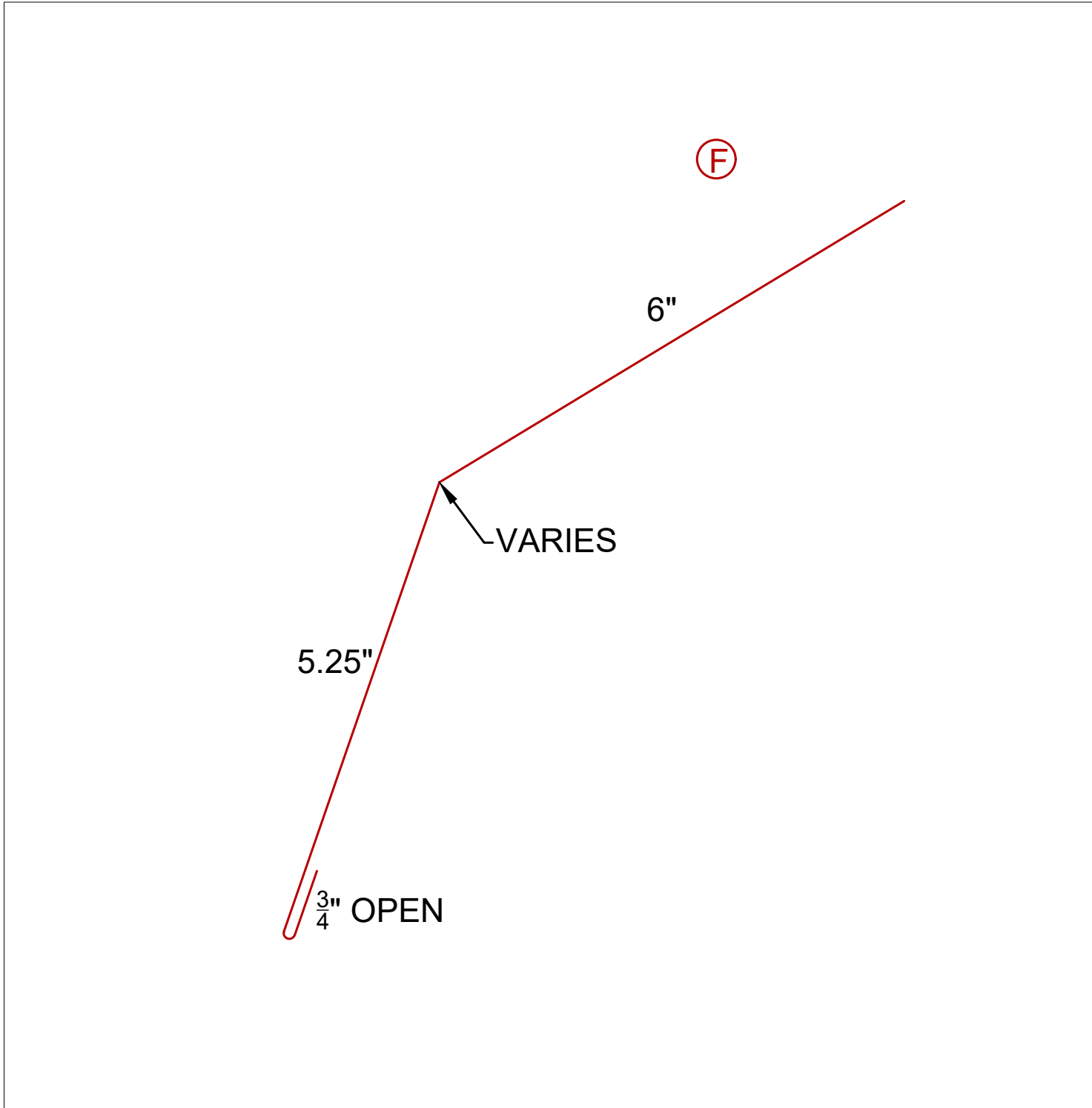


Description:		MaxLoc Peak Cleat		Item ID:
Material:	Gauge:	Color:		
Blank Width:	8 1/4"	Part Length:	Quantity:	Slope:

Customer:

Project:

Date:



(F) Denotes finished side.

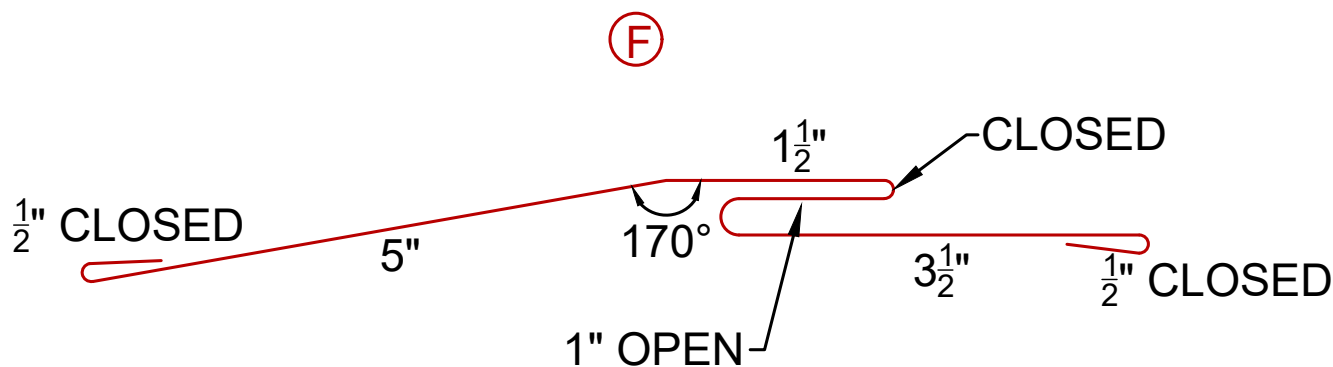


Description:		MaxLoc Gambrel Transition		Item ID:
Material:	Gauge:	Color:		
Blank Width:	12"	Part Length:	Quantity:	Slope:

Customer:

Project:

Date:



ⓕ Denotes finished side.

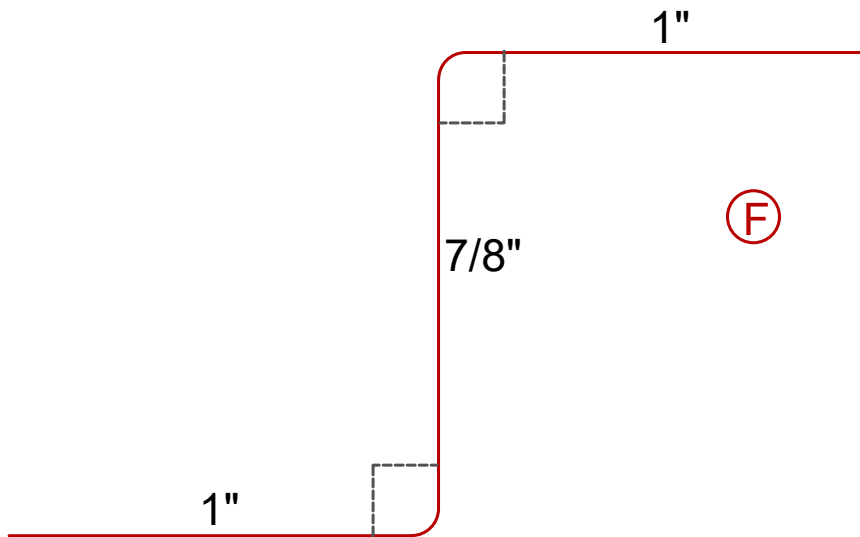


Description: MaxLoc Transition @ Roof Membrane		Item ID:	
Material:	Gauge:	Color:	
Blank Width: 12"	Part Length:	Quantity:	Slope:

Customer:

Project:

Date:



ⓕ Denotes finished side.



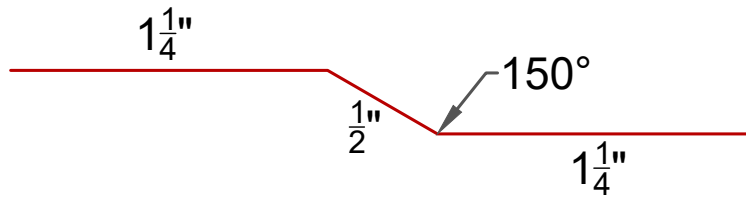
Description:		MaxLoc 7/8" Zee Closure		Item ID:
Material:	Gauge:	Color:		
Blank Width:	2-7/8"	Part Length:	Quantity:	Slope:

Customer:

Project:

Date:

ⓕ



Description:

MaxLoc Offset Cleat

Item ID:

Material:

Gauge:

Color:

Blank Width:

3"

Part Length:

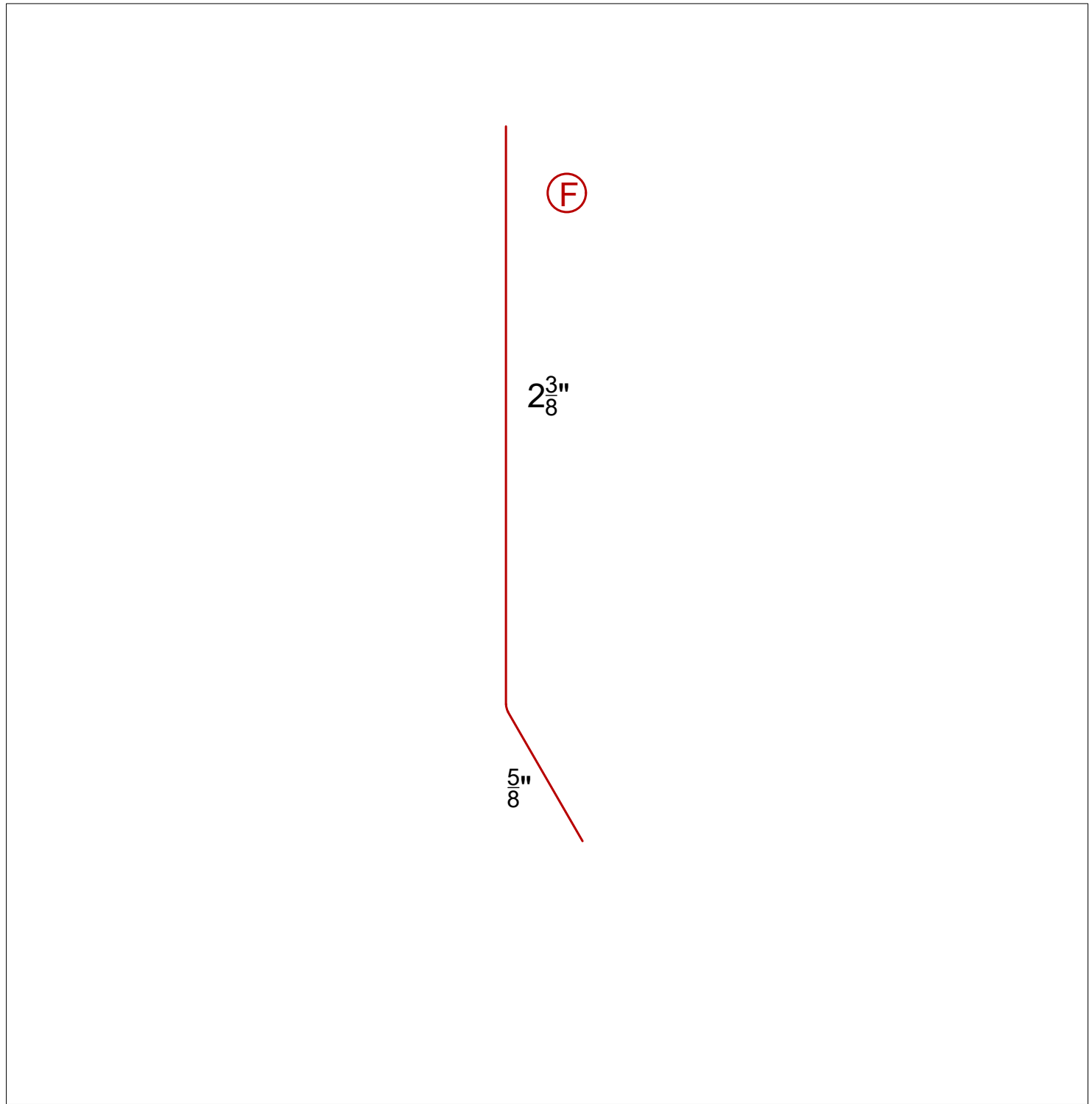
Quantity:

Slope:

Customer:

Project:

Date:



F Denotes finished side.



Description:		MaxLoc Fascia Cleat		Item ID:	
Material:		Gauge:	Color:		
Blank Width: 3"		Part Length:		Quantity:	Slope:




MaxLoc Custom Trim Sheet

To be used if a Custom Trim is Required



Customer:	Project:	Date:
-----------	----------	-------

F Denotes finished side.

	Description:		Custom Trim		Item ID:
	Material:	Gauge:	Color:		
	Blank Width:	Part Length:	Quantity:	Slope:	

If you have any questions or concerns please contact the MetalMax location nearest you.

Thank You for your business!

