



MAX-150SL SS Roof Panel

Installation Manual

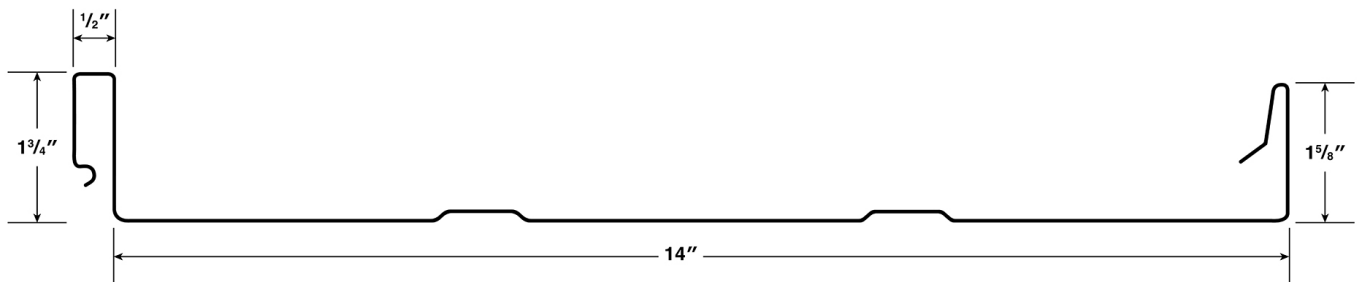




Table of Contents

Max-150SL Standing Seam Roof Panel Details

	<u>Detail Number</u>
Extended Eave.....	1.0
Extended Eave with Gutter.....	2.0
Extended Eave w/Wall Panel.....	3.0
Extended Eave w/Soffit and Gutter.....	4.0
Extended Eave Lap.....	5.0
Drip Edge Gable.....	6.0
Box Gable.....	7.0
Valley.....	8.0
Side Wall w/ Surface Mount Counter Flashing.....	9.0
Side Wall w/ Reglet Counter Flashing.....	10.0
Side Wall w/ Siding or Wall Panel.....	11.0
High Wall w/ Surface Mount Counter-Flashing.....	12.0
High Wall w/ Wall Panel and Sill.....	13.0
High Wall with Reglet Counter-Flashing.....	14.0
High Wall Trim Lap.....	15.0

Hip and Ridge Cap.....	16.0
Hip and Ridge Cap Lap.....	17.0
Peak /High Side Eave.....	18.0
Peak High Side Eave w/ Wall Panel.....	19.0
Slope Transition.....	20.0
Slope Transition at Membrane Roofing.....	21.0
Curb Detail: Steps 1 through 6	22.0
Pipe Penetration.....	23.0
Pipe Penetration through SS Rib.....	24.0
Zee Closure Installation.....	25.0

Individual Trim Drawings by Trim Description (These sheets can be used to order the particular trim indicated on the page, to include, quantity, Color, and Metal Gauge. There is also a blank page to use in the event a trim has to be custom made.

Max-150SL Standing Seam Roof Panel Trims

- Extended Eave
- 7" Gutter
- Extended Gable
- Box Gable
- Valley
- SideWall
- Sill
- Surface Mount Counter Flashing
- Reglet Counter Flashing

Hip and Ridge
Peak /High-Side
Peak Cleat
Slope Transition
Slope Transition at Membrane Roof
ZEE Closure
Offset Cleat
Facisa Cleat
J-Trim

Max-150SL Custom Trim Sheet (for use if custom trim is required)

Custom Trim Sheet

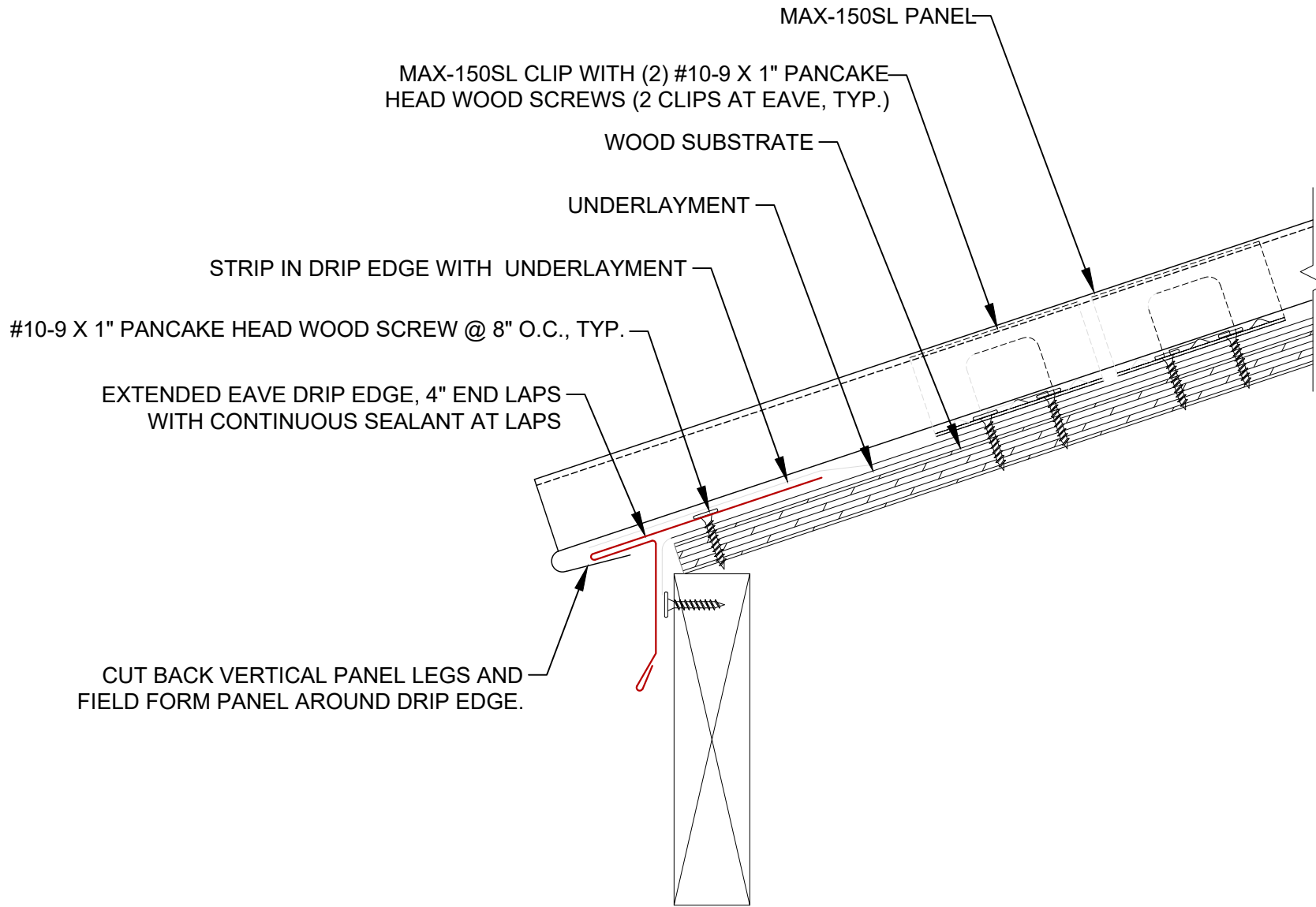


www.metamax.com



Max-150SL Standing Seam Roof Panel Details





NTS = NOT TO SCALE



Description: **MAX-150SL EXTENDED EAVE**

Substrate: **PLYWOOD**

Detail No.:

MetalMax Roofing and Siding
 900 Captain Joe Fulghum Dr.
 Murfreesboro, TN 37129
 (615)494-1693
 www.MetalMax.com

MAX-150SL CLIP WITH (2) #10-9 X 1" PANCAKE HEAD WOOD SCREWS, 2 CLIPS PER EAVE (TYP.)

MAX-150SL PANEL

WOOD SUBSTRATE

UNDERLAYMENT

STRIP IN DRIP EDGE WITH UNDERLAYMENT

#10-9 X 1" PANCAKE HEAD WOOD SCREW @ 8" O.C. (TYP.)

EXTENDED EAVE DRIP EDGE, 4" END LAPS WITH CONTINUOUS SEALANT AT LAPS

CUT BACK VERTICAL PANEL LEGS AND FIELD FORM PANEL AROUND DRIP EDGE.

18 GA. GALVANIZED STEEL HIDDEN HANGER (BY OTHERS) @ 24" O.C.

7" GUTTER, LAP AND SEAL WITH 2 ROWS OF APPROVED SEALANT. RIVET AT LAPS 2" O.C.

NTS = NOT TO SCALE

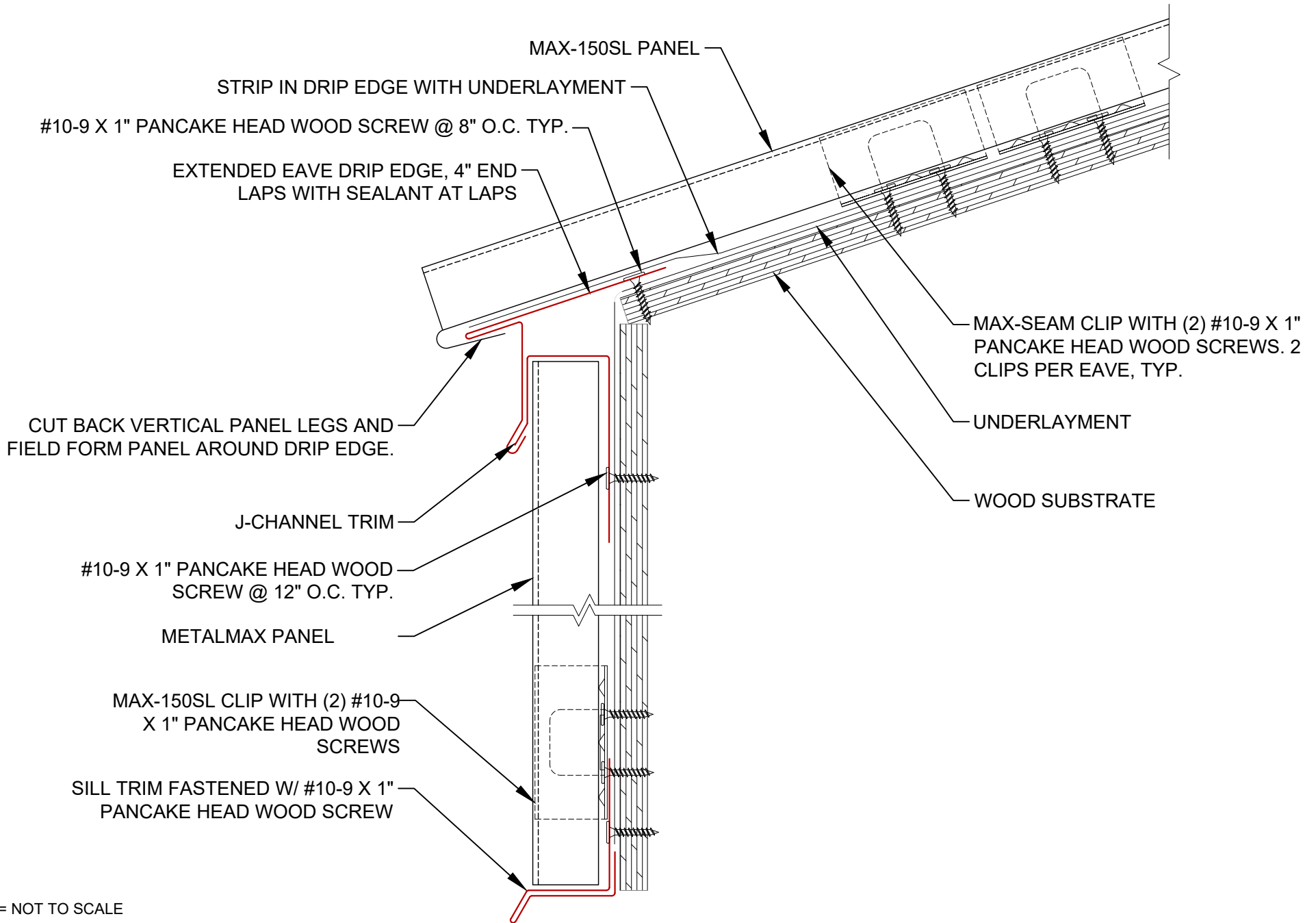


Description: **MAX-150SL EXTENDED EAVE W/ GUTTER**

Substrate: **PLYWOOD**

Detail No.:

MetalMax Roofing and Siding
900 Captain Joe Fulghum Dr.
Murfreesboro, TN 37129
(615)494-1693
www.MetalMax.com



NTS = NOT TO SCALE

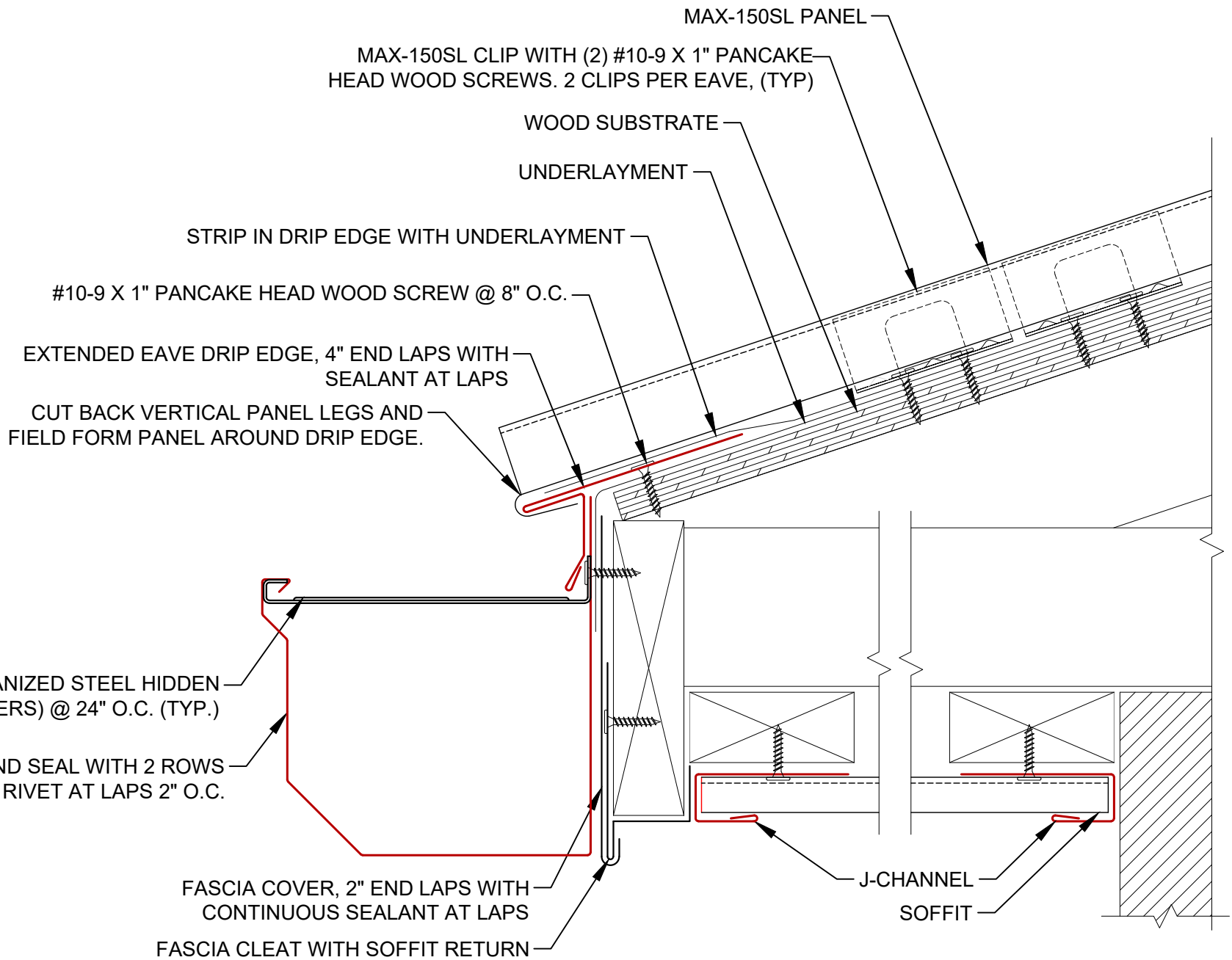


Description:
MAX-150SL EXTENDED EAVE W/ WALL PANELS

Substrate:
PLYWOOD

Detail No.:

MetalMax Roofing and Siding
 900 Captain Joe Fulghum Dr.
 Murfreesboro, TN 37129
 (615)494-1693
 www.MetalMax.com



NTS = NOT TO SCALE



Description:

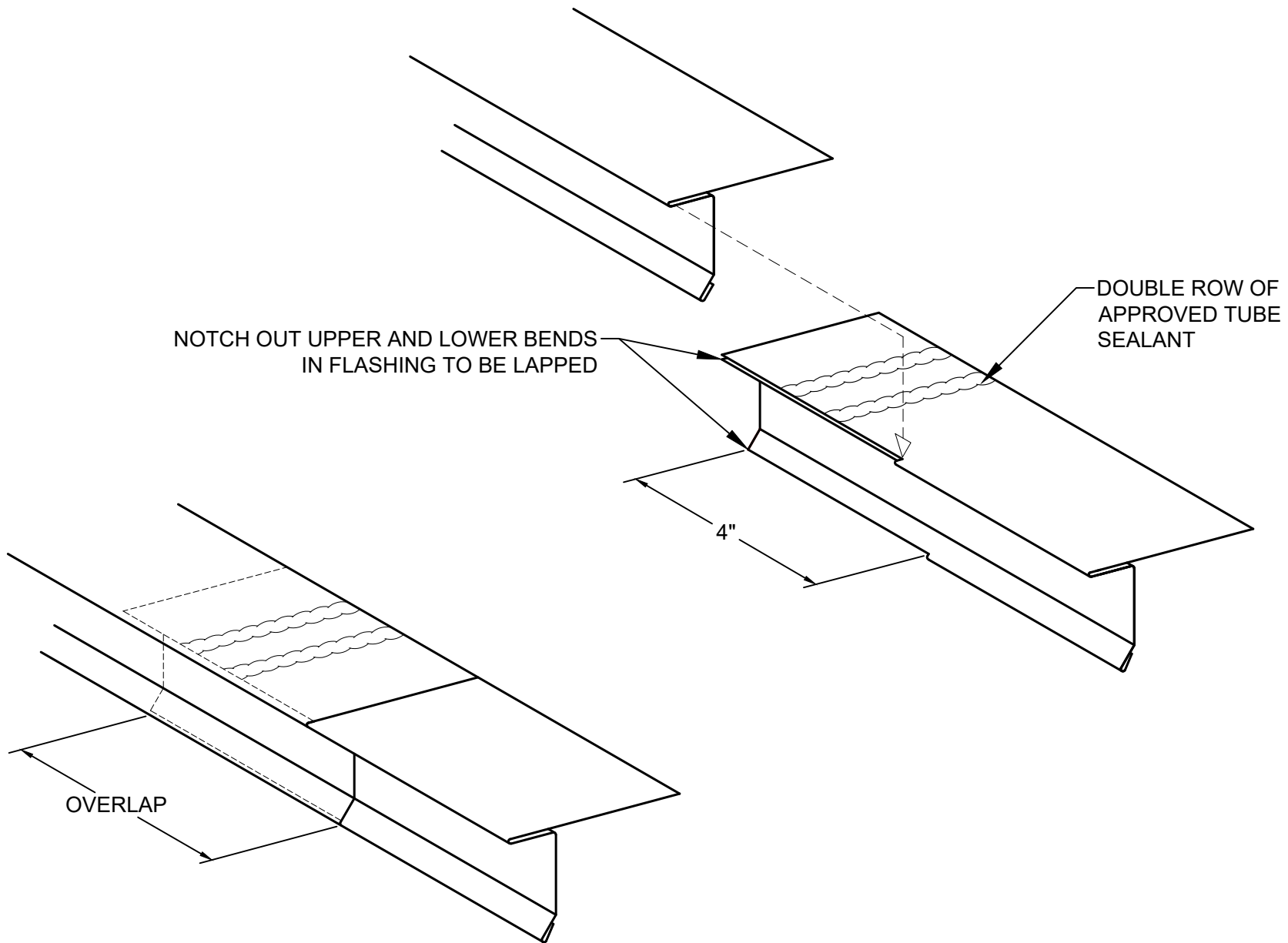
MAX-150SL EXTENDED EAVE W/ SOFFIT & GUTTER

Substrate:

PLYWOOD

Detail No.:

MetalMax Roofing and Siding
 900 Captain Joe Fulghum Dr.
 Murfreesboro, TN 37129
 (615)494-1693
 www.MetalMax.com



NTS = NOT TO SCALE

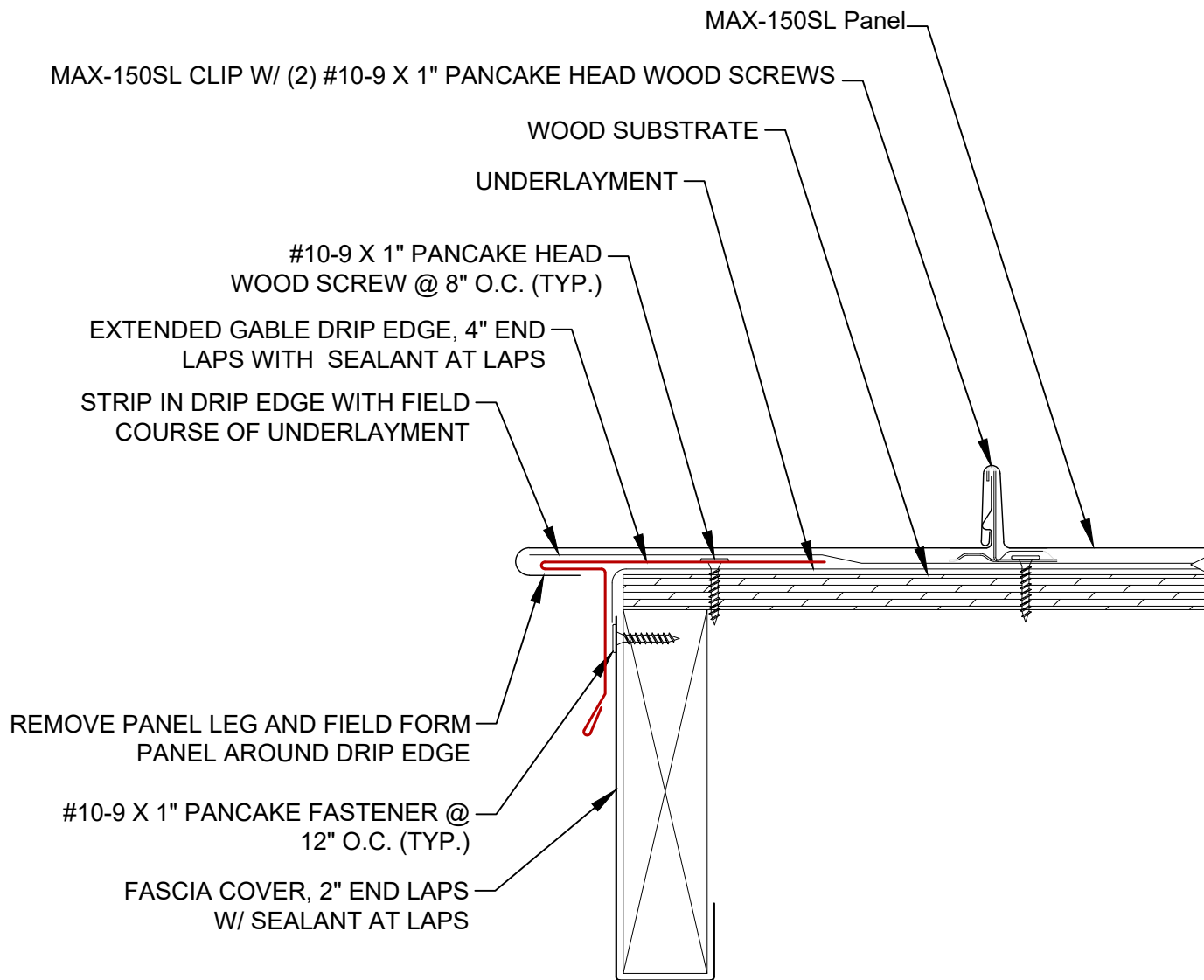


Description: **Max-150SL Extended Eave Lap**

Substrate: **PLYWOOD**

Detail No.:

MetalMax Roofing and Siding
900 Captain Joe Fulghum Dr.
Murfreesboro, TN 37129
(615)494-1693
www.MetalMax.com



NTS = NOT TO SCALE

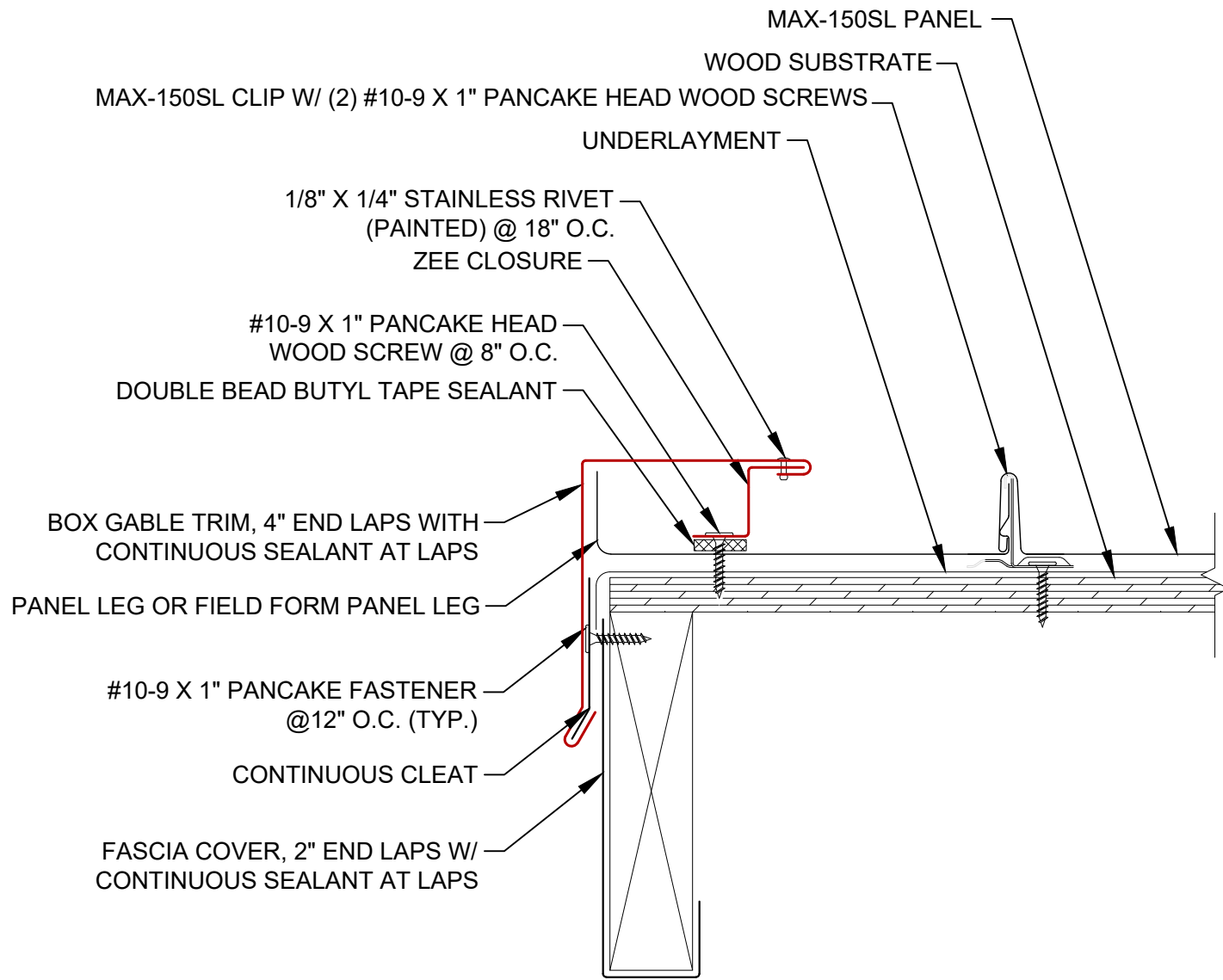


Description: **MAX-150SL EXTENDED DRIP GABLE**

Substrate: **PLYWOOD**

Detail No.:

MetalMax Roofing and Siding
 900 Captain Joe Fulghum Dr.
 Murfreesboro, TN 37129
 (615)494-1693
 www.MetalMax.com



NTS = NOT TO SCALE

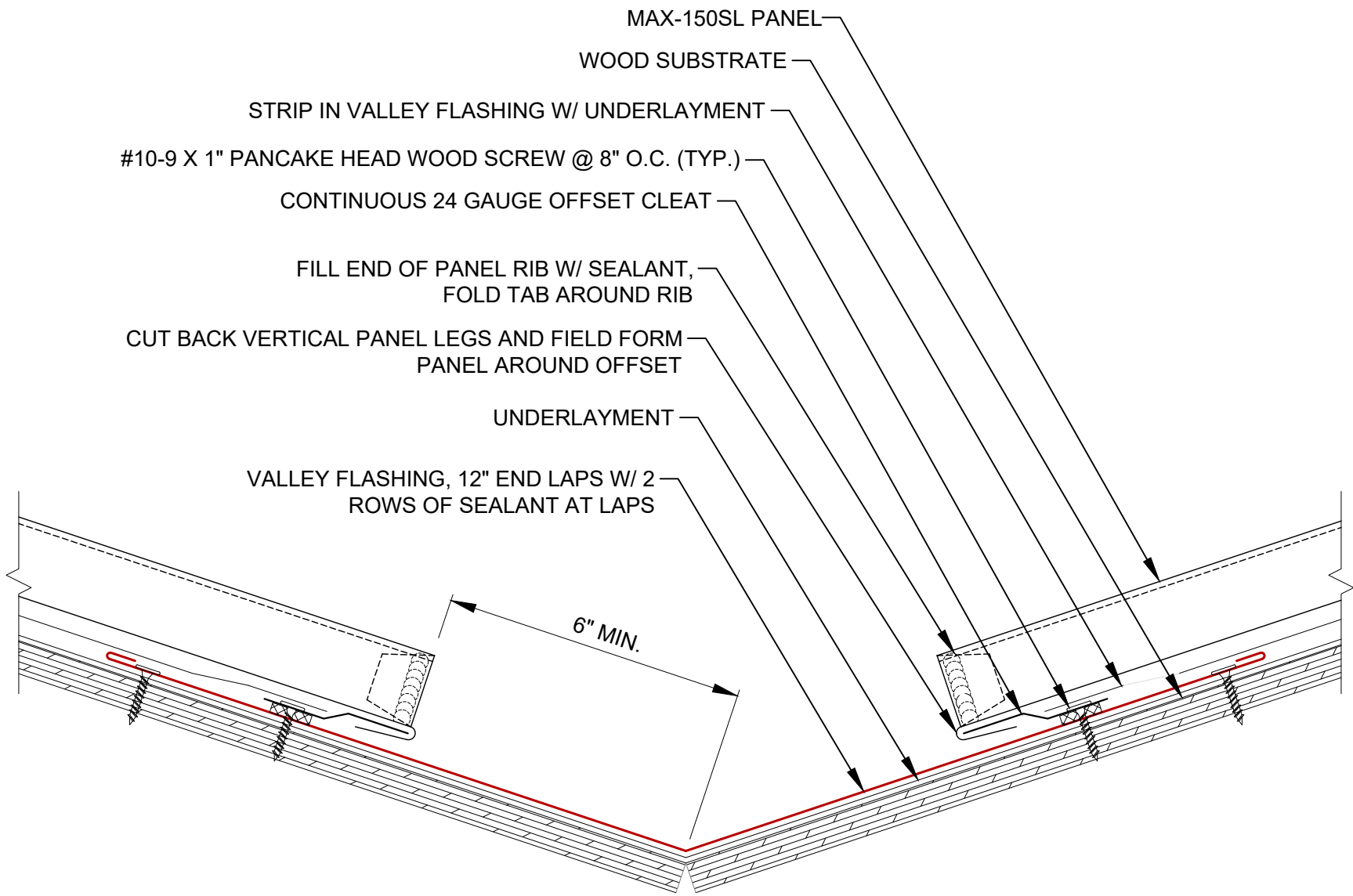


Description: **MAX-150SL BOX GABLE**

Substrate: **PLYWOOD**

Detail No.:

MetalMax Roofing and Siding
 900 Captain Joe Fulghum Dr.
 Murfreesboro, TN 37129
 (615)494-1693
 www.MetalMax.com



NTS = NOT TO SCALE



Description:

MAX-150SL VALLEY

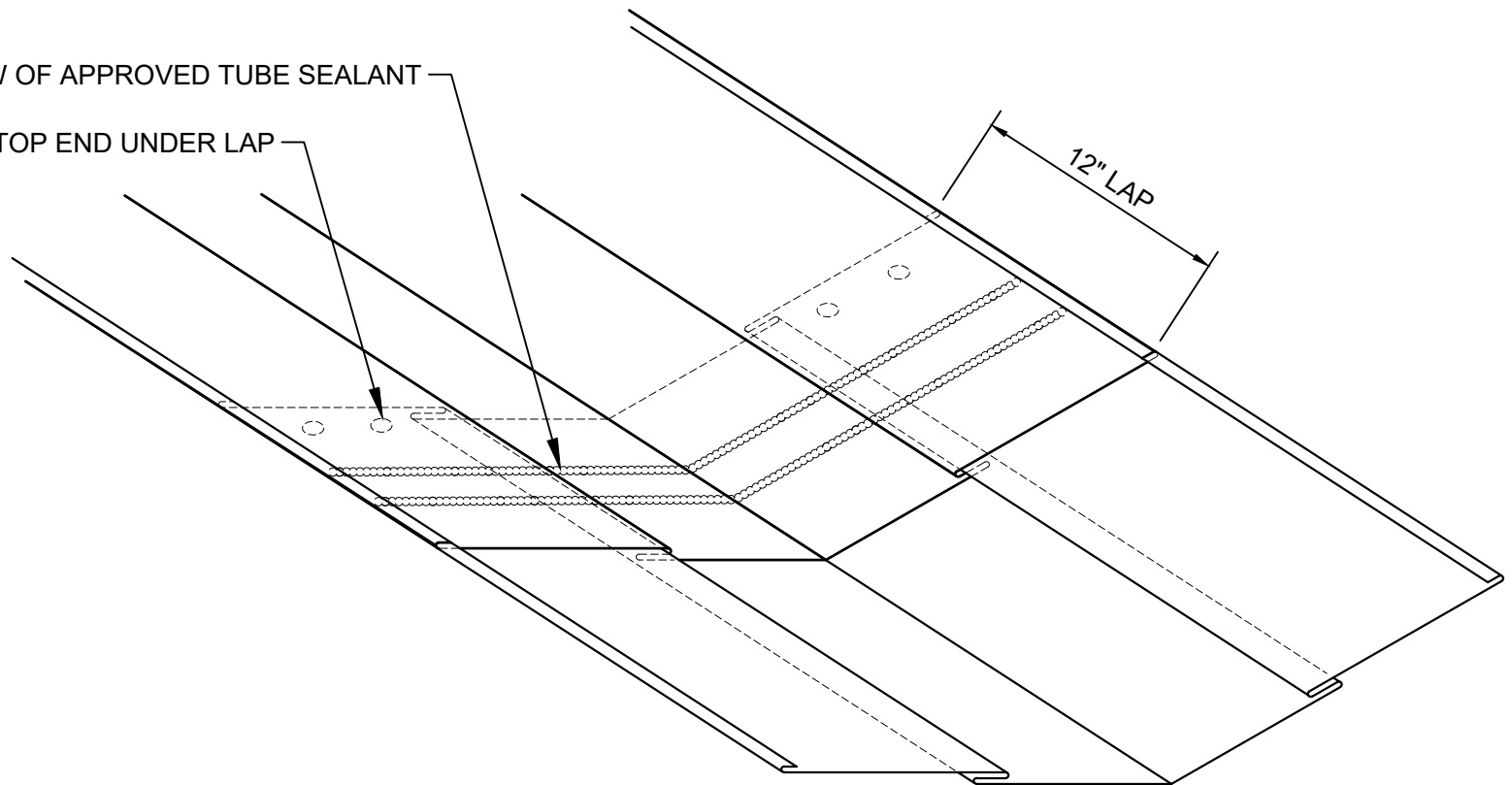
Substrate:

PLYWOOD

Detail No.:

MetalMax Roofing and Siding
 900 Captain Joe Fulghum Dr.
 Murfreesboro, TN 37129
 (615)494-1693
 www.MetalMax.com

DOUBLE ROW OF APPROVED TUBE SEALANT
FASTEN VALLEY AT TOP END UNDER LAP

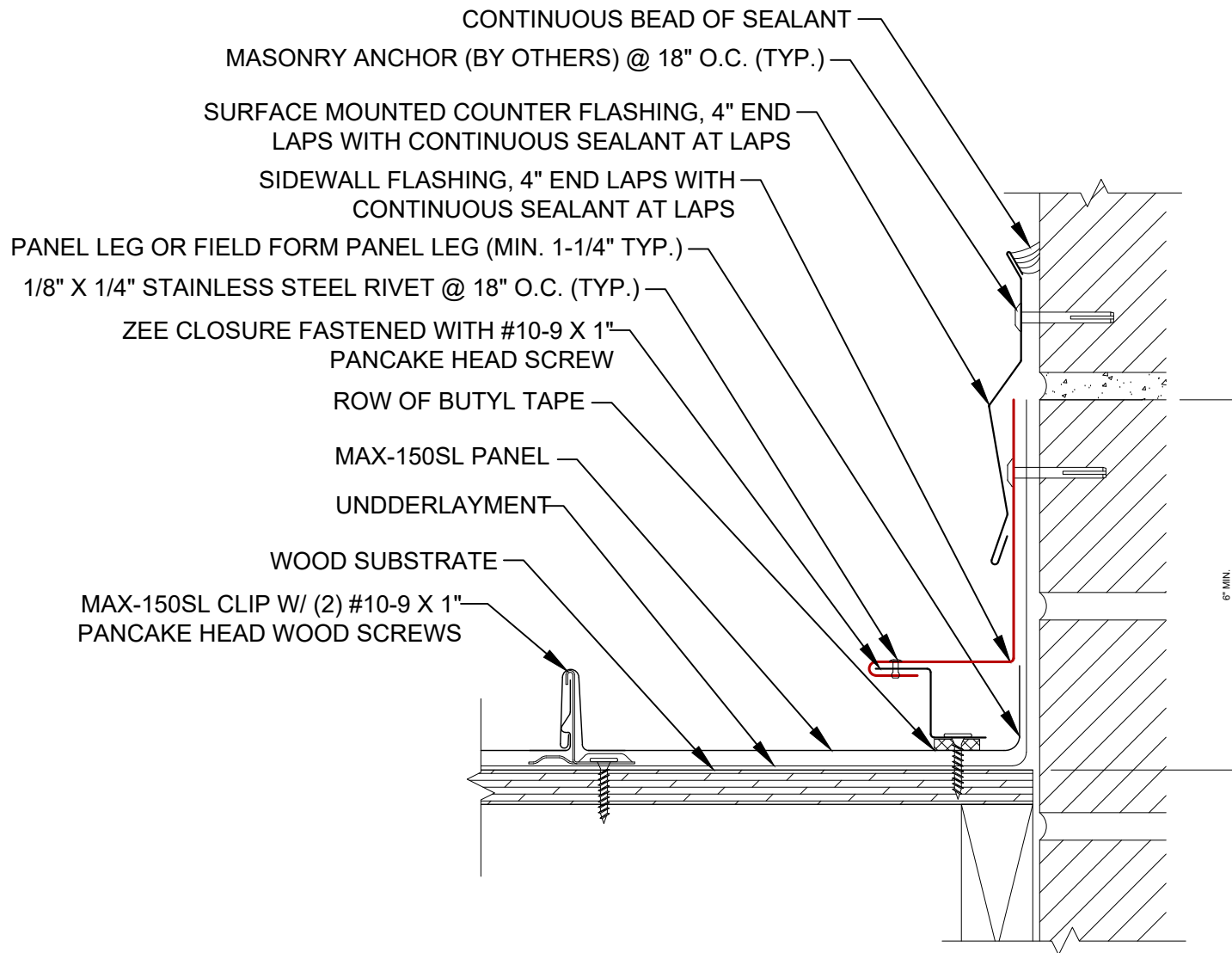


NTS = NOT TO SCALE



Description:		Max-150SL Valley Lap Detail
Substrate:	PLYWOOD	
Detail No.:		

MetalMax Roofing and Siding
900 Captain Joe Fulghum Dr.
Murfreesboro, TN 37129
(615)494-1693
www.MetalMax.com

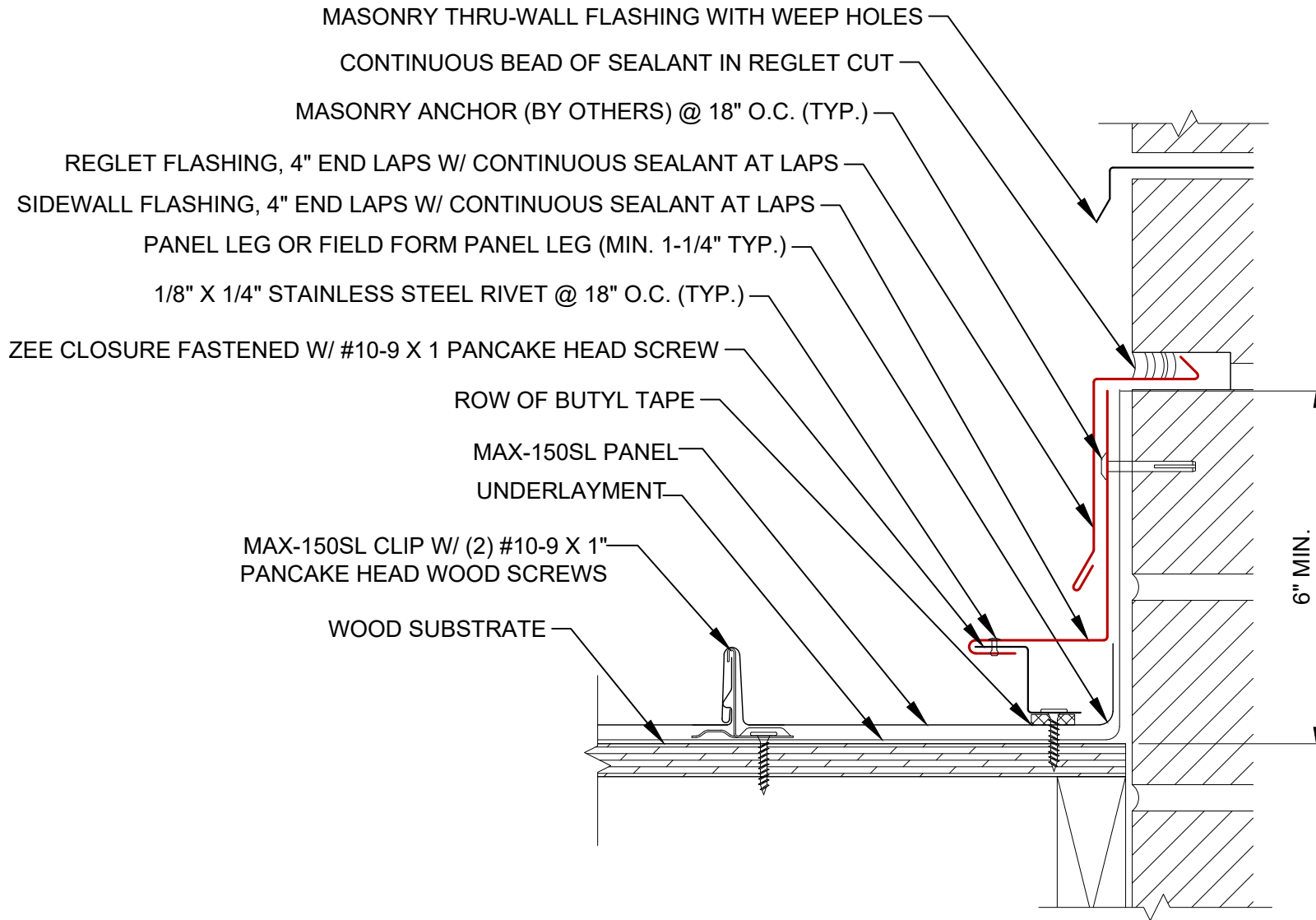


Description:
MAX-150SL SIDEWALL W-SURFACE MOUNT COUNTER FLASHING

Substrate:
PLYWOOD

Detail No.:

MetalMax Roofing and Siding
 900 Captain Joe Fulghum Dr.
 Murfreesboro, TN 37129
 (615)494-1693
 www.MetalMax.com

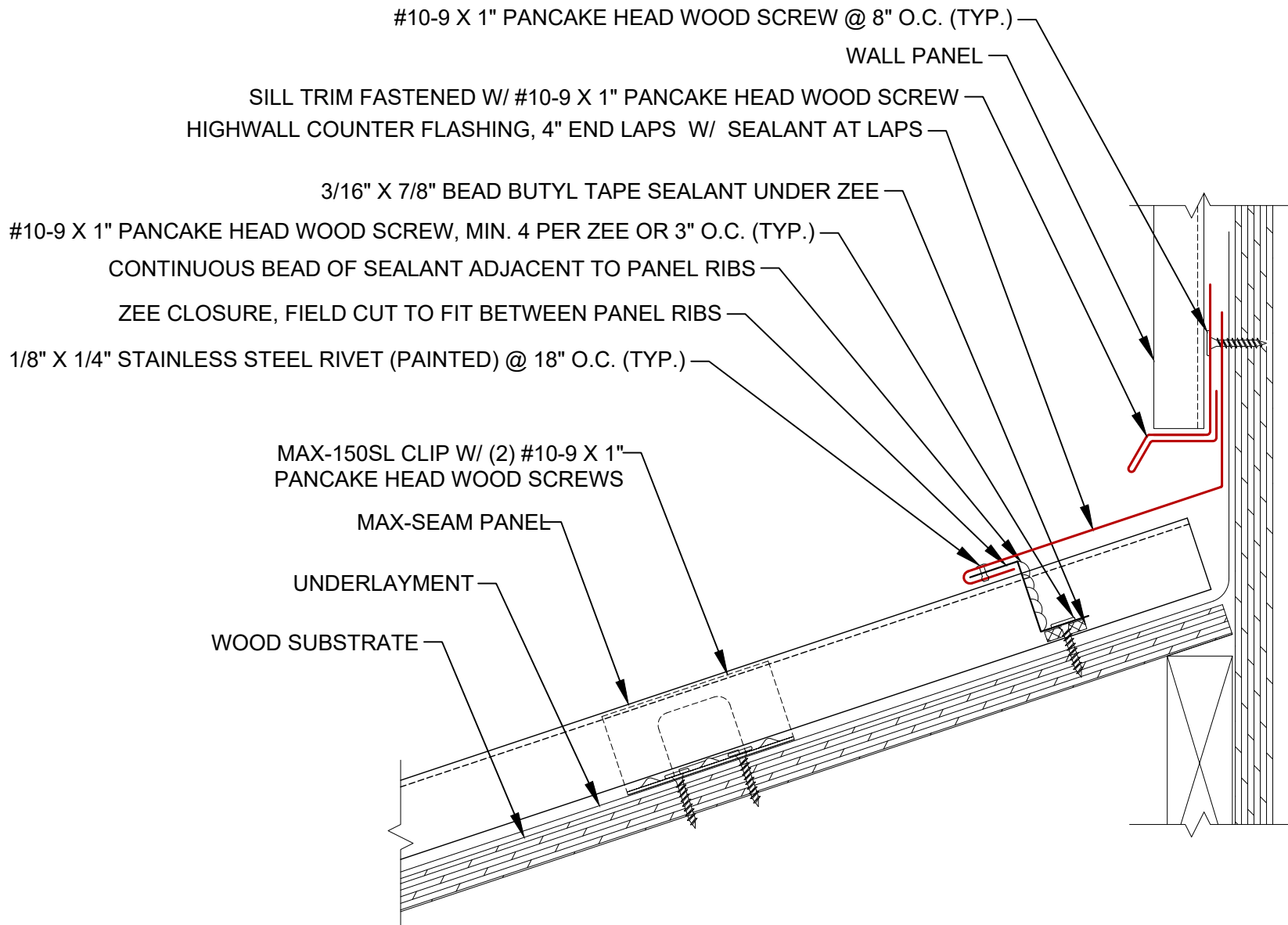


Description:
MAX-150SL SIDEWALL W/ REGLET COUNTER-FLASHING

Substrate:
PLYWOOD

Detail No.:

MetalMax Roofing and Siding
 900 Captain Joe Fulghum Dr.
 Murfreesboro, TN 37129
 (615)494-1693
 www.MetalMax.com



NTS = NOT TO SCALE

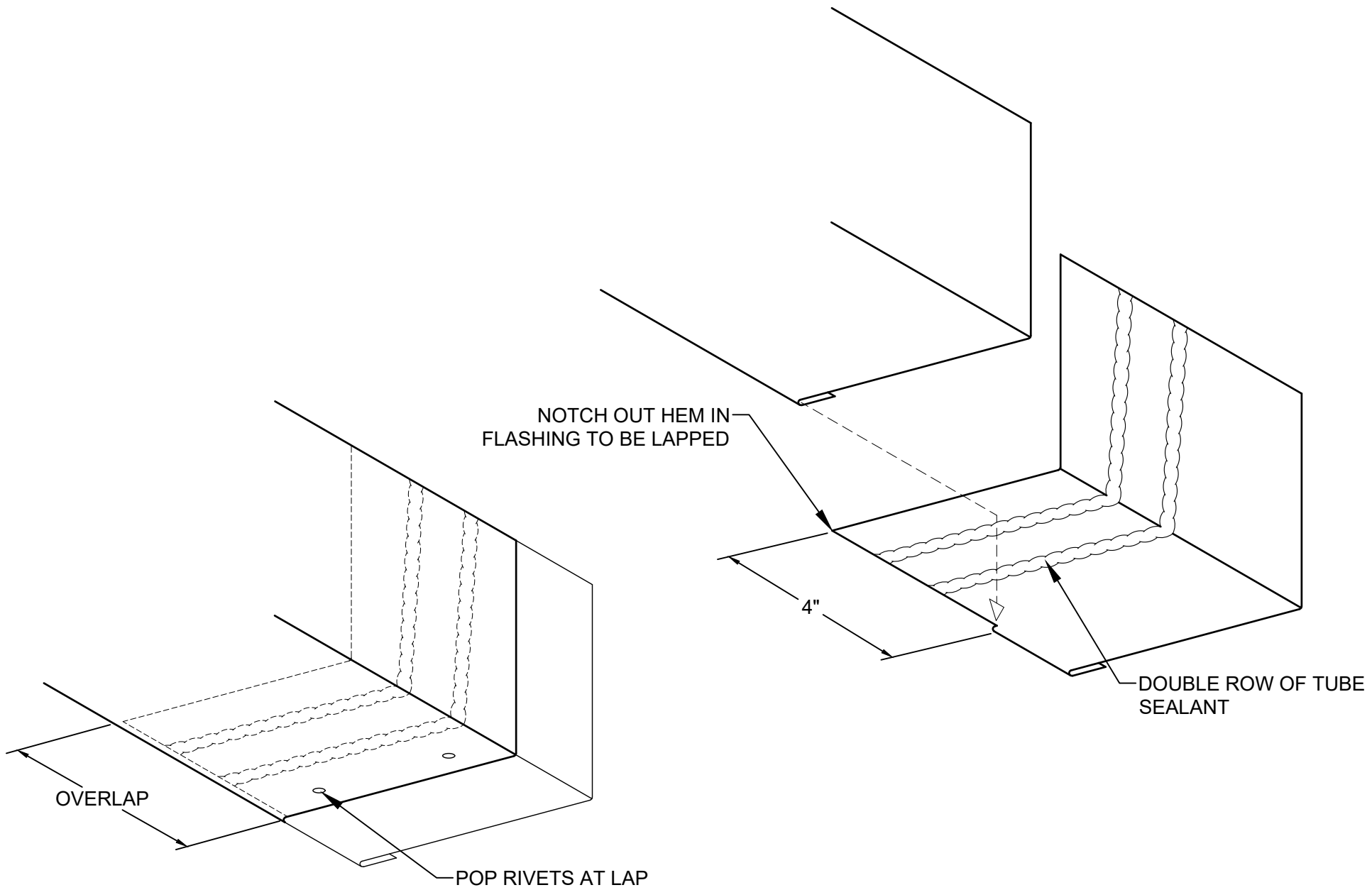


Description: **MAX-150SL HIGHWALL w/ WALL PANEL**

Substrate: **PLYWOOD**

Detail No.:

MetalMax Roofing and Siding
 900 Captain Joe Fulghum Dr.
 Murfreesboro, TN 37129
 (615)494-1693
 www.MetalMax.com

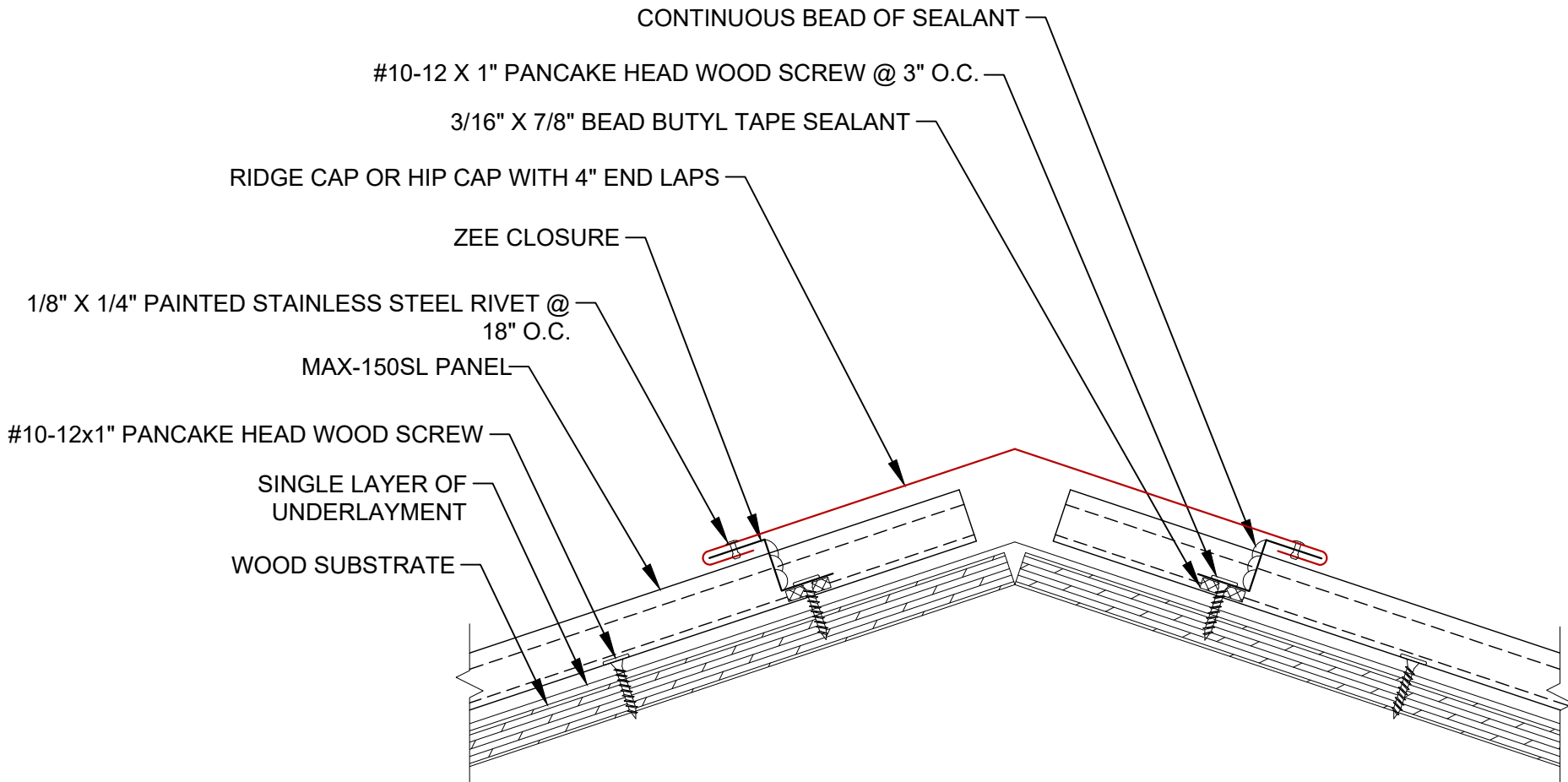


Description: **Max-150SL Highwall Lap Detail**

Substrate: **PLYWOOD**

Detail No.:

MetalMax Roofing and Siding
 900 Captain Joe Fulghum Dr.
 Murfreesboro, TN 37129
 (615)494-1693
 www.MetalMax.com

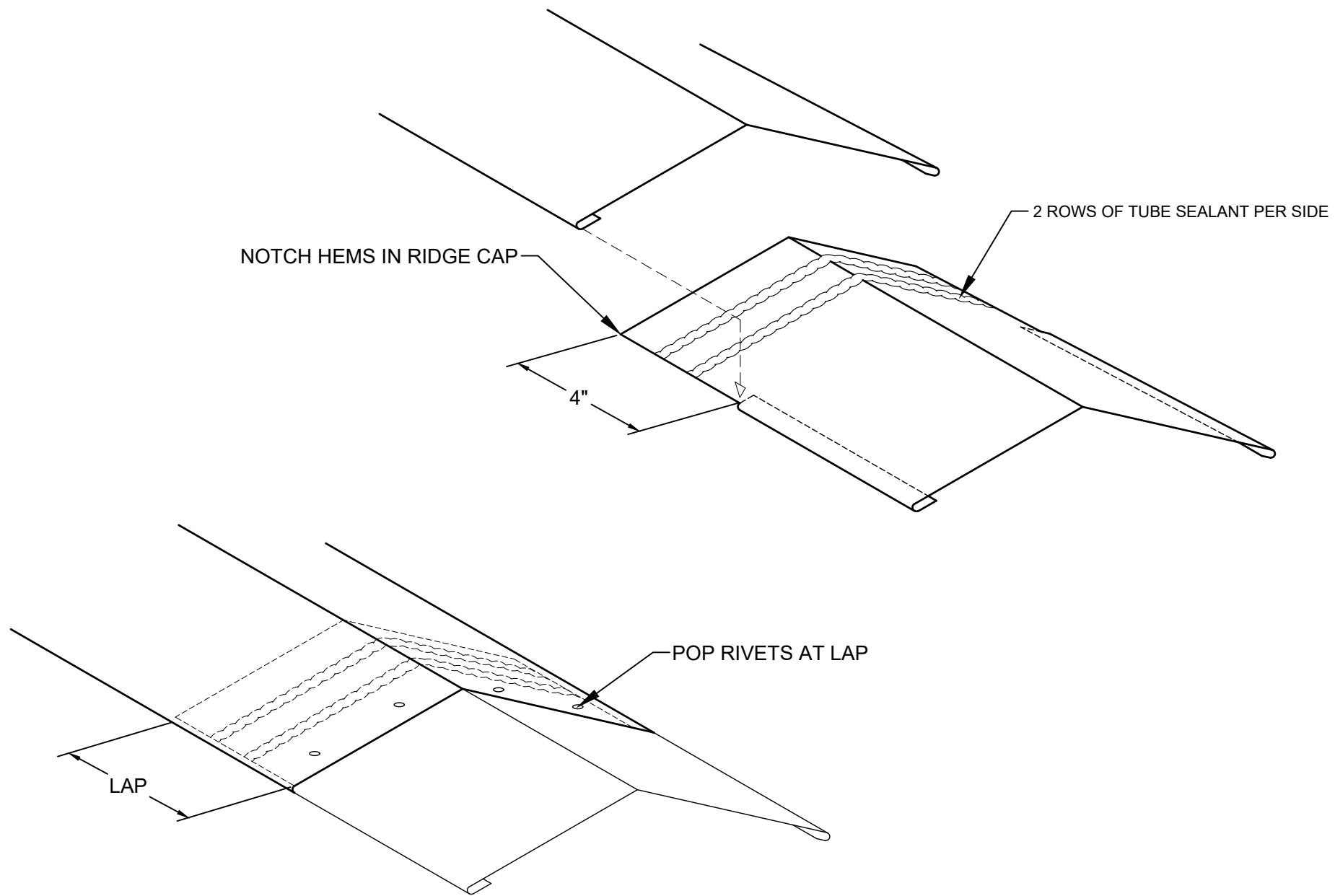


NTS = NOT TO SCALE



Description:		<h2>Max-150SL Hip and Ridge Cap Detail</h2>
Substrate:	PLYWOOD	
Detail No.:		

MetalMax Roofing and Siding
 900 Captain Joe Fulghum Dr.
 Murfreesboro, TN 37129
 (615)494-1693
www.MetalMax.com

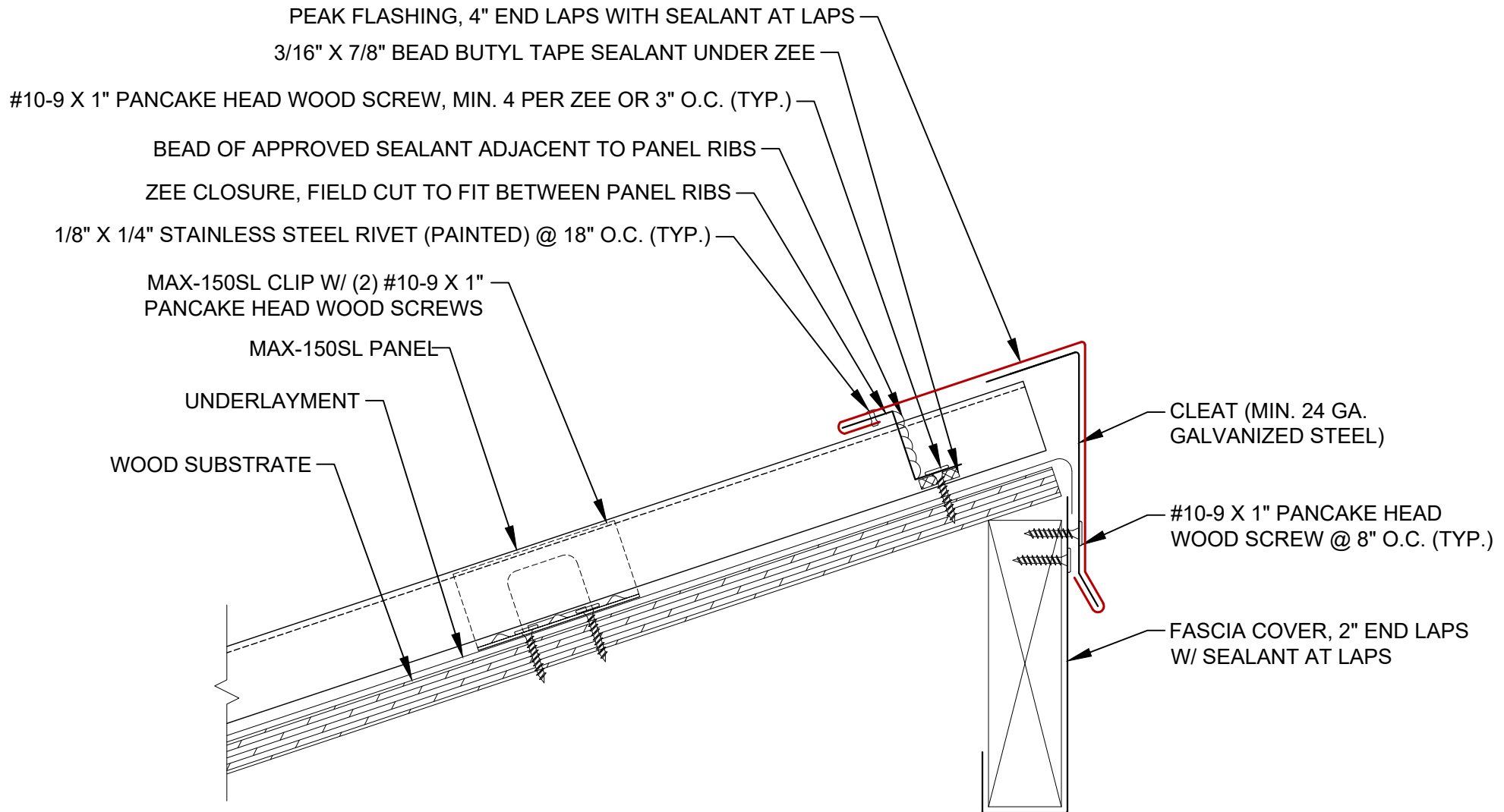


NTS = NOT TO SCALE



Description:		<h2>Max-150SL Ridge and Hip Lap Detail</h2>
Substrate:	PLYWOOD	
Detail No.:		

MetalMax Roofing and Siding
 900 Captain Joe Fulghum Dr.
 Murfreesboro, TN 37129
 (615)494-1693
www.MetalMax.com

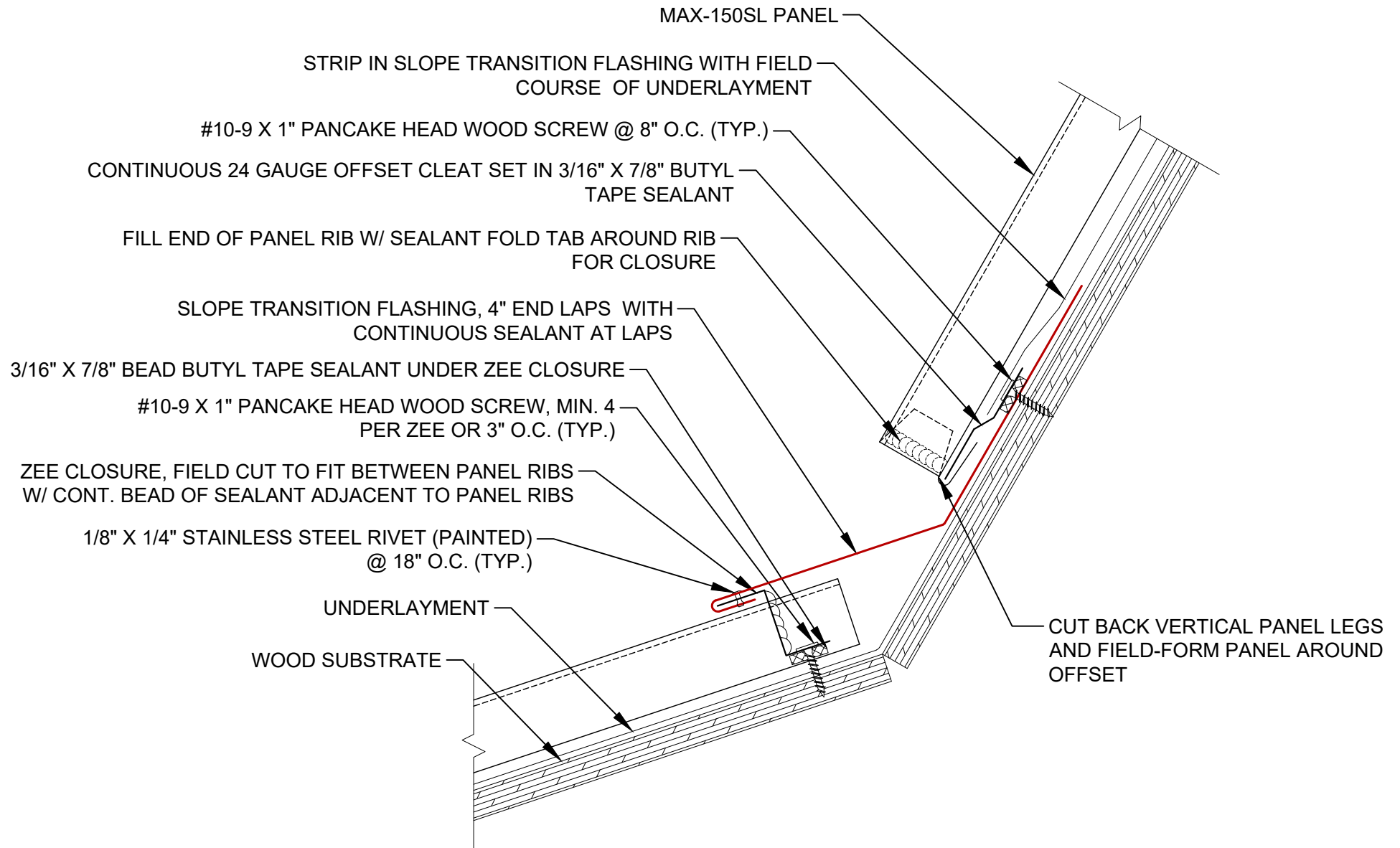


NTS = NOT TO SCALE



Description:		MAX-150SL HIGH EAVE / PEAK	
Substrate:	PLYWOOD	Detail No.:	

MetalMax Roofing and Siding
 900 Captain Joe Fulghum Dr.
 Murfreesboro, TN 37129
 (615)494-1693
 www.MetalMax.com



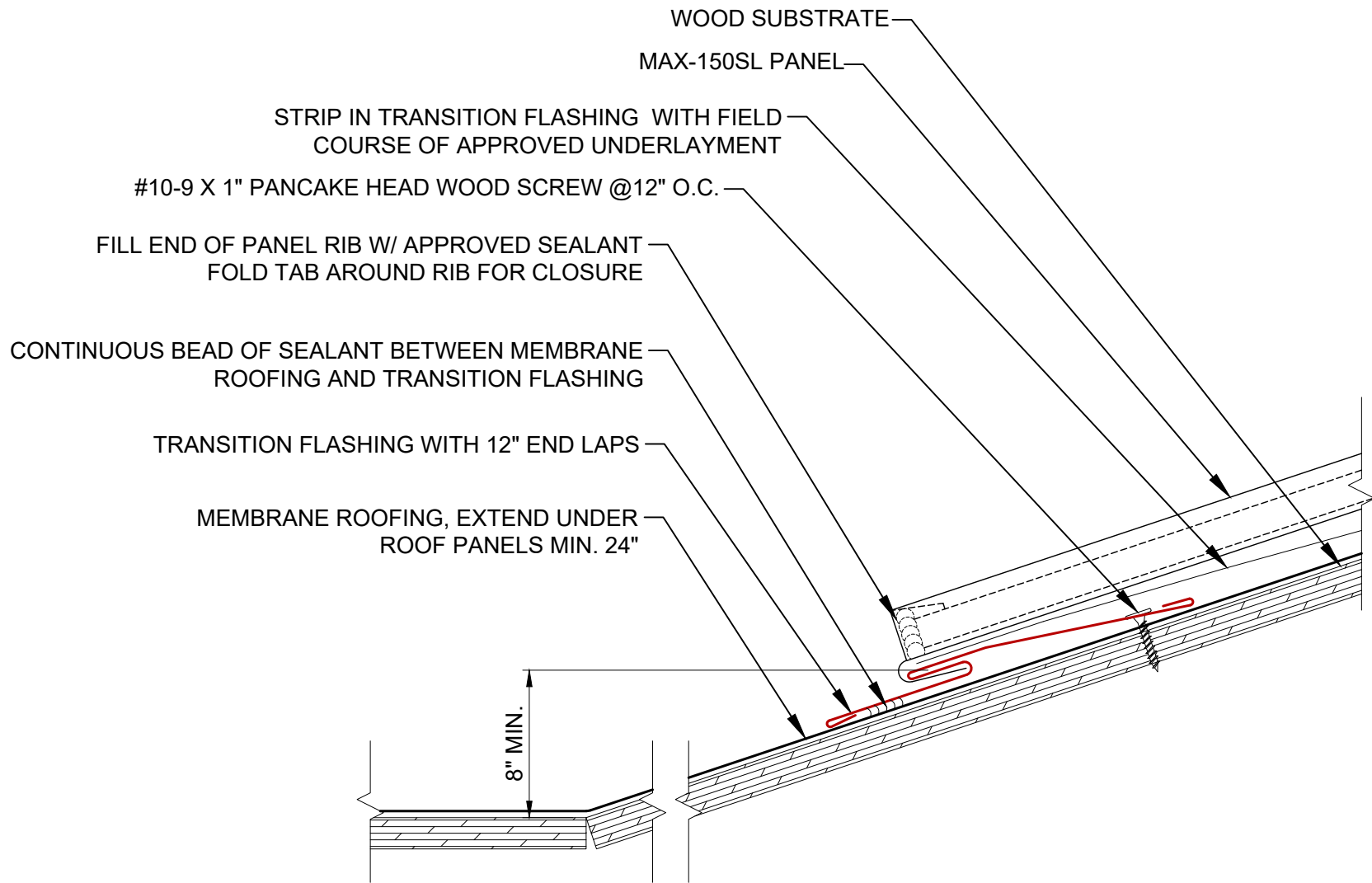
Description: **MAX-150SL SLOPE TRANSITION**

Substrate: **PLYWOOD**

Detail No.:

MetalMax Roofing and Siding
 900 Captain Joe Fulghum Dr.
 Murfreesboro, TN 37129
 (615)494-1693
 www.MetalMax.com





NTS = NOT TO SCALE



Description: **Max-150SL Slope Transition at Membrane Roofing**

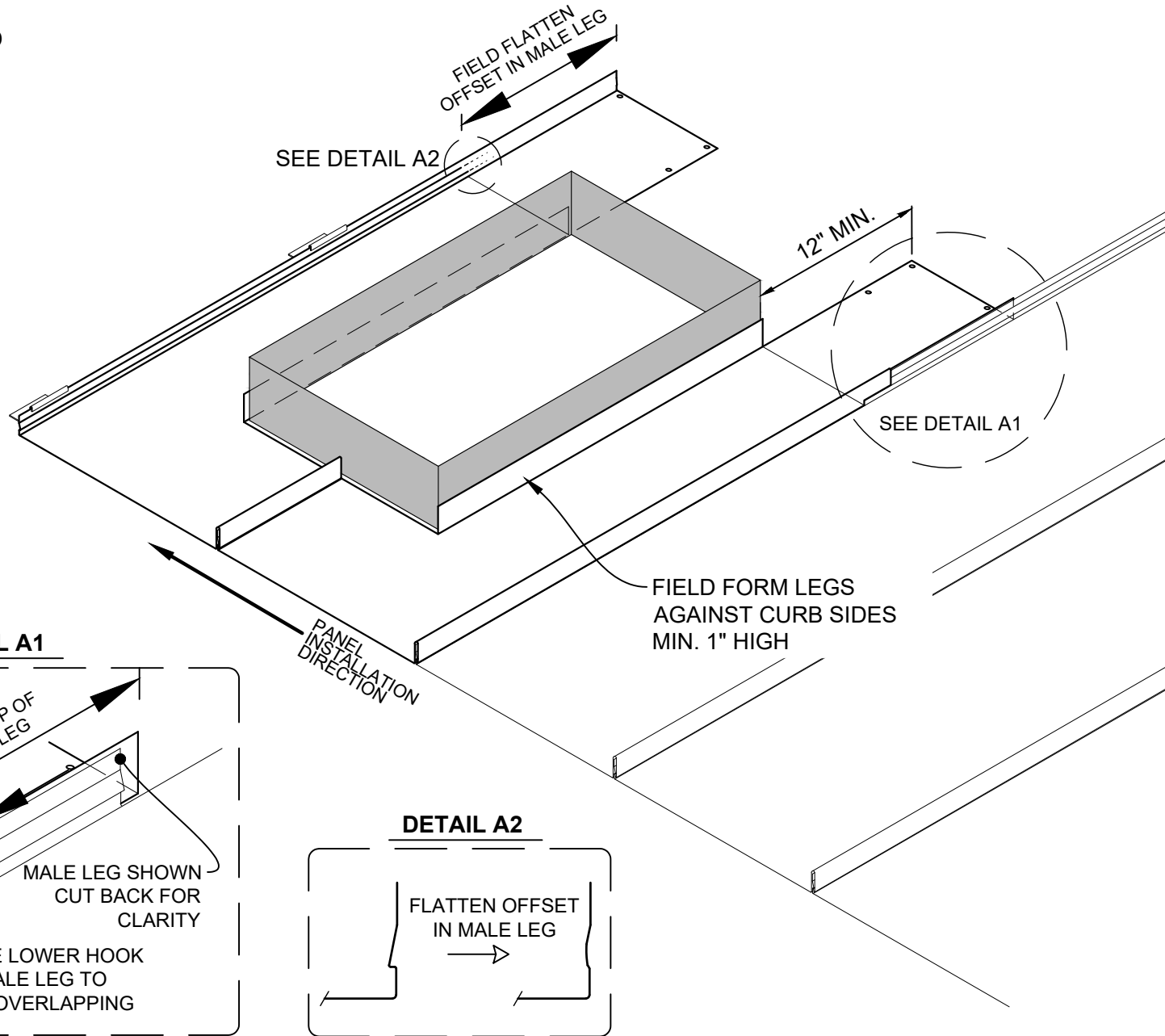
Substrate: **PLYWOOD**

Detail No.:

MetalMax Roofing and Siding
 900 Captain Joe Fulghum Dr.
 Murfreesboro, TN 37129
 (615)494-1693
 www.MetalMax.com

STEP 1

INSTALL PANELS AROUND CURB.



Description:

Max-150SL Curb Detail - Step 1

Substrate:

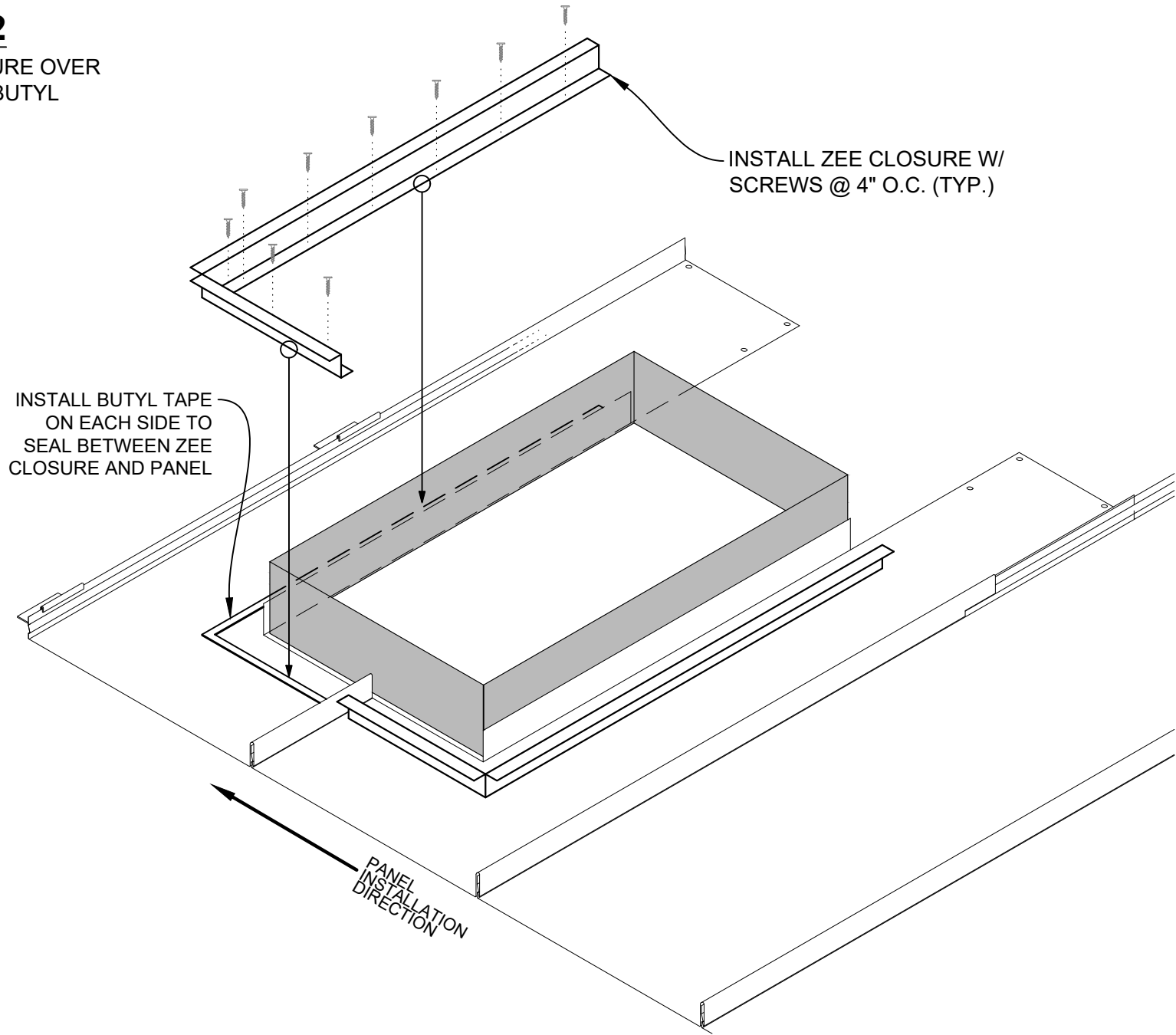
PLYWOOD

Detail No.:

MetalMax Roofing and Siding
900 Captain Joe Fulghum Dr.
Murfreesboro, TN 37129
(615)494-1693
www.MetalMax.com

STEP 2

INSTALL ZEE CLOSURE OVER
DOUBLE BEAD BUTYL



Description:

Max-150SL Curb Detail - Step 2

Substrate:

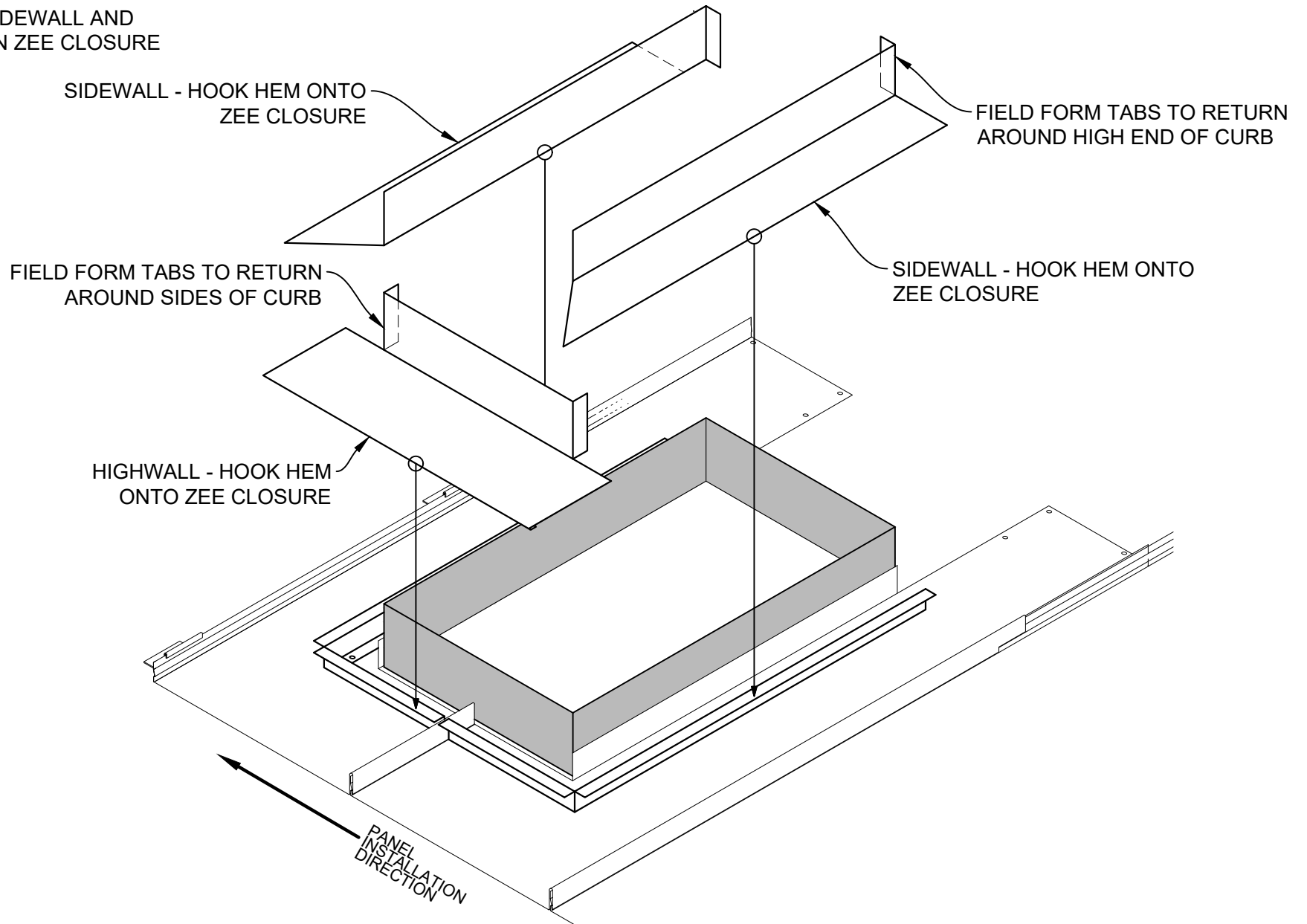
PLYWOOD

Detail No.:

MetalMax Roofing and Siding
900 Captain Joe Fulghum Dr.
Murfreesboro, TN 37129
(615)494-1693
www.MetalMax.com

STEP 3

INSTALL SIDEWALL AND HIGHWALL ON ZEE CLOSURE



Description:

Max-150SL Curb Detail - Step 3

Substrate:

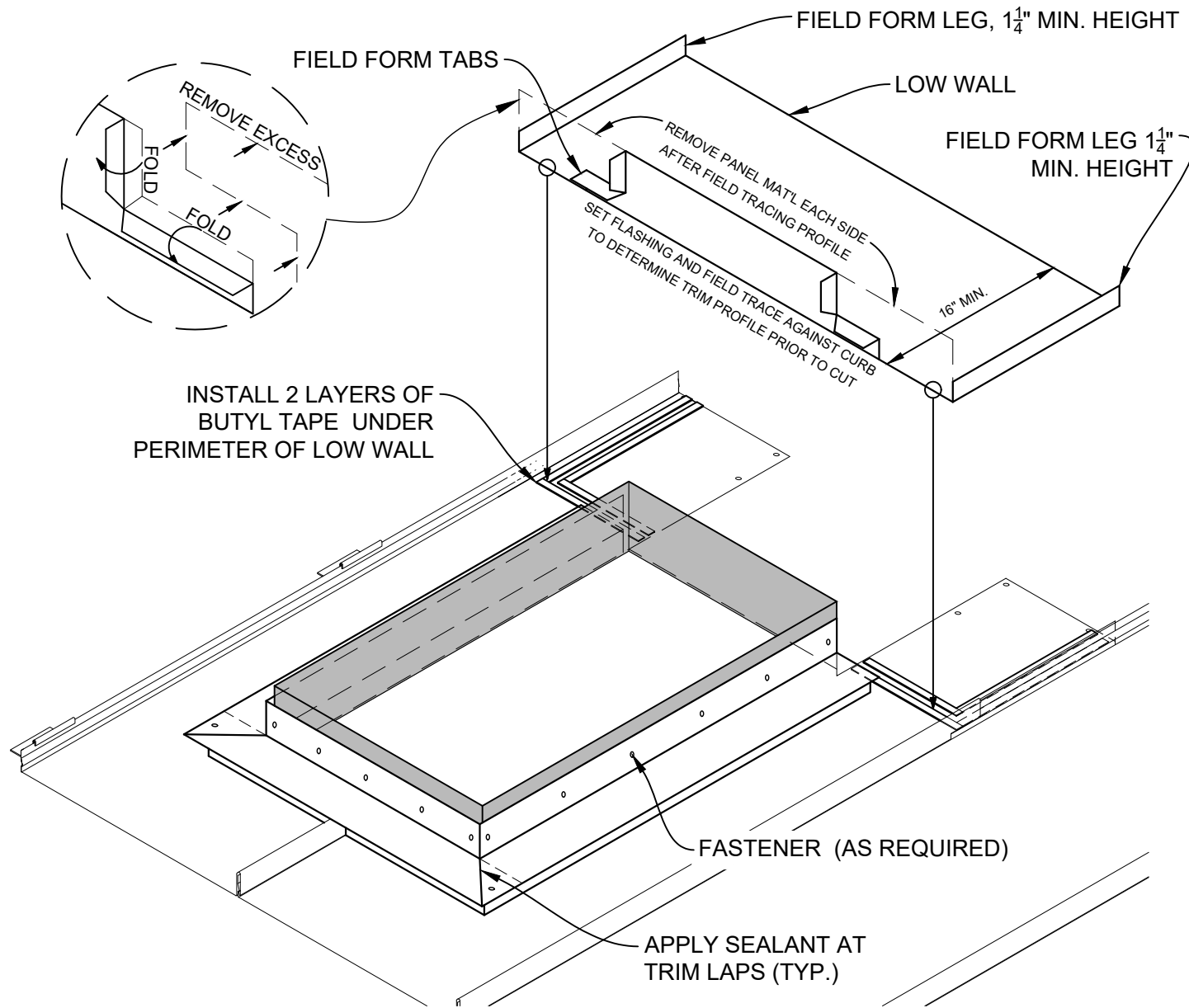
PLYWOOD

Detail No.:

MetalMax Roofing and Siding
900 Captain Joe Fulghum Dr.
Murfreesboro, TN 37129
(615)494-1693
www.MetalMax.com

STEP 4

INSTALL LOW WALL



Description:

Max-150SL Curb Detail - Step 4

Substrate:

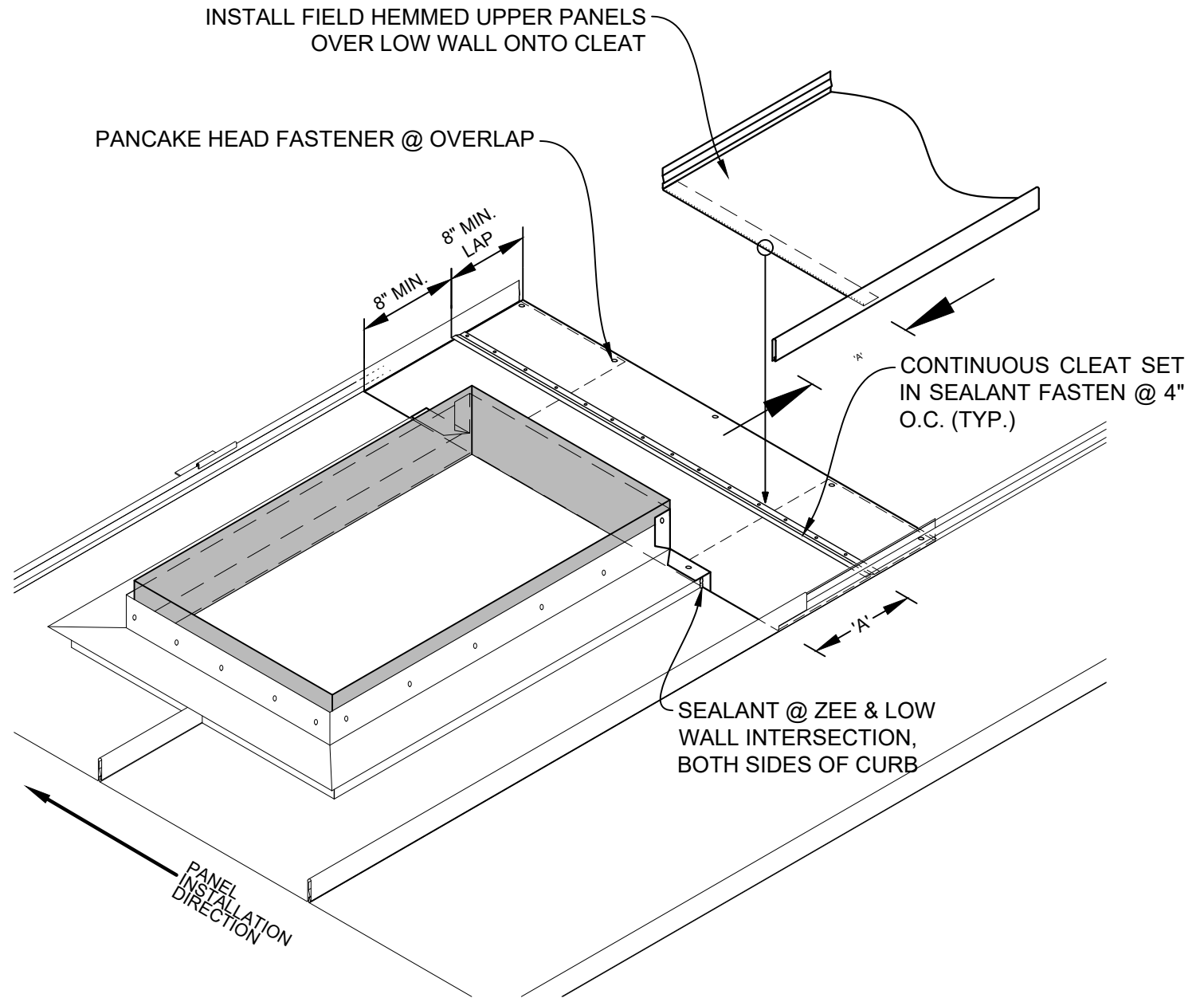
PLYWOOD

Detail No.:

MetalMax Roofing and Siding
900 Captain Joe Fulghum Dr.
Murfreesboro, TN 37129
(615)494-1693
www.MetalMax.com

STEP 5

INSTALL CLEAT AND
PREPARE FOR UPPER PANEL
INSTALLATION



Description:

Max-150SL Curb Detail - Step 5

Substrate:

PLYWOOD

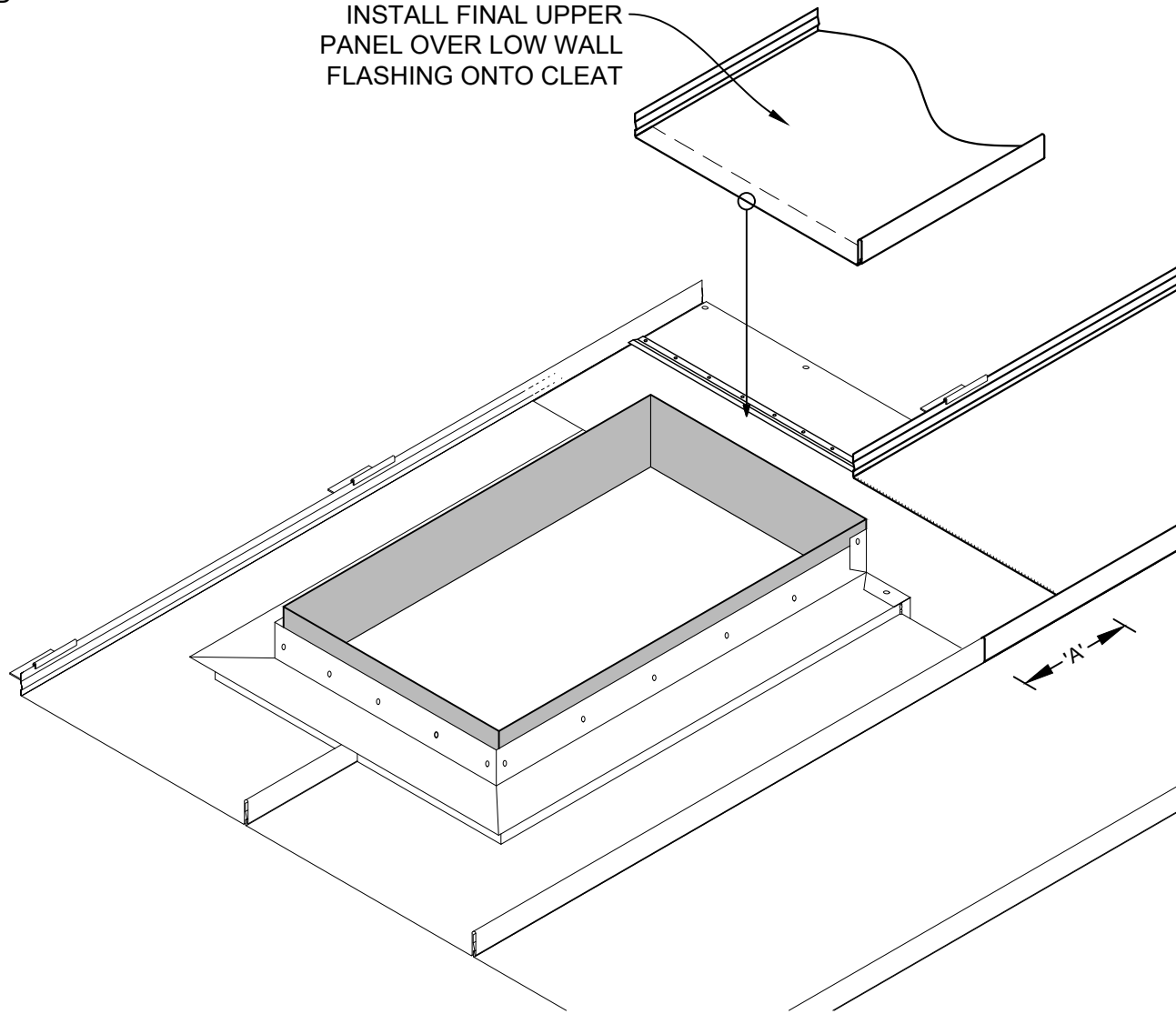
Detail No.:

MetalMax Roofing and Siding
900 Captain Joe Fulghum Dr.
Murfreesboro, TN 37129
(615)494-1693
www.MetalMax.com

STEP 6

INSTALL FINAL SEAL AND
FASTEN AS REQUIRED

INSTALL FINAL UPPER
PANEL OVER LOW WALL
FLASHING ONTO CLEAT



Description:

Max-150SL Curb Detail - Step 6

Substrate:

PLYWOOD

Detail No.:

MetalMax Roofing and Siding
900 Captain Joe Fulghum Dr.
Murfreesboro, TN 37129
(615)494-1693
www.MetalMax.com

CONTINUOUS BEAD OF SEALANT AROUND
TOP OF BOOT

STAINLESS STEEL PIPE CLAMP

PIPE BOOT

12-14 X 1" S.D. W/ WASHER @ 1" O.C.

MINIMUM 1" BETWEEN FLANGE OF
BOOT FLASHING AND PANEL RIBS

7"

CONTINUOUS TUBE SEALANT AROUND
BASE OF PIPE

LEAVE MINIMUM 1/2" CLEARANCE
AROUND PENETRATION

SET SECUREMENT RING IN BEAD
OF TUBE SEALANT

UNDERLAYMENT

WOOD SUBSTRATE

NTS = NOT TO SCALE



Description:

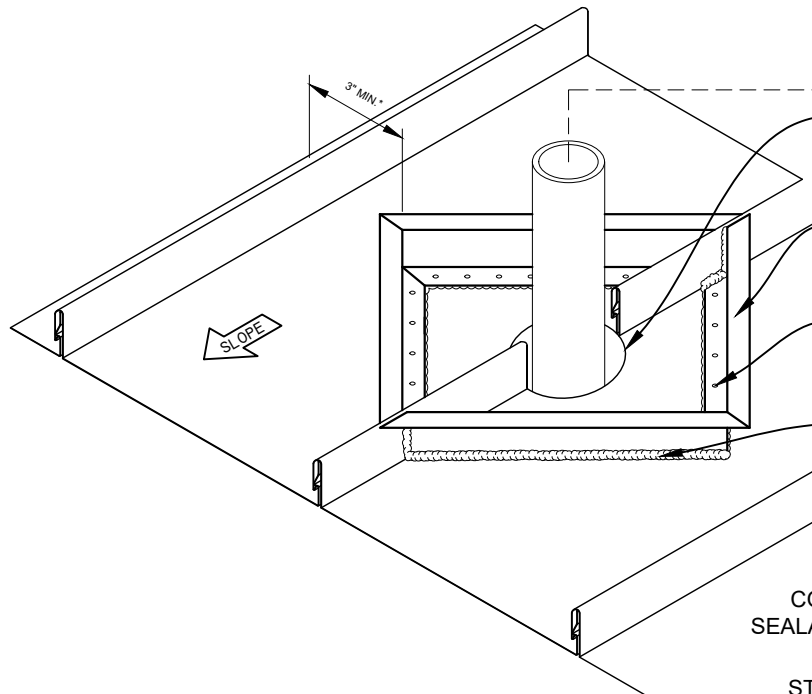
Max-150SL Pipe Penetration Detail

Substrate:

PLYWOOD

Detail No.:

MetalMax Roofing and Siding
900 Captain Joe Fulghum Dr.
Murfreesboro, TN 37129
(615)494-1693
www.MetalMax.com

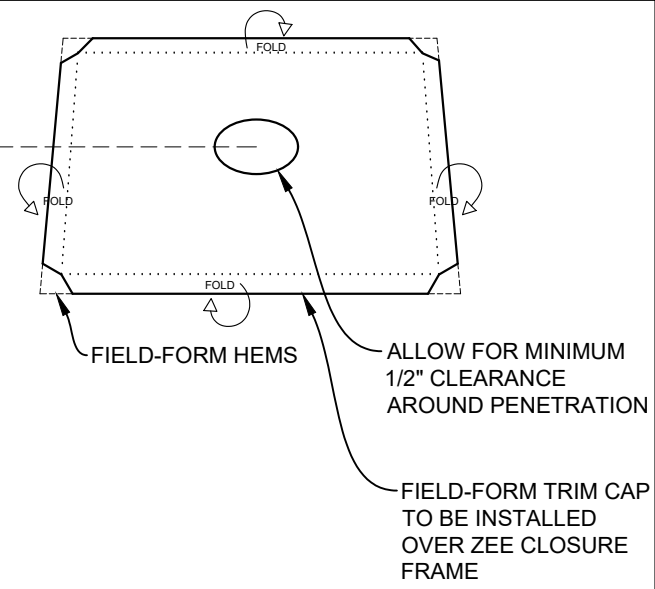


LEAVE 1/2" CLEARANCE AROUND PENETRATION FOR EXPANSION

ZEE CLOSURE, WITH CONTINUOUS BEAD OF TUBE SEALANT

1/8" x 1/7" STAINLESS RIVET @ 2" O.C. MAX.

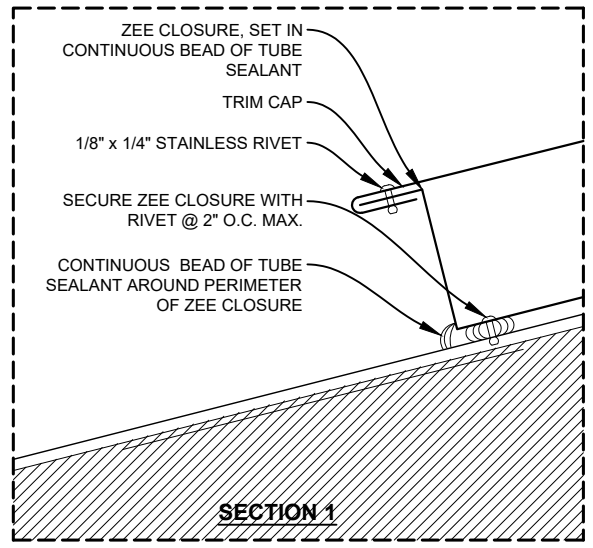
APPLY CONTINUOUS BEAD OF TUBE SEALANT AROUND PERIMETER OF ZEE CLOSURE.



FIELD-FORM HEMS

ALLOW FOR MINIMUM 1/2" CLEARANCE AROUND PENETRATION

FIELD-FORM TRIM CAP TO BE INSTALLED OVER ZEE CLOSURE FRAME



ZEE CLOSURE, SET IN CONTINUOUS BEAD OF TUBE SEALANT

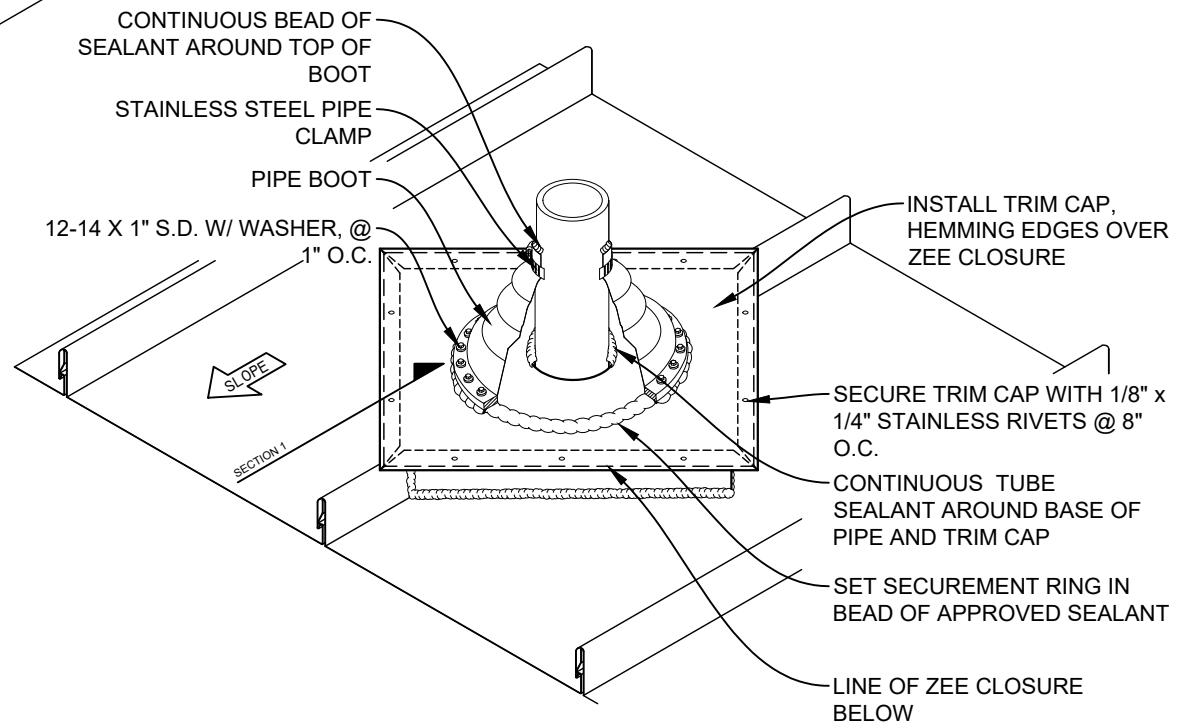
TRIM CAP

1/8" x 1/4" STAINLESS RIVET

SECURE ZEE CLOSURE WITH RIVET @ 2" O.C. MAX.

CONTINUOUS BEAD OF TUBE SEALANT AROUND PERIMETER OF ZEE CLOSURE

SECTION 1



CONTINUOUS BEAD OF SEALANT AROUND TOP OF BOOT

STAINLESS STEEL PIPE CLAMP

PIPE BOOT

12-14 X 1" S.D. W/ WASHER, @ 1" O.C.

INSTALL TRIM CAP, HEMMING EDGES OVER ZEE CLOSURE

SECURE TRIM CAP WITH 1/8" x 1/4" STAINLESS RIVETS @ 8" O.C.

CONTINUOUS TUBE SEALANT AROUND BASE OF PIPE AND TRIM CAP

SET SECUREMENT RING IN BEAD OF APPROVED SEALANT

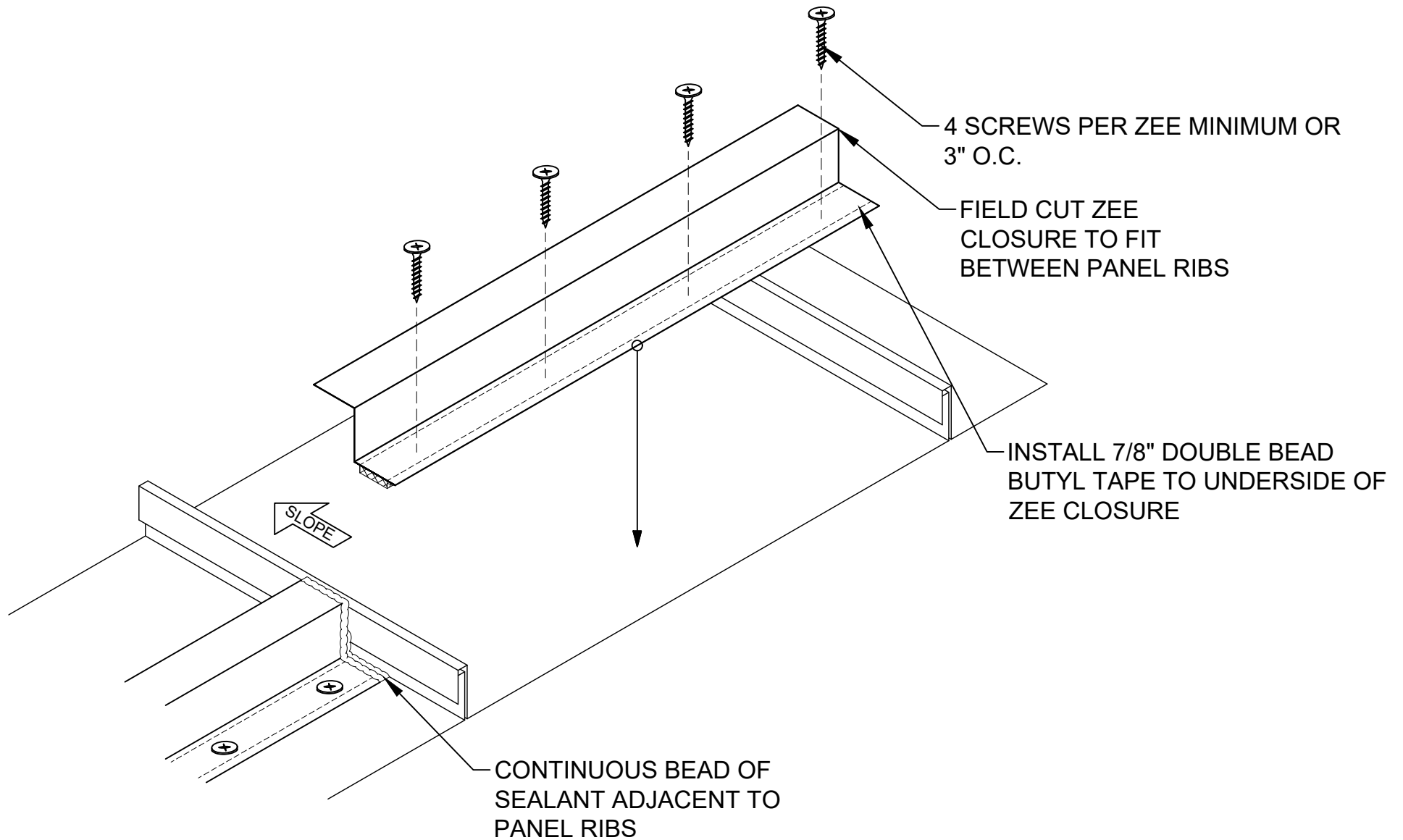
LINE OF ZEE CLOSURE BELOW

NTS = NOT TO SCALE



Description: Max-150SL Pipe Penetration Through SS Rib Detail	
Substrate: PLYWOOD	Detail No.:

MetalMax Roofing and Siding
 900 Captain Joe Fulghum Dr.
 Murfreesboro, TN 37129
 (615)494-1693
 www.MetalMax.com



NTS = NOT TO SCALE



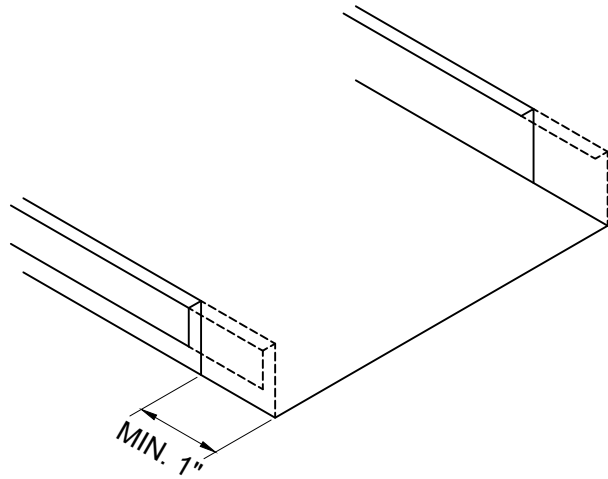
Description: **Max-150SL Zee Closure Installation Detail**

Substrate: **PLYWOOD**

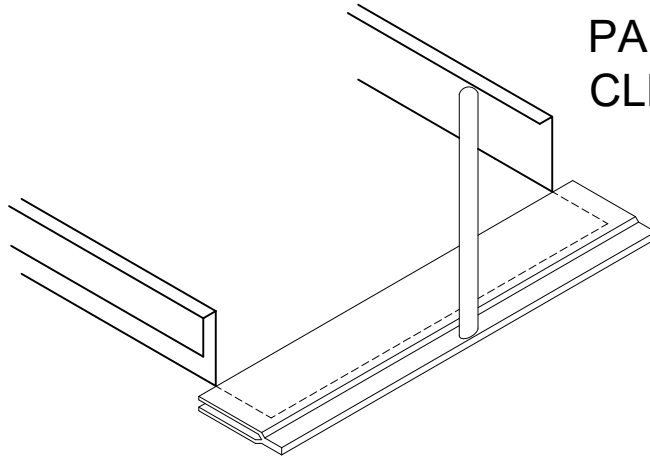
Detail No.:

MetalMax Roofing and Siding
 900 Captain Joe Fulghum Dr.
 Murfreesboro, TN 37129
 (615)494-1693
 www.MetalMax.com

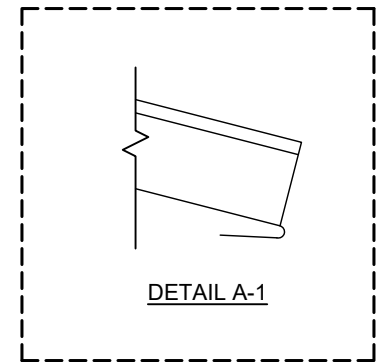
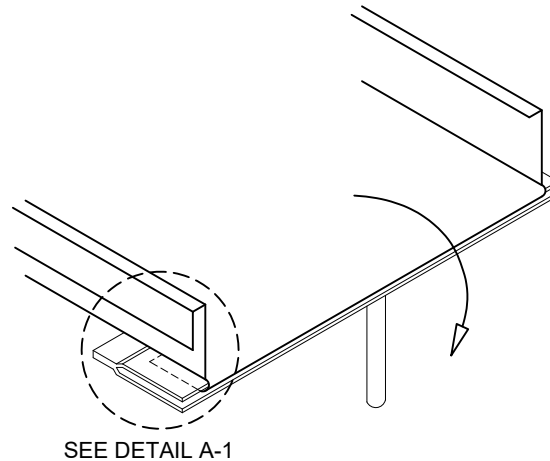
1: FIELD NOTCH RIBS AND REMOVE



2: ENGAGE PANEL HEMMING TOOL OVER FLAT PART OF PANEL TO ACCEPT OFFSET CLEAT



3: BEND TO FORM OPEN HEM



NTS = NOT TO SCALE



Description:

Max-150SL Panel End, Field Hem Detail

Substrate:

PLYWOOD

Detail No.:

MetalMax Roofing and Siding
900 Captain Joe Fulghum Dr.
Murfreesboro, TN 37129
(615)494-1693
www.MetalMax.com



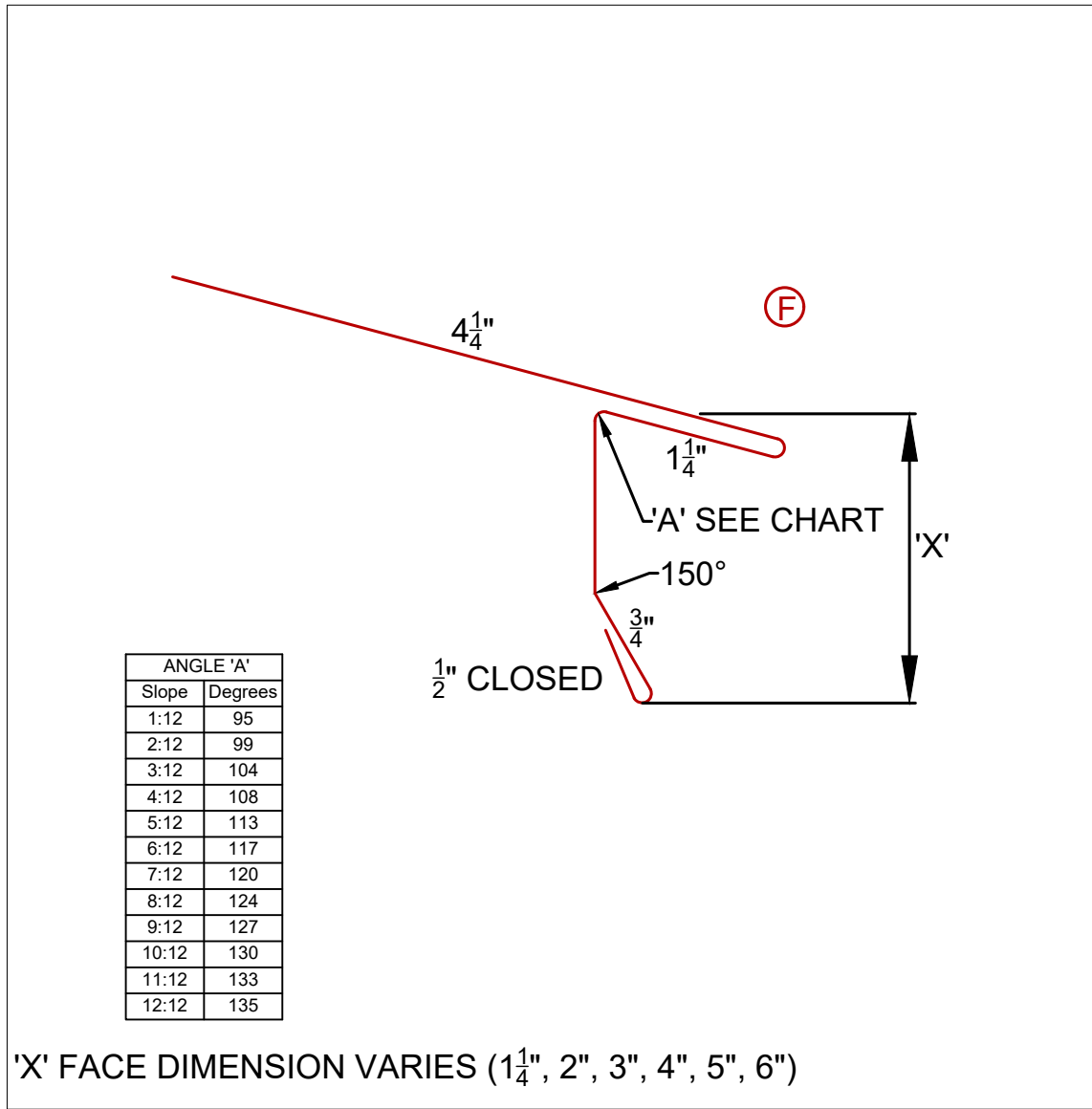
Max-150SL Standing Seam Roof Panel Trims



Customer:

Project:

Date:



(F) Denotes finished side.

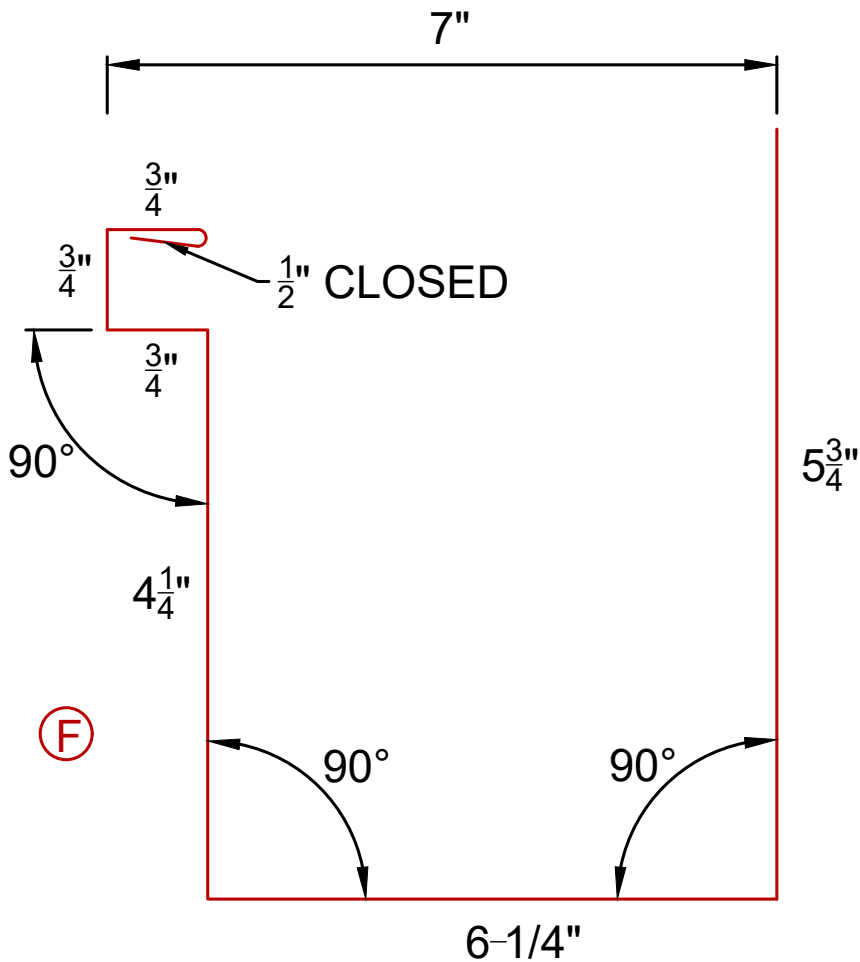


Description:		Max-150SL Extended Eave		Item ID:
Material:	Gauge:	Color:		
Blank Width:	Part Length:	Quantity:	Slope:	
VARIES				

Customer:

Project:

Date:



(F) Denotes finished side.



Description:

Max-150SL 7" Gutter

Item ID:

Material:

Gauge:

Color:

Blank Width:

19"

Part Length:

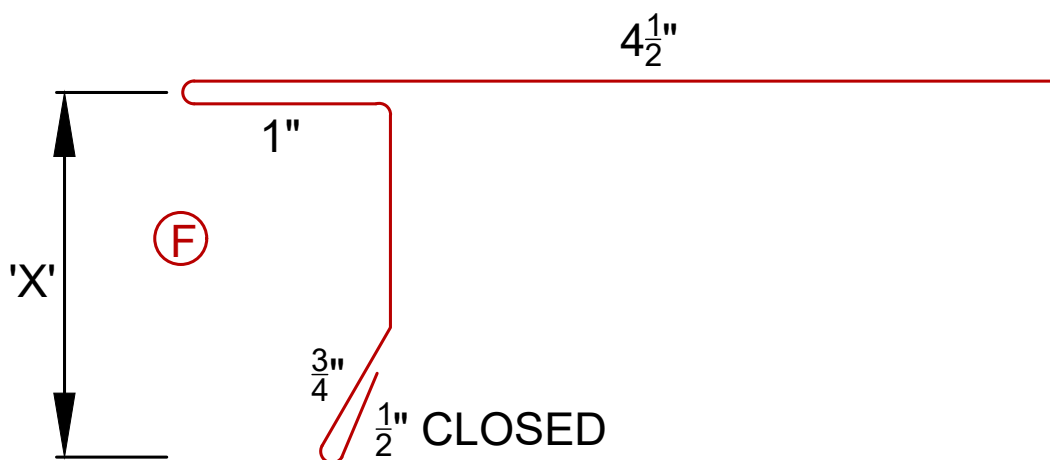
Quantity:

Slope:

Customer:

Project:

Date:



'X' FACE DIMENSION VARIES (2", 3", 4", 5", OR 6")

ⓕ Denotes finished side.

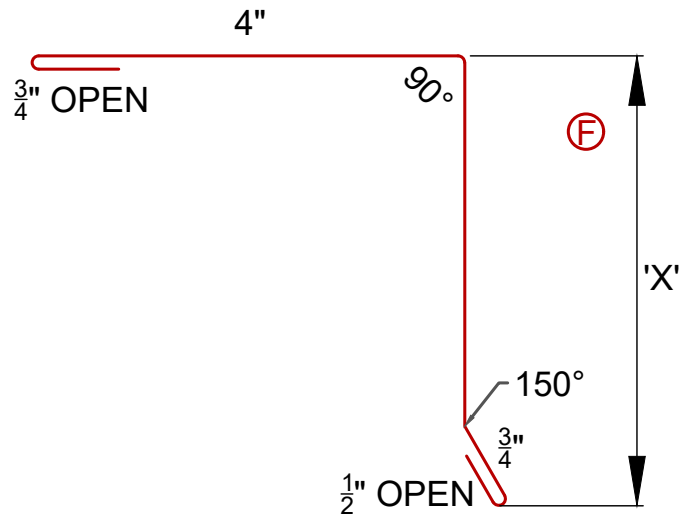


Description:		Max-150SL Extended Gable		Item ID:
Material:	Gauge:	Color:		
Blank Width:	Part Length:	Quantity:	Slope:	
VARIES				

Customer:

Project:

Date:



'X' FACE DIMENSION VARIES ($4\frac{1}{4}$ ", $5\frac{1}{4}$ ", OR $6\frac{3}{4}$ ")

ⓕ Denotes finished side.

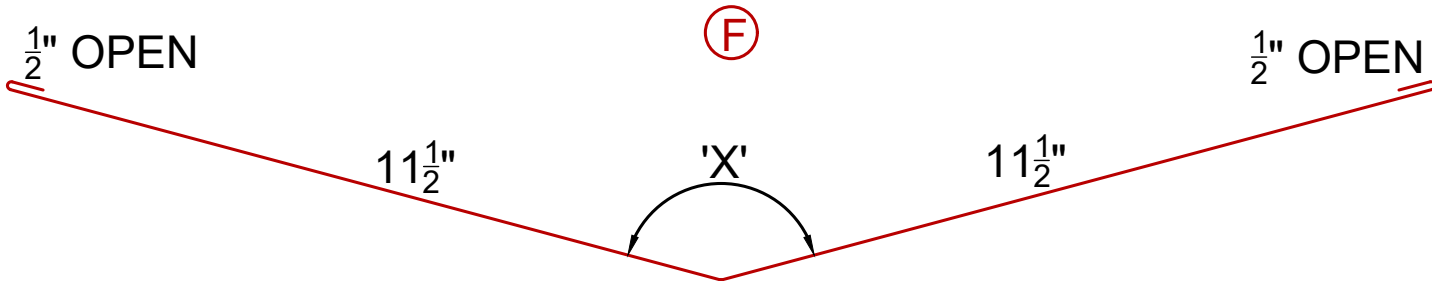


Description:		Max-150SL Box Gable		Item ID:	
Material:	Gauge:	Color:			
Blank Width:	Part Length:	Quantity:	Slope:		
VARIES					

Customer:

Project:

Date:



ANGLE 'X'	
Slope	Degrees
1:12	173
2:12	168
3:12	160
4:12	154
5:12	148
6:12	143
7:12	139
8:12	135
9:12	130
10:12	126
11:12	123
12:12	120

F Denotes finished side.



Description:		Max-150SL Valley		Item ID:
Material:	Gauge:	Color:		
Blank Width:	Part Length:	Quantity:	Slope:	
24"				

Customer:

Project:

Date:

4 $\frac{3}{4}$ "

ⓕ

'X'

$\frac{3}{4}$ " OPEN

'X' FACE DIMENSION VARIES (2 $\frac{1}{2}$ " OR 4")

ⓕ Denotes finished side.



Description:

Max-150SL Sidewall

Item ID:

Material:

Gauge:

Color:

Blank Width:

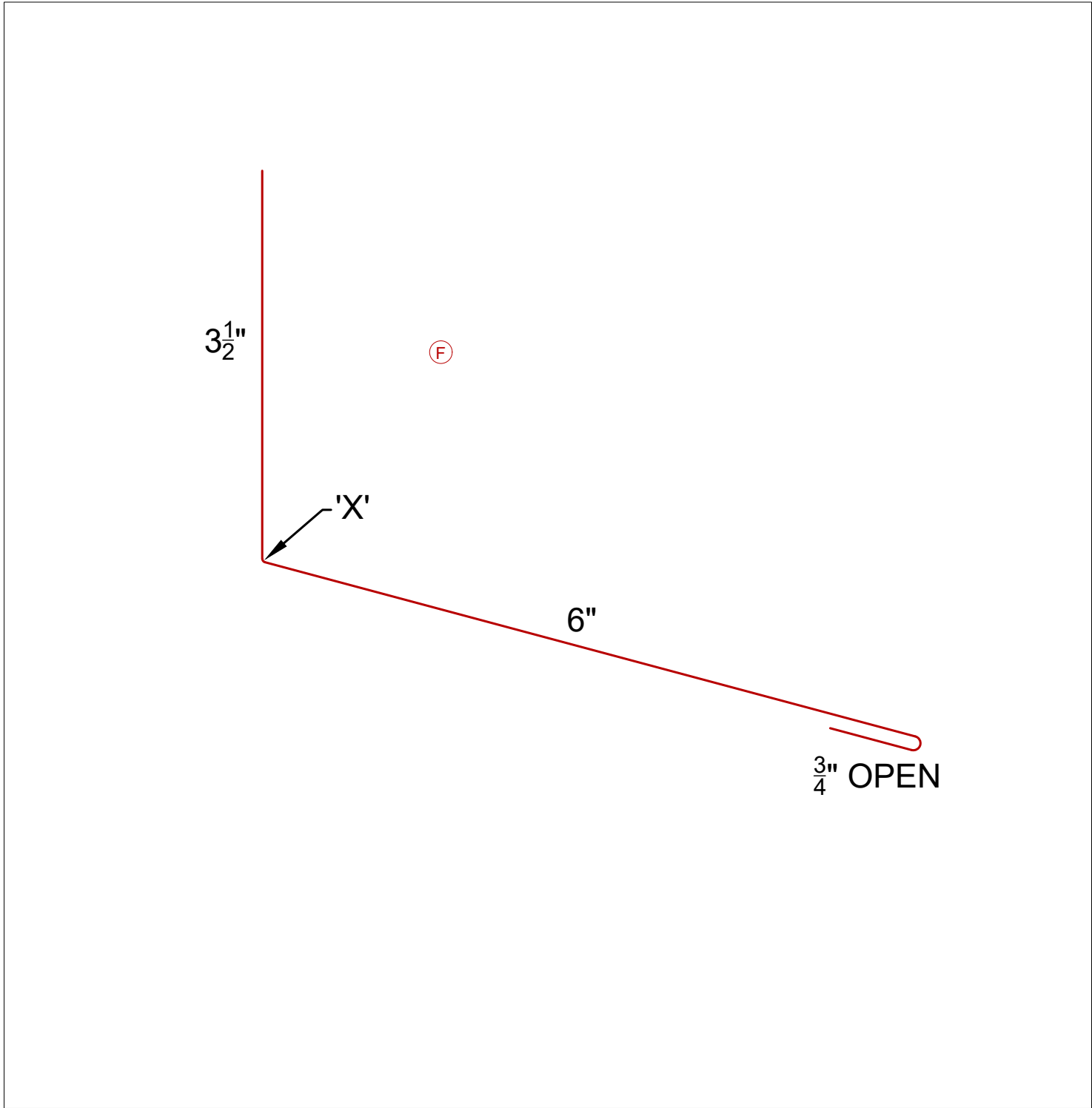
VARIES

Part Length:


Quantity:

Slope:

Customer:	Project:	Date:
-----------	----------	-------



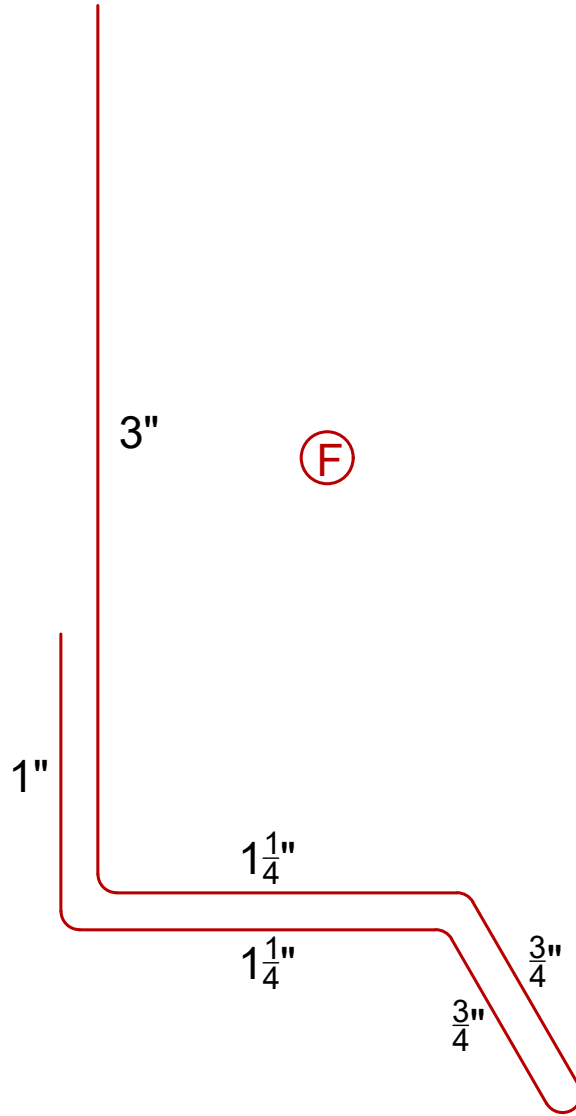
ⓕ Denotes finished side.

	Description: Max-150SL Highwall		Item ID:
	Material:	Gauge:	Color:
	Blank Width: 10 1/4"	Part Length:	Quantity:

Customer:

Project:

Date:



ⓕ Denotes finished side.

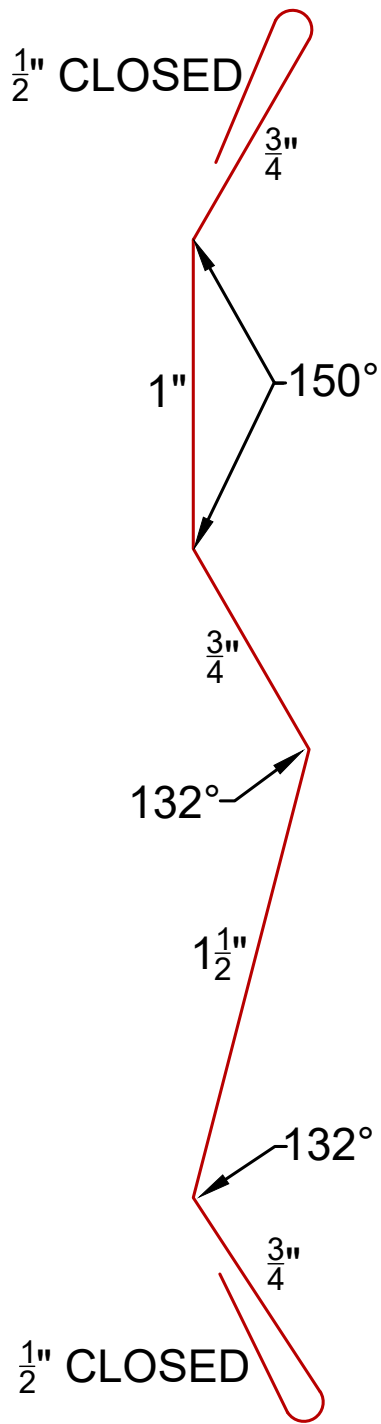


Description:		Max-150SL Sill		Item ID:
Material:	Gauge:	Color:		
Blank Width: 8"	Part Length:	Quantity:	Slope:	

Customer:

Project:

Date:



F

F Denotes finished side.



Description:

Max-150SL Surface Mount Counter-Flashing

Item ID:

Material:

Gauge:

Color:

Blank Width:

$5\frac{3}{4}$ "

Part Length:

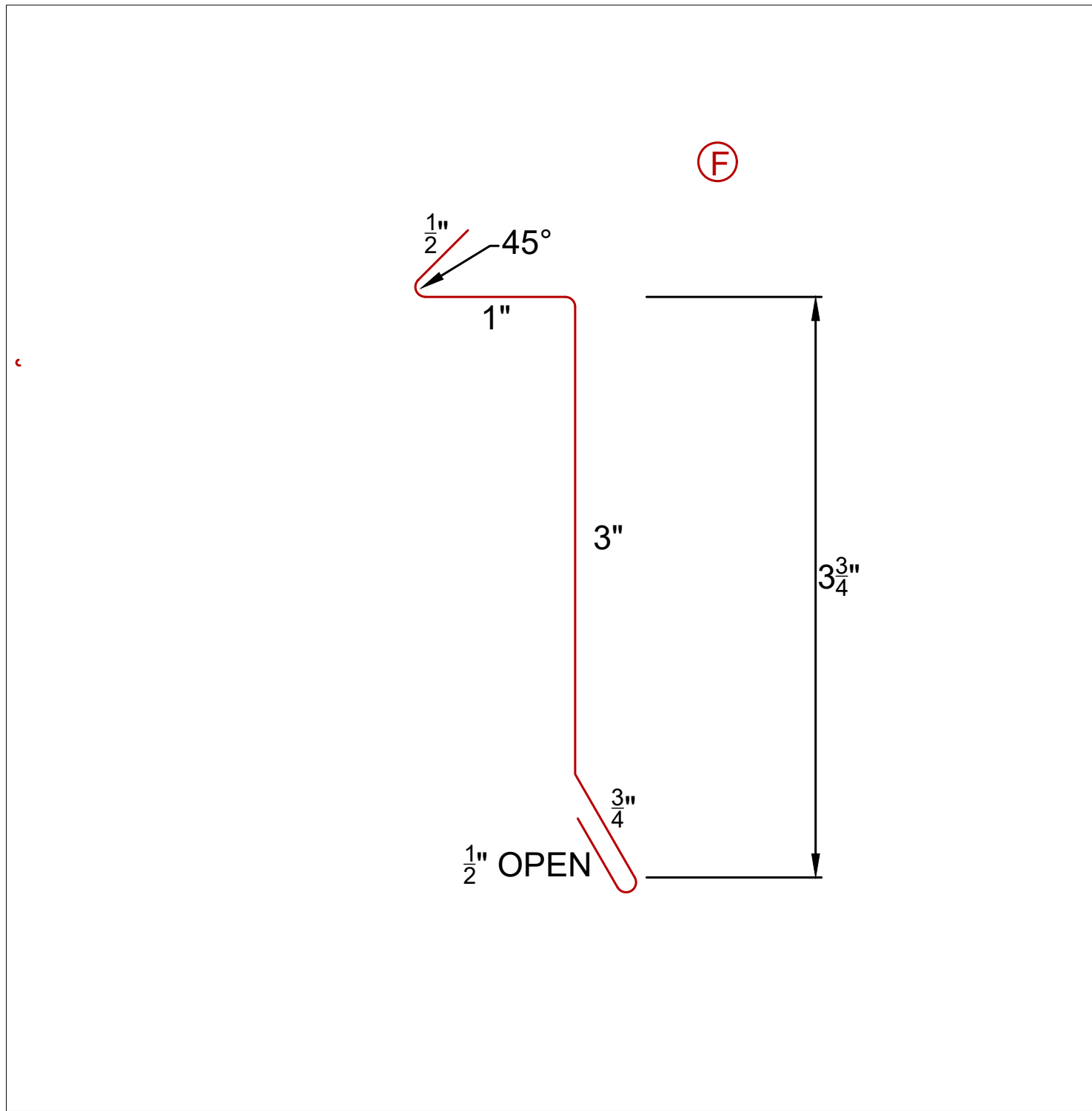
Quantity:

Slope:

Customer:

Project:

Date:



(F) Denotes finished side.

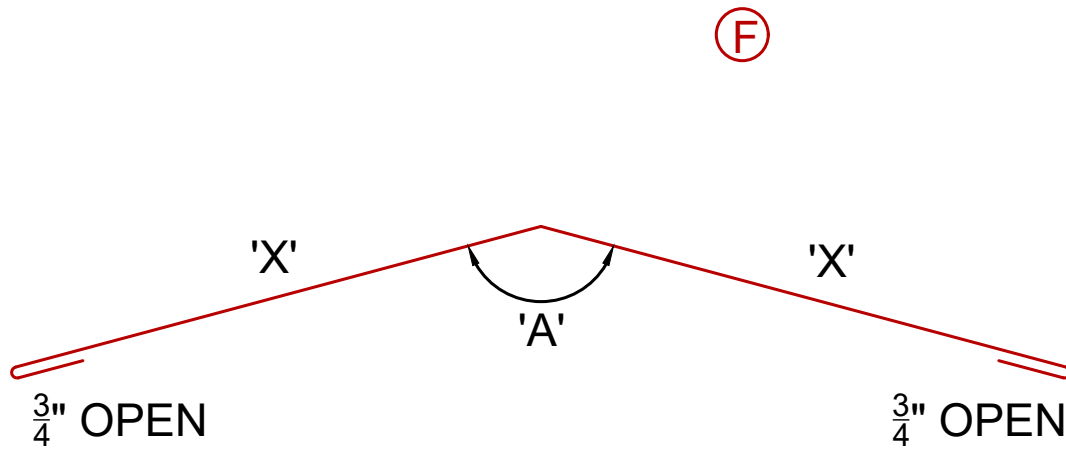


Description: Max-150SL Reglet Counter-Flashing		Item ID:	
Material:	Gauge:	Color:	
Blank Width: 5³/₄"	Part Length:	Quantity:	Slope:

Customer:

Project:

Date:



ANGLE 'A'	
Slope	Degrees
1:12	173
2:12	168
3:12	160
4:12	154
5:12	148
6:12	143
7:12	139
8:12	135
9:12	130
10:12	126
11:12	123
12:12	120

'X' FACE DIMENSION VARIES ($5\frac{1}{4}$ " , $6\frac{1}{4}$ " , OR $7\frac{1}{4}$ ")

(F) Denotes finished side.



Description:

Max-150SL Hip and Ridge Cap

Item ID:

Material:

Gauge:

Color:

Blank Width:

VARIES

Part Length:

Quantity:

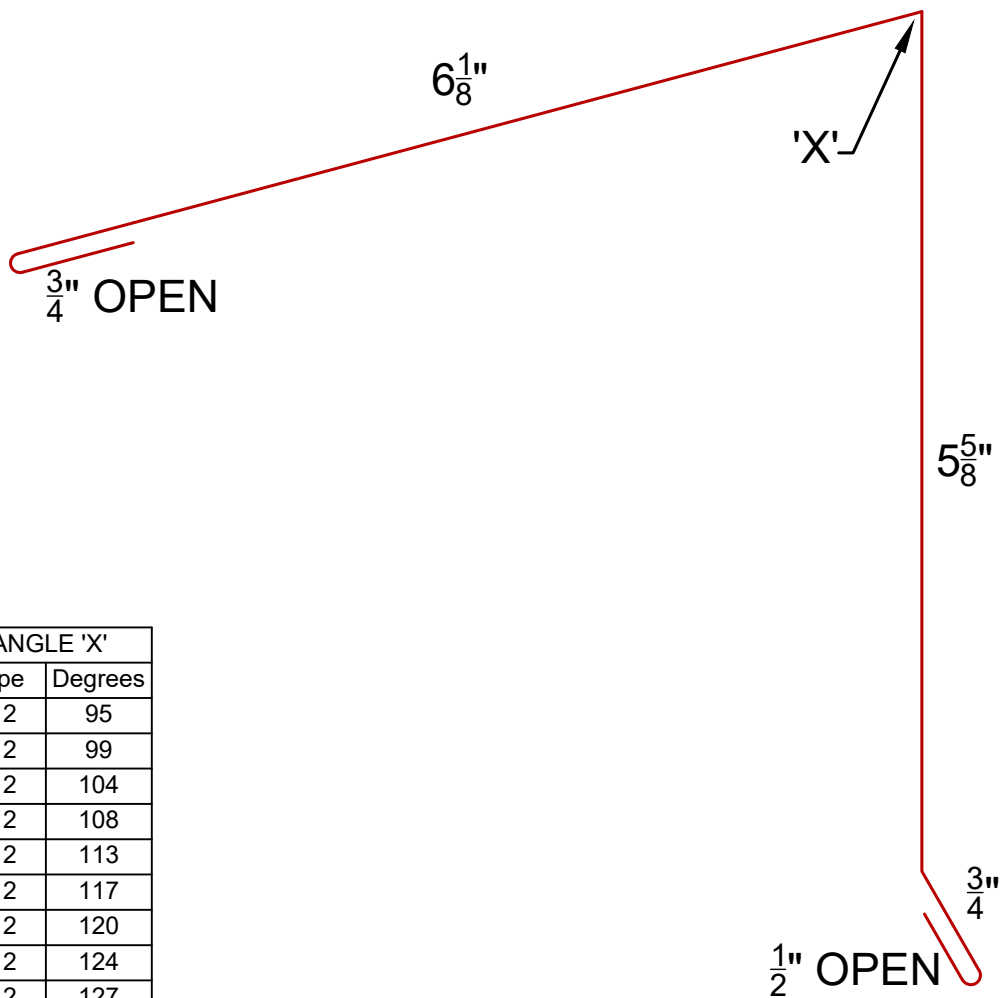
Slope:

Customer:

Project:

Date:

F



ANGLE 'X'	
Slope	Degrees
1:12	95
2:12	99
3:12	104
4:12	108
5:12	113
6:12	117
7:12	120
8:12	124
9:12	127
10:12	130
11:12	133
12:12	135

F Denotes finished side.

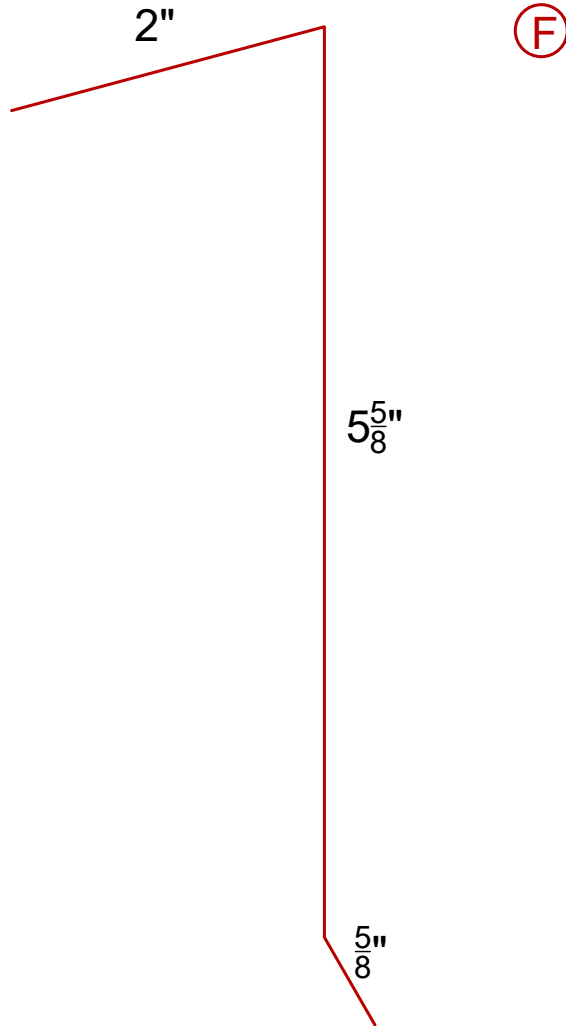


Description: Max-150SL Peak / High Side Eave		Item ID:	
Material:	Gauge:	Color:	
Blank Width: $13\frac{3}{4}$ "	Part Length:	Quantity:	Slope:

Customer:

Project:

Date:

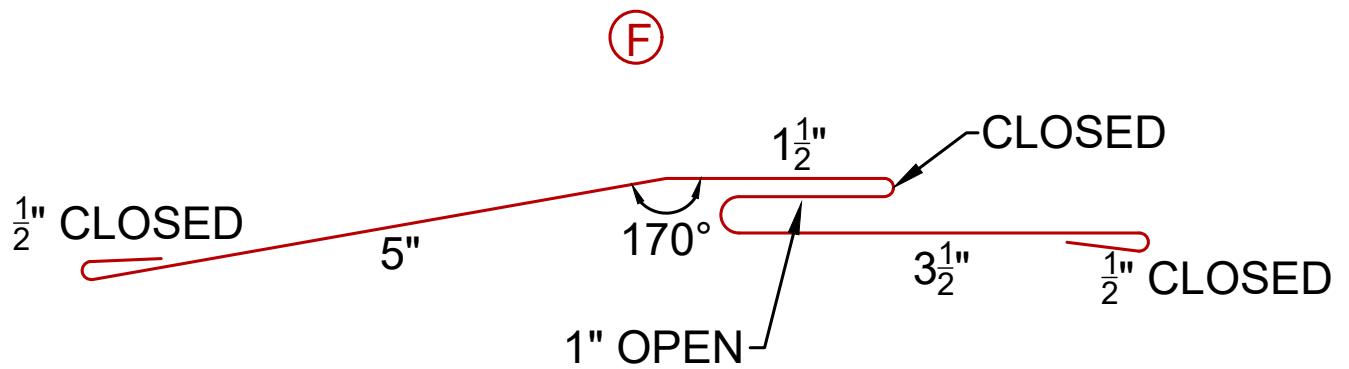


(F) Denotes finished side.



Description:		Max-150SL Peak Cleat		Item ID:	
Material:		Gauge:	Color:		
Blank Width: 8 ¹ / ₄ "		Part Length:		Quantity:	Slope:

Customer:	Project:	Date:
-----------	----------	-------



ⓕ Denotes finished side.

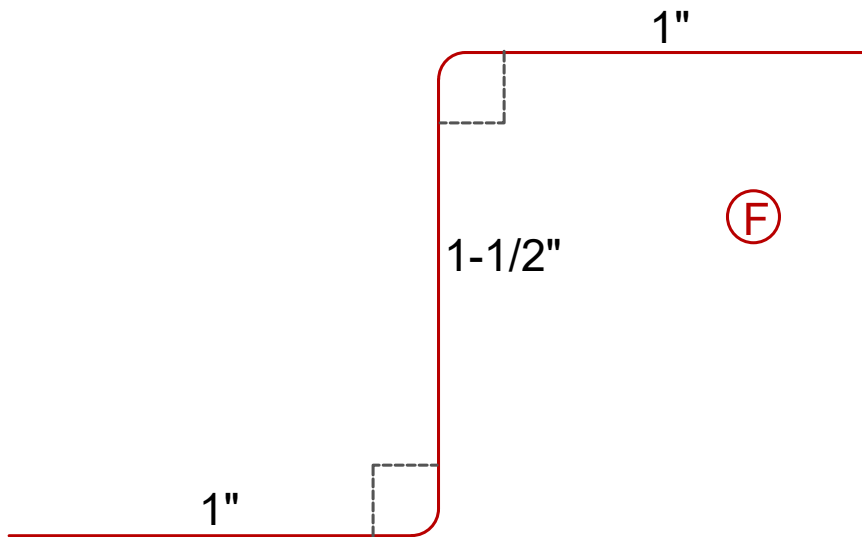


Description: Max-150SL Transition @ Roof Membrane		Item ID:	
Material:	Gauge:	Color:	
Blank Width: 12"	Part Length:	Quantity:	Slope:

Customer:

Project:

Date:



ⓕ Denotes finished side.



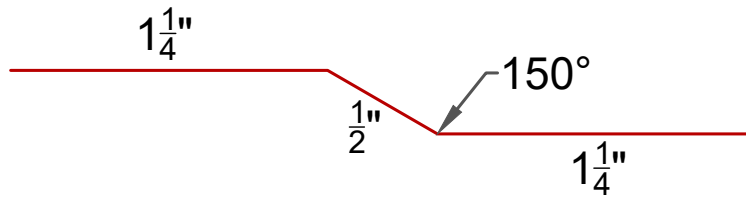
Description:		Max-150SL Zee Closure		Item ID:
Material:	Gauge:	Color:		
Blank Width:	3-1/2"	Part Length:	Quantity:	Slope:

Customer:

Project:

Date:

ⓕ



Description:

Max150SL Offset Cleat

Item ID:

Material:

Gauge:

Color:

Blank Width:

3"

Part Length:

Quantity:

Slope:

Customer:

Project:

Date:

ⓕ

2³/₈"

5⁵/₈"

ⓕ Denotes finished side.

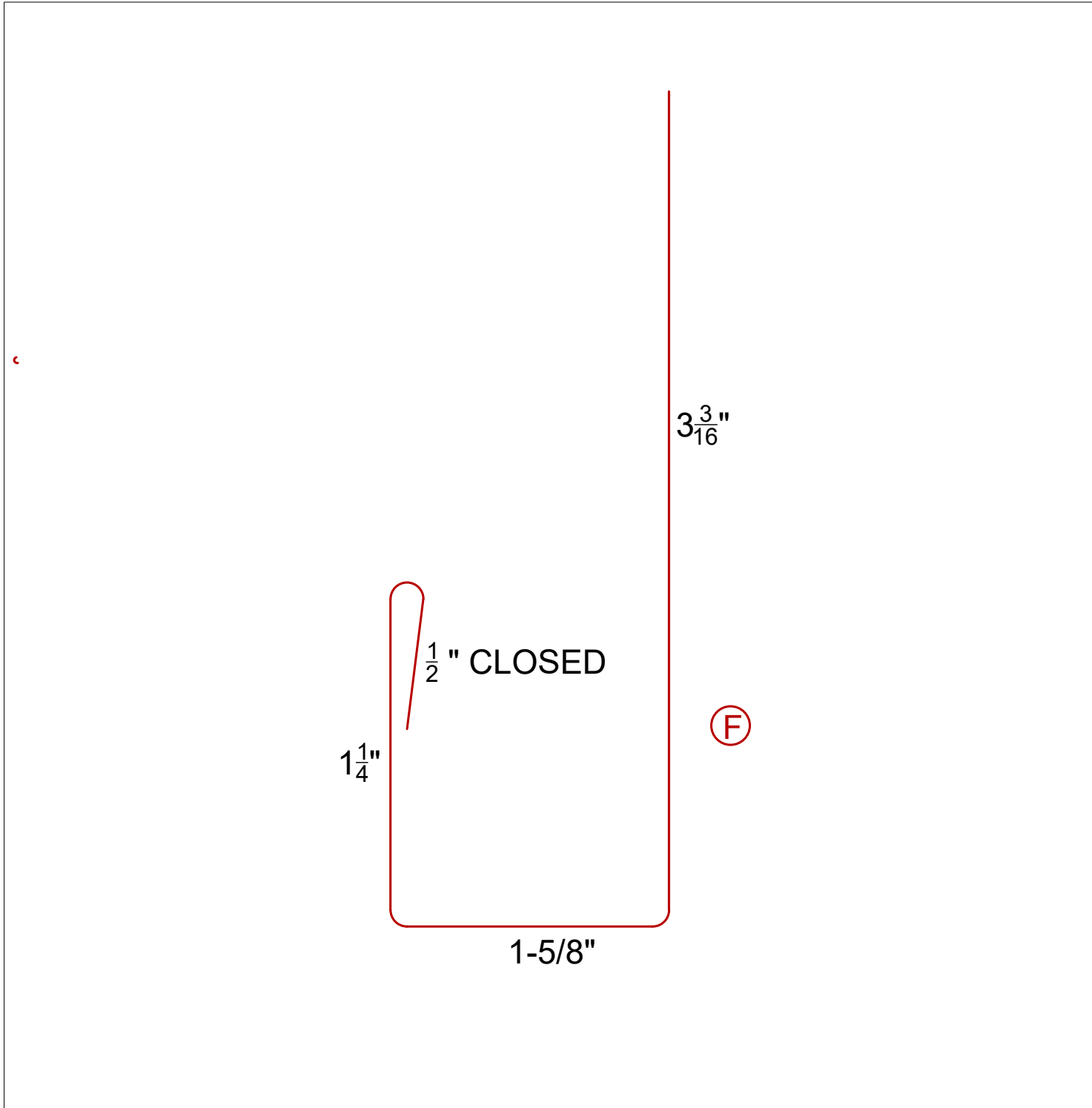


Description:		Max-150SL Fascia Cleat		Item ID:	
Material:		Gauge:	Color:		
Blank Width: 3"		Part Length:		Quantity:	Slope:

Customer:

Project:

Date:



F Denotes finished side.



Description: Max-150SL 1-5/8" J-Channel		Item ID:	
Material:	Gauge:	Color:	
Blank Width: 6-7/8"	Part Length:	Quantity:	Slope:




Max-150SL Custom Trim Sheet

To be used if a Custom Trim is Required



Customer:	Project:	Date:
-----------	----------	-------

F Denotes finished side.

	Description:		Custom Trim		Item ID:
	Material:	Gauge:	Color:		
	Blank Width:	Part Length:	Quantity:	Slope:	

If you have any questions or concerns please contact the MetalMax location nearest you.

Thank You for your business!

